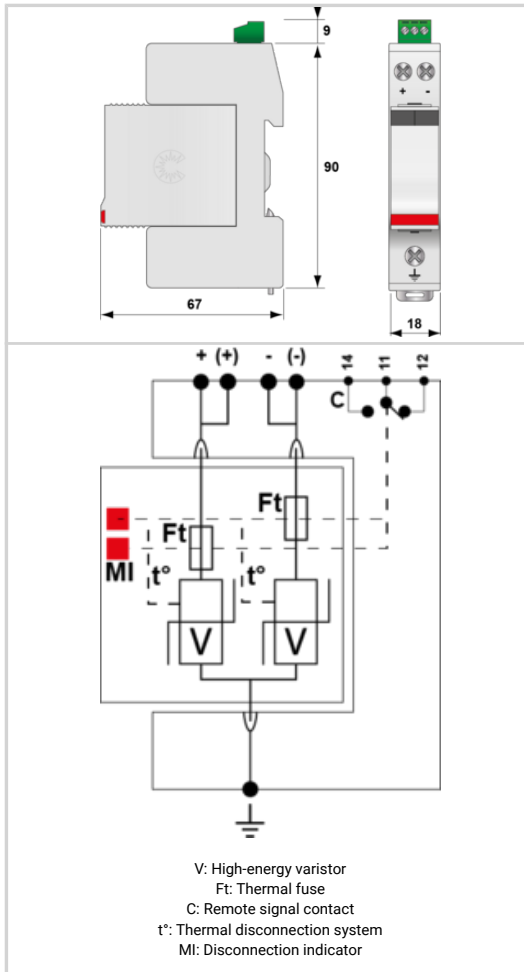




- ▷ DC power surge protector
- 24Vdc
- I_{max}:20kA
- Pluggable module
- Remote signaling
- Very low Up protection level



Electrical Characteristics		
Network		DC or PV network 24Vdc
Max. DC operating voltage	U _c	38 Vdc
Max. load current @25°C	I _L	50 A
Total Maximum discharge current max. total withstand @ 8/20 μs	I _{max} Total	40 kA
Protection mode(s)		Common mode
Protection level +/-PE (-/PE) @ I _n (8/20μs)	U _p	250 V
POWER SPD TYPE		UL1449 5th Ed. TYPE 4CA
VOLTS	(V)	24
AC/DC/DC PV/RF		DC
PHASE	(PH)	-
AMPS	(A)	N/A
AMBIENT MIN	(C)	-40
AMBIENT MAX	(C)	+85
MODES		DC+DC-DC+G,DC-G
MLV DC	(V)	580/560/490
MCOV	(V)	38/38/38
I _N 15 impulses 8/20μs	(kA)	10
SCCR	(kA)	n/a
I _{MAX} 8/20μs	(kA)	20
Mechanical Characteristics		
Technology		MOV
Connection to Network		By screw terminals: 1.5-10mm ² (actives wires) and 2.5-25mm ² (ground)
Format		Plug-in modular box
Failsafe mode		Disconnection from DC network
TECHNOLOGY		MOV
NETWORK CONFIGURATION		2W+G
CONNECTION METHOD		SPD-Screw Terminal (8-12AWG), Terminal blocks 6AWG
MOUNTING		DIN RAIL
MATERIAL		Thermoplastic UL94-V0
NEMA RATING (IP RATING)		NEMA 2 (IP20)
FAIL-SAFE BEHAVIOR		Disconnection via fuse-link
REAL-TIME DIAGNOSTICS		Visual indicator and remote contacts
DIMENSIONS		See diagram
WEIGHT		0.30 lbs
SPARE PART		DSM220-24DC
Standards		
Certification		UL Recognized
UL STANDARD		UL1449 5th Edition
UL CATEGORY		VZCA2, VZCA8
UL FILE NUMBER		E326289
STANDARDS		IEC 61643-11, NOM-003-SCFI-2014, NOM-001-SCFI-1993
ENVIRONMENTAL STANDARDS		ROHS
Part number		
390511		



Mouser Electronics

Authorized Distributor

Click to View Pricing, Inventory, Delivery & Lifecycle Information:

[Citel:](#)

[DS220S-24DC](#)