



One Henkel Way  
Rocky Hill, CT 06067  
Technical Information Help Line 1-800-562-8483  
www.equipment.loctite.com

## Product Description Sheet Loctite® HM20 PUR Dispense System

North American Engineering Center

### PRODUCT DESCRIPTION

The Loctite® HM20PUR Dispense System is designed to dispense dots or beads of Loctite® PUR Hot Melt adhesive products packaged in 30ml syringe barrels. The system consists of a Controller, Dispense Head, Pre Heater and a needle preheater. The controller is an electro-pneumatic device to precisely control the amount of air pressure applied to the syringe barrel for a set time period to deliver a consistent amount of adhesive each time the system is actuated. The Controller has two heating circuits that can be used to heat two Dispense heads at the same time or (1) Dispense Head and (1) Pre-Heater. The system is designed to be used with Loctite® Benchtop Robots or can integrate into any stationary work cell.

Loctite® EQ HM20 PUR Controller-2033850



Loctite® EQ HM20 PUR Syringe Preheater-2033861



Loctite® HM20 PUR Dispense Head -2016756





One Henkel Way  
Rocky Hill, CT 06067  
Technical Information Help Line 1-800-562-8483  
www.equipment.loctite.com

## Product Description Sheet Loctite® HM20 PUR Dispense System

North American Engineering Center

The Loctite® SD15 Heat Controller-1667508



Loctite® HM20 PUR Needle Preheater-2033849



### PRODUCT FEATURES

- Integrated dispense time control, pressure control and temperature control features into one system
- Two independent temperature control channels: designed to control either the Loctite® HM20 PUR Dispense Head or Loctite® HM20 PUR Pre Heater
- Operation temperature goes to 180°C.
- Digital control for dispense head and pre heater temperature and dispense timer
- Analog air pressure regulator for syringe pressure control, 0-100 psi (7 bar)
- Dispense sequence can be foot switch actuated or externally actuated via another control source like a PLC
- Auto dispense mode for timed dispense control of beads or drops
- Manual dispense mode for variable volume applications
- PPS safety shroud on dispense head
- Reduced material change over time when used with Loctite® HM20 PUR Pre Heater



One Henkel Way  
 Rocky Hill, CT 06067  
 Technical Information Help Line 1-800-562-8483  
 www.equipment.loctite.com

## Product Description Sheet Loctite® HM20 PUR Dispense System

North American Engineering Center

### TECHNICAL DATA

Attribute		Value
Dispense Time Range		0 – 99.99 seconds
Operation Temperature		~180°C
Air Input		Clean, dry air not to exceed 125 psig (8.5 bar), and filtered with a maximum of 50 micron
Regulation Range of the Pressure Regulator		0 – 7 bar (0 – 100 PSI)
Power		Supply: 230 V / 50 – 60 Hz, 2.0A Internal: 24 VDC
Controller Dimensions	Width	250 mm
	Depth	160 mm
	Height	265 mm
Dispense Head Weight		710 g
Min Flow Rate (25 ga tip)		1 mg/sec*
Max Flow Rate (18 ga tip)		73 mg/sec*

\* For reference only, this is not a specification. Flows rate were established dispensing Loctite® 3542.

### SD15 Heat Controller 1667508

Attribute		Value
Power		Supply:220VAC/50-60 Hz Internal:24VDC
Dimensions	Width	127 mm
	Depth	194 mm
	Height	73 mm
Operation Temperature		+ 10°C to + 40°C
Storage temperature		- 10°C to + 60°C
Weight		1.5KG

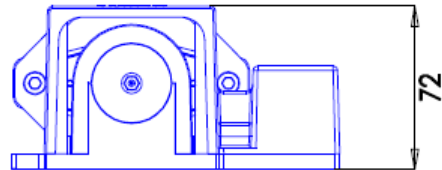
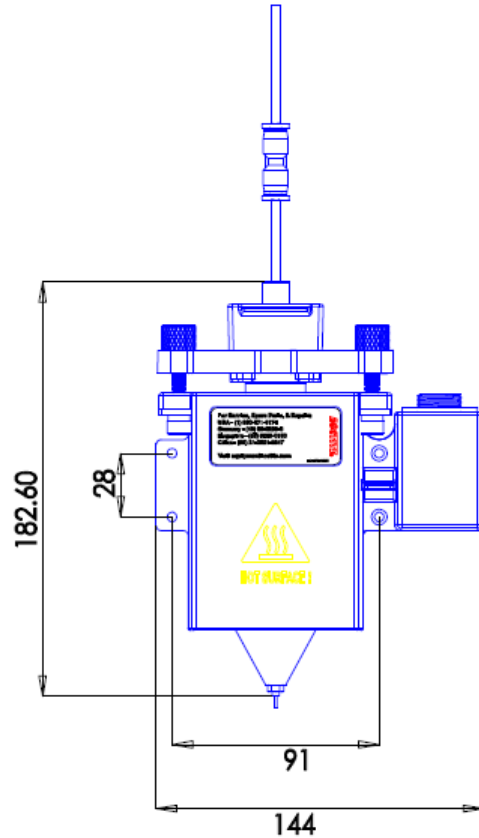
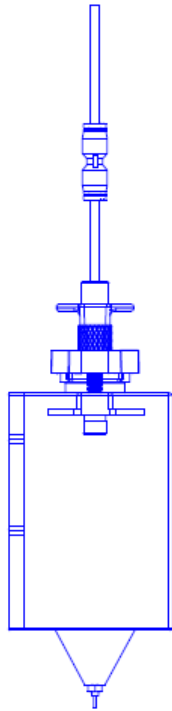


One Henkel Way  
Rocky Hill, CT 06067  
Technical Information Help Line 1-800-562-8483  
www.equipment.loctite.com

# Product Description Sheet Loctite® HM20 PUR Dispense System

North American Engineering Center

## Loctite® HM20 PUR Dispense Head –2016756



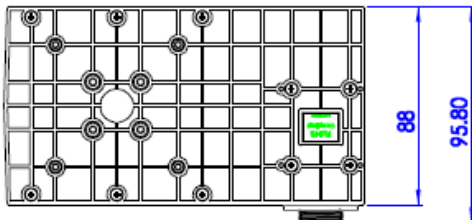
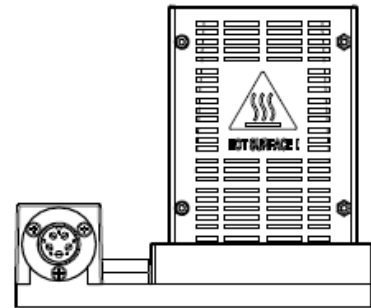
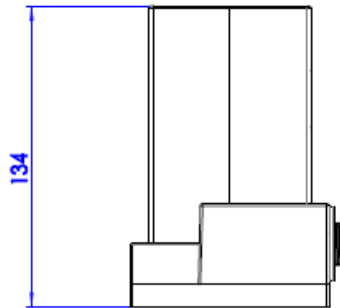
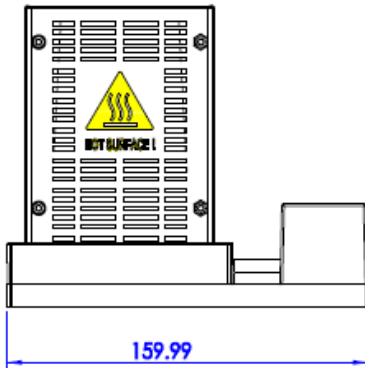
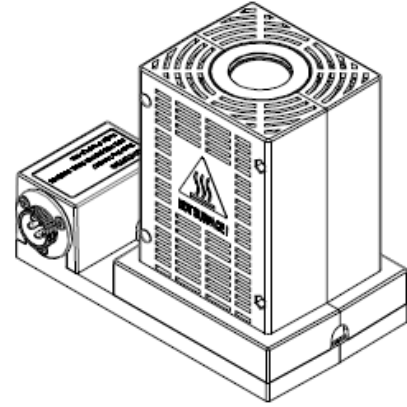
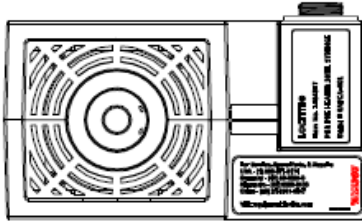


One Henkel Way  
Rocky Hill, CT 06067  
Technical Information Help Line 1-800-562-8483  
www.equipment.loctite.com

## Product Description Sheet Loctite® HM20 PUR Dispense System

North American Engineering Center

### Loctite® EQ HM20 PUR Syringe Preheater-2033861



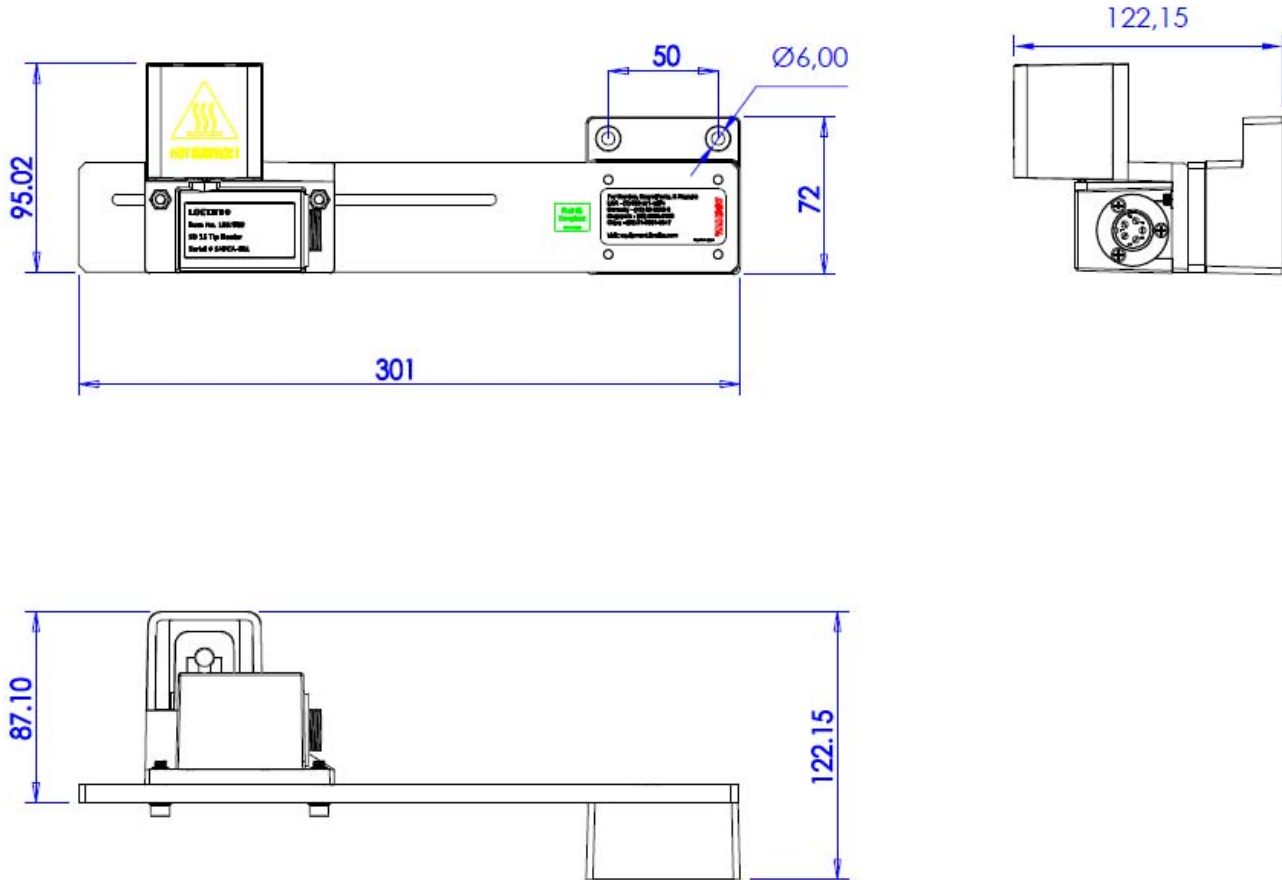


One Henkel Way  
Rocky Hill, CT 06067  
Technical Information Help Line 1-800-562-8483  
www.equipment.loctite.com

## Product Description Sheet Loctite® HM20 PUR Dispense System

North American Engineering Center

### Loctite® HM20 PUR Needle Preheater-2033849



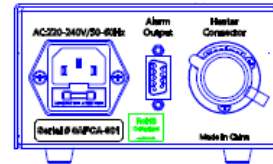
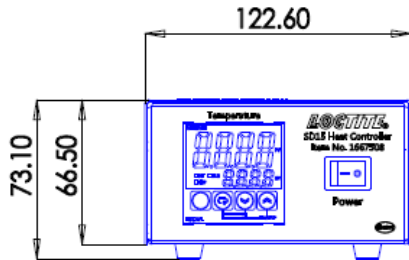
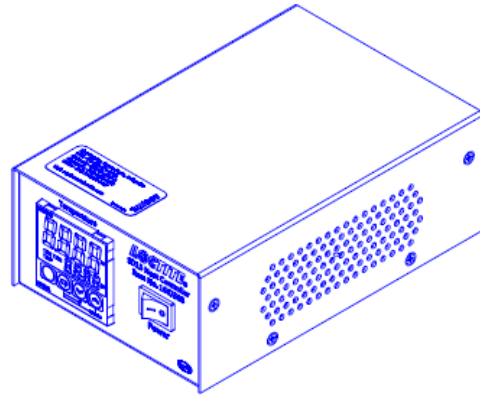
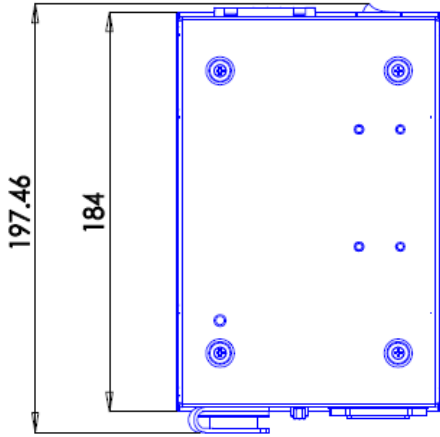


One Henkel Way  
 Rocky Hill, CT 06067  
 Technical Information Help Line 1-800-562-8483  
 www.equipment.loctite.com

## Product Description Sheet Loctite® HM20 PUR Dispense System

North American Engineering Center

### SD15 Heat Controller: 1667508



### Needles Tips and Accessories (not shown)

Loctite Part Number	Description
985397	Loctite® Air Filter, Regulator, Gauge
97201	Foot Switch Assembly
1483249	Needle—All SS, 1/2" 18G
1483250	Needle—All SS, 1/2" 20G
1483262	Needle—All SS, 1/2" 21G
1483264	Needle—All SS, 1/2" 23G
1483265	Needle—All SS, 1/2" 25G
1500889	Needle—All SS, 1/2" 19G
8902749	PUR Dispensing Head Cable



# Mouser Electronics

Authorized Distributor

Click to View Pricing, Inventory, Delivery & Lifecycle Information:

[Loctite:](#)

[2016756](#) [2033850](#) [2033861](#)