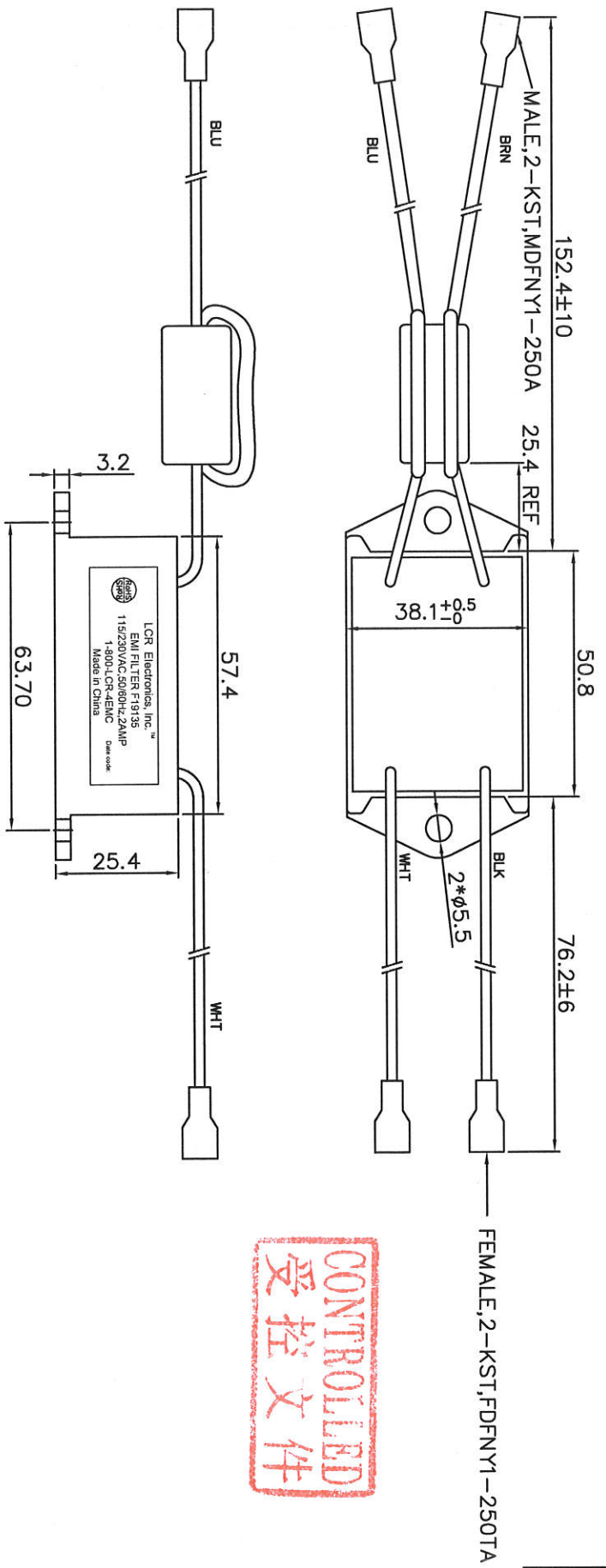


LCR PROPRIETARY AND CONFIDENTIAL STATEMENT
 This Document contains confidential and proprietary information of LCR Electronics (Kunshan) Co., Ltd. and / or LCR Electronics Inc. ("LCR") and may not be used, re-produced or disclosed, in whole or in part, to any other party for any purpose without the expressed written permission of LCR. When and if this document is provided by LCR, it is provided solely to assist the recipient / user with their internal procedures and / or certification approval efforts.

REVIEWS		REVISIONS		
REV	ECN	DESCRIPTION	DATE	BY
1.0		First Revision	2/1/10	Zhou Jie
2.0	20150808	Updated tolerance	6/8/15	Caiyuan

DWG. No.:D-050.00209.00



CONTROLLED
受控文件

- NOTES:**
1. Rating: 115/230VAC, 50/60Hz, 2AMP.
 2. Can: PBT, UL94V-0 130°C, Black.
 3. Wire: PVC wire, UL1015, 600V 105°C, 20AWG.
 4. All wire lengths are measured from outside of the container to end of wires.
 5. Product should be compliant with RoHS directive

UNLESS OTHERWISE SPECIFIED		DWN BY		6/8/15	
BREAK ALL SHARP EDGES		CHK'D BY		Caiyuan	
REMOVE ALL BURRS		APP'D BY		6.8	
DIMENSIONS ARE IN mm		SCALE		1/1	
TOLERANCES ARE:		CAGE CODE:			
DEC. XX=±1.0					
FRA. XX=±0.5					
ANG=					
THIRD ANGLE PROJECTION		USED ON			
F19135					
LCR ELECTRONICS (KUNSHAN) CO., LTD. 601 Hengchanghai Road, Kunshan City, Jiangsu Province, China					
TITLE:		Outline for EMI Filter			
MATERIAL:					
FINISH:					
DRAWING No.:		D-050.00209.00			
REV		2.0			

Mouser Electronics

Authorized Distributor

Click to View Pricing, Inventory, Delivery & Lifecycle Information:

[Astrodyne TDI:](#)

[F19135](#)