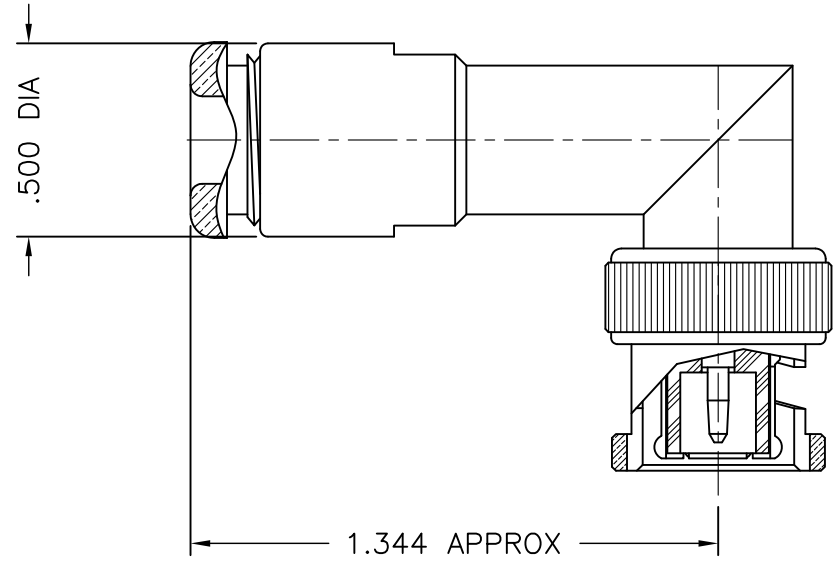
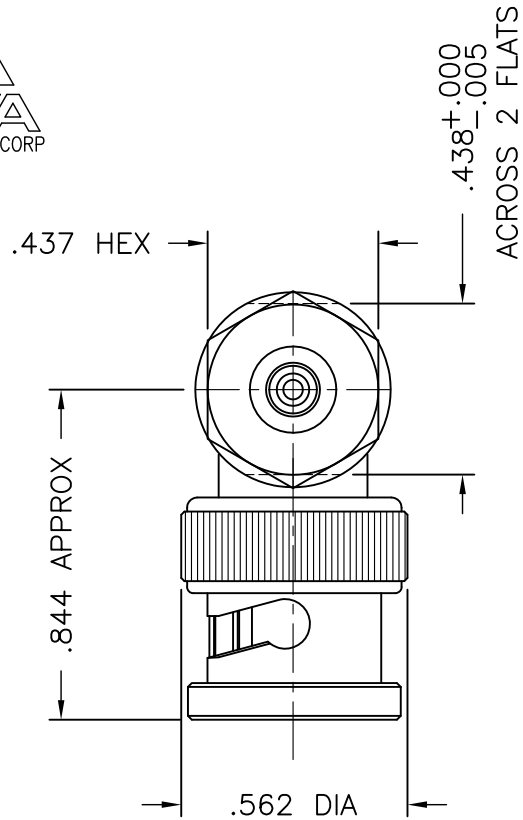




1004-115-A00E



NOTES:

1. ASSEMBLED CONNECTOR INTERFACE IS DESIGNED IN ACCORDANCE WITH MIL-STD-348.
2. MATERIAL: CABLE CONTACT- BRASS PER ASTM B16
 90° CONTACT- BERYLLIUM COPPER PER ASTM B196.
 GASKETS- SILICONE RUBBER PER A-A-59588
 INSULATORS- TEFLON PER ASTM D4894
 ALL OTHER METAL PARTS- BRASS PER ASTM B16
3. FINISHES: CONTACTS- GOLD PLATE PER ASTM B488
 ALL OTHER METAL PARTS- SILVER PLATE PER ASTM B700

M39012/20-0108

UNLESS OTHERWISE SPECIFIED: TOLERANCES: 3 PLACES = ±.005, 2 PLACES = ±.02, ANGLES = ±1/2°

-	OUTLINE	11/20/08
ALT.	REVISIONS	DATE

DELTA ELECTRONICS MFG. CORP. Beverly, MA 01915				
TITLE: 'BNC' RIGHT ANGLE CLAMP PLUG FOR RG-302/U CABLE				
Drawn by MR 11/20/08	Scale 2/1	Ckd. by BJM	Engr Appd MR	FILE NAME: 1004115A00E-000T

THESE DRAWINGS AND SPECIFICATIONS ARE THE PROPERTY OF DELTA ELECTRONICS MFG CORP. AND SHALL NOT BE REPRODUCED, OR COPIED OR USED AS THE BASIS FOR THE MANUFACTURE OR SALE OF APPARATUS OR DEVICES WITHOUT THEIR EXPRESS WRITTEN CONSENT.

CODE IDENT.-00795 1004-115-A00E

Mouser Electronics

Authorized Distributor

Click to View Pricing, Inventory, Delivery & Lifecycle Information:

[Delta Electronics Mfg Corp:](#)

[1004115A00E-000](#)