

PUZZLE-IN002

1U Rackmount Network Appliance with 8th & 9th Generation Intel® Core™ i7/i5/i3, Pentium® or Celeron® Processor, 1 PCIe slots



Features

- 8th & 9th Generation Intel® Core™ i7/i5/i3, Pentium® or Celeron® processor
- 6 x GbE RJ45 via Intel® I211
- 2 x DDR4 2400MHz Non-ECC UDIMM, up to 32GB
- 1 x RJ45 Console, 2 x USB 3.2 Gen 1 (5Gb/s), LCM
- 2 x 2.5" SATA drive bay, 1 x M.2 A key (PCIe & USB 2.0), 1 x PCIe Mini card (SATA, USB 2.0) with SIM slot
- Support PCIe x16

Specifications

| | | PUZZLE-IN002-i3T | PUZZLE-IN002-PGT |
|----------------------------|--|---|--|
| Platform | Form Factor | 1U | |
| | CPU | 8th Generation Intel® Core™ i3-8100T processor, 4C/4T, up to 3.10 GHz | Intel® Pentium® Gold G5400T processor, 2C/4T, up to 3.10 GHz |
| | Chipset | Intel® H310 | |
| Memory | Memory Technology | 2 x DDR4 2400MHz Non-ECC UDIMM | |
| | Memory Capacity | Up to 32GB | |
| | Memory Socket | 2 x 288-pin DIMM | |
| Network and Security | Network Acceleration and Security Function | <ul style="list-style-type: none"> • Intel® AES New Instructions • Intel® Software Guard Extensions (Intel® SGX) • Intel® Memory Protection Extensions (Intel® MPX) • Intel® Trusted Execution Technology | |
| | TPM | 1 x TPM 2.0 pin header | |
| Networking | Ethernet IC | 1 GbE NIC: Intel® I211-AT | |
| | Ethernet Port | 6 x 1GbE RJ45 LAN ports | |
| | Network Module Slot | N/A | |
| Expansion Slot | PCIe Slot | 1 x PCIe 3.0 x16 (FHHL) slot (double width) | |
| | PCIe Mini Card Slot | 1 x PCIe Mini card (SATA 3.0, USB 2.0) with SIM slot | |
| | M.2 | 1 x M.2 A key (PCIe 2.0& USB 2.0) | |
| Storage | Storage | 2 x 2.5" SATA HDD/SSD bay support SATA 3.0 (6 Gbps) | |
| | eMMC | N/A | |
| | SD Card | N/A | |
| External I/O | USB | 2 x USB 3.2 Gen 1 (5Gb/s) | |
| | Console | 1 x RJ45 | |
| Internal I/O | HDMI | 1 x HDMI connector (optional) | |
| | USB | 2 x USB 2.0 (pin header) | |
| Power and Mechanical | Power Switch | 1 x Power switch | |
| | Reset Button | 1 x Reset button | |
| | Power Input | 100 V ~ 240 V | |
| | Type/Watt | ATX power 250W | |
| | | 90V~264V AC | |
| | Processor Cooling | 1 x Passive CPU heatsink | |
| | System Cooling | 4 x Cooling fans with smart fan | |
| Antenna Hole | 1 x Antenna hole | | |
| Physical and Environmental | Storage Temperature | -20°C ~ 75°C (-4°F ~ 167°F) | |
| | Operating Temperature | 0°C ~ 40°C (32°F ~ 104°F) | |
| | Operating Humidity | 5% ~ 90% non-condensing | |
| | Dimensions (W x L x H) (mm) | 430 x 320 x 44.2 | |
| | Weight | 5kg | |
| OS and Certifications | Certification | CE / FCC / RoHS | |
| | Operating System | Linux Ubuntu 18.04.04 CentOS 7 / Red Hat / Fedora EPEL Microsoft Windows 10 | |
| Indicators | LCM | LCM, 2 buttons | |
| | LED | 1 x Power LED, 1 x Storage LED, 1 x Alert LED | |

Ordering Information

| Part No. | Description |
|-------------------------|--|
| PUZZLE-IN002-R11* | 1U Rackmount Network Appliance support Intel® Gen 8 Core™ i7, i5, i3, Pentium® or Celeron® processor, two DDR4 slots, and six 1GbE, one PCIe x16 expansion, RoHS |
| PUZZLE-IN002-i3T-R11 | 1U Rackmount Network Appliance with Intel® Gen8 Core™ i3-8100T processor, two DDR4 slots, and six 1GbE, one PCIe x16 expansion, RoHS |
| PUZZLE-IN002-PGT-R11 | 1U Rackmount Network Appliance with Intel® Gen8 Pentium® Gold G5400T processor, two DDR4 slots, and six 1GbE, one PCIe x16 expansion, RoHS |
| PUZZLE-IN002-i3T/8G-R11 | 1U Rackmount Network Appliance with Intel® Gen8 Core™ i3-8100T processor, two 4GB DDR4, one 256GB SSD, six 1GbE, one PCIe x16 expansion, RoHS |
| PUZZLE-IN002-PGT/8G-R11 | 1U Rackmount Network Appliance with Intel® Gen8 Pentium® Gold G5400T processor, two 4GB DDR4, one 256GB SSD, and six 1GbE, one PCIe x16 expansion, RoHS |

* A CPU heatsink must be purchased separately

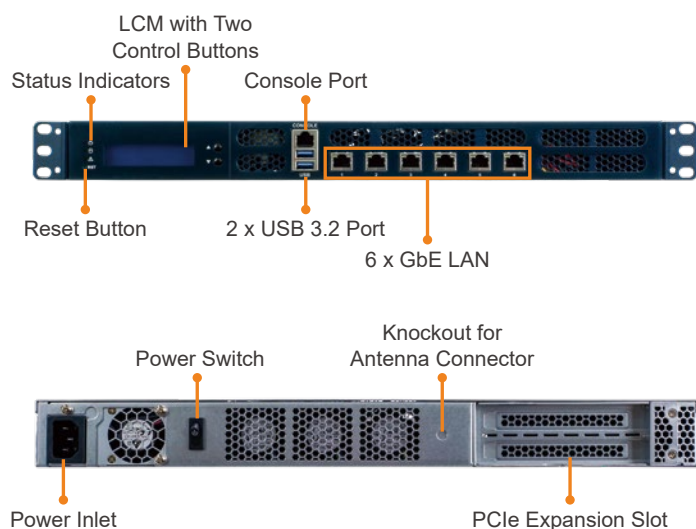
Packing List

| | PUZZLE-IN002 | PUZZLE-IN002-i3T | PUZZLE-IN002-PGT | PUZZLE-IN002-i3T/8G | PUZZLE-IN002-PGT/8G |
|-------------------------------|--------------|------------------|------------------|---------------------|---------------------|
| Power cord | 1 | 1 | 1 | 1 | 1 |
| Rack mounting ears | 2 | 2 | 2 | 2 | 2 |
| Screws for rack mounting ears | 6 | 6 | 6 | 6 | 6 |
| USB to console cable | Option | Option | Option | 1 | 1 |
| RS-232 to console cable | 1 | 1 | 1 | Option | Option |
| Slide rail | Option | Option | Option | Option | Option |

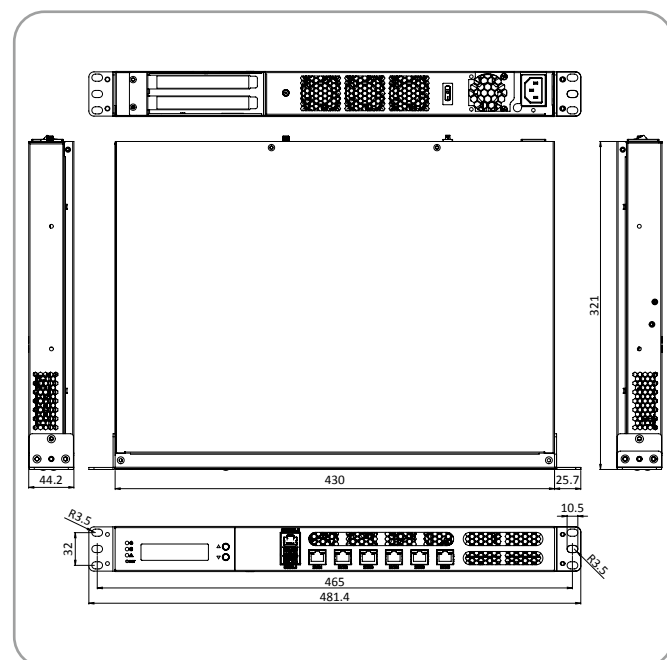
Options

| Item | Part No. | Description |
|-------------------------|---------------------|--|
| USB to console cable | 32013-004000-100-RS | ROUND CABLE; LAN CABLE; FTDI Console Cable; 2; 1800MM; (A)USB A TYPE 4P MALE+PCB:FTDI_FT232RL; (B)RJ45 8P8C; RoHS |
| RS-232 to console cable | 32005-005100-100-RS | ROUND CABLE; RS-232/422/485; PUZZLE RS-232 Cable; 2; 500MM; 24AWG; (A)D-SUB 9P MALE+#4-40 Screw; (B)RJ45 PLUG 8P8C; ONE PCS PKG; TC&C; RoHS |
| HDMI cable | 19B00-000403-00-RS | Z532; Accessory module; PUZZLE series HDMI cable assembly (only processor support graphics model); standard; 00, RoHS |
| Heatsink (TDP: 35W) | 34000-000731-RS | HEATSINK; 90*90*27MM, GREASE:35*35mm_K=6.5; Washer*4+SPING SCREW Set*4, for CPU TDP 35W; RoHS |
| Heatsink (TDP: 80W) | 34000-000722-RS | HEATSINK/Heat Pipe; FIN:89.5X88.4X20MM+Ø6 Heat Pipe*1, Copper Block:40*36*3MM + Aluminum Block:90*90*4.0MM; SCREW+SPRING+E-RING+WASHER*4, GREASE:X23-7762for CPU TDP 80W; RoHS |

IO Interface



Dimensions (Unit: mm)



Mouser Electronics

Authorized Distributor

Click to View Pricing, Inventory, Delivery & Lifecycle Information:

[IEI:](#)

[PUZZLE-IN002-i3T/8G-R10](#) [PUZZLE-IN002-i3T-R10](#) [PUZZLE-IN002-PGT/8G-R10](#) [PUZZLE-IN002-PGT-R10](#)
[PUZZLE-IN002-R10](#)