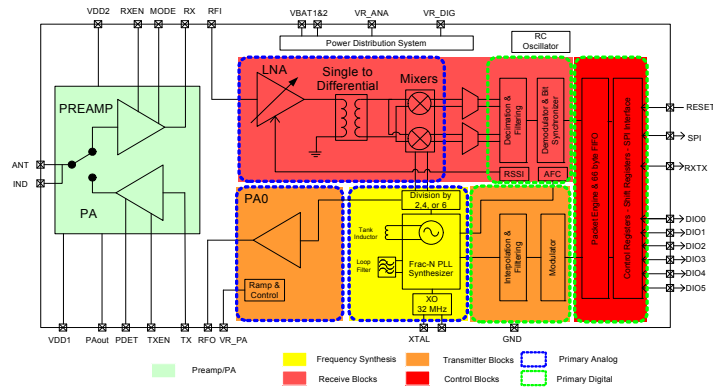


SX1238 - Fully Integrated Transceiver with +27dBm TX Power



GENERAL DESCRIPTION

The SX1238 is a fully integrated ISM band transceiver optimized for use in the (FCC Part 15) 915 MHz band in the US and 868 MHz band in Europe with a minimum of external components. It offers a combination of high link budget and low current consumption in all operating modes. The 150 dB link budget is achieved by a low noise CMOS receiver front end and up to +27 dBm of transmit output power. This is made possible by a fully integrated front end consisting of a TR Switch, LNA and efficient PA. This makes SX1238 ideal for applications requiring extended range, high link budget, or operation in the presence of high interference.

The Low-IF architecture of the SX1238 sees fast transceiver start times and demodulation predicated towards low modulation index and Gaussian filtered spectrally efficient modulation formats.

APPLICATIONS

- ◆ Automated Meter Reading
- ◆ Wireless Sensor Networks
- ◆ Home and Building Automation
- ◆ Wireless Alarm and Security Systems
- ◆ Industrial Monitoring and Control

KEY PRODUCT FEATURES

- ◆ +27 dBm - 500 mW RF output power
- ◆ +27 dBm high efficiency PA
- ◆ Programmable bit rate up to 300kbps
- ◆ High sensitivity: -124 dBm at 1.2 kbps
- ◆ 863 - 870 MHz and 902 - 928 MHz
- ◆ 80 dB blocking Immunity
- ◆ Low current, 100nA register retention
- ◆ Fully integrated synthesizer with a resolution of 61 Hz
- ◆ FSK, GFSK, MSK, GMSK and OOK modulations
- ◆ Built-in bit synchronizer performing clock recovery
- ◆ Sync word recognition
- ◆ Preamble detection
- ◆ 115 dB+ dynamic range RSSI
- ◆ Automatic RF sense with ultra-fast AFC
- ◆ Packet engine up to 64 bytes with CRC
- ◆ Built-in temperature sensor and low battery indicator

ORDERING INFORMATION

Part Number	Delivery	MOQ / Multiple
SX1238IMLTRT	Tape & Reel	3000 pieces

- ◆ MLPQ 40 Package - Operating Range [-40;+85°C]
- ◆ Pb-free, Halogen free, RoHS/WEEE compliant product

Table of contents

Section	Page
1. General Description	6
1.1. Simplified Block Diagram	6
1.2. Pin and Marking Diagram	7
1.3. Pin Description	8
2. Electrical Characteristics.....	10
2.1. ESD Notice.....	10
2.2. Absolute Maximum Ratings	10
2.3. Operating Range.....	10
2.4. Chip Specification	11
2.4.1. Power Consumption.....	11
2.4.2. Frequency Synthesis.....	11
2.4.3. Receiver	12
2.4.4. Transmitter.....	13
2.4.5. Front End Control.....	14
2.4.6. Digital Specification.....	15
3. Chip Description.....	16
3.1. Power Supply Strategy.....	17
3.2. Low Battery Detector.....	17
3.3. Frequency Synthesis.....	17
3.3.1. Reference Oscillator.....	17
3.3.2. CLKOUT Output	18
3.3.3. PLL Architecture.....	18
3.3.4. RC Oscillator	20
3.4. Transmitter Description	21
3.4.1. Architecture Description	21
3.4.2. Bit Rate Setting	21
3.4.3. FSK Modulation.....	22
3.4.4. OOK Modulation.....	23
3.4.5. Modulation Shaping	23
3.4.6. RF Power Amplifiers	23
3.5. Receiver Description	24
3.5.1. Overview	24
3.5.2. LNA1, LNA2	24
3.5.3. Automatic Gain Control - AGC	24
3.5.4. RSSI	26
3.5.5. Channel Filter.....	26
3.5.6. FSK Demodulator.....	27
3.5.7. OOK Demodulator.....	27
3.5.8. Bit Synchronizer	30
3.5.9. Frequency Error Indicator	30
3.5.10. AFC.....	31
3.5.11. Preamble Detector	32

Table of contents

Section	Page
3.5.12. Image Rejection Mixer	32
3.5.13. Image and RSSI Calibration.....	32
3.6. Temperature Measurement.....	33
3.7. Timeout Function	34
4. Operating Modes	35
4.1. General Overview	35
4.2. Startup Times.....	35
4.2.1. Transmitter Startup Time	36
4.2.2. Receiver Startup Time	36
4.2.3. Time to RSSI Evaluation	37
4.2.4. Tx to Rx Turnaround Time	37
4.2.5. Rx to Tx.....	37
4.2.6. Receiver Hopping, Rx to Rx	38
4.2.7. Tx to Tx	38
4.3. Receiver Startup Options	39
4.4. Receiver Restarting Methods.....	39
4.4.1. Restart Upon User Request.....	39
4.4.2. Automatic Restart after valid Packet Reception	40
4.4.3. Automatic Restart when Packet Collision is Detected	40
4.5. Top Level Sequencer	40
4.5.1. Sequencer States.....	40
4.5.2. Sequencer Transitions	41
4.5.3. Timers	42
4.5.4. Sequencer State Machine	44
5. Data Processing.....	45
5.1. Overview	45
5.1.1. Block Diagram.....	45
5.1.2. Data Operation Modes.....	45
5.2. Control Block Description.....	46
5.2.1. SPI Interface	46
5.2.2. FIFO	47
5.2.3. Sync Word Recognition.....	49
5.2.4. Packet Handler.....	49
5.2.5. Control	50
5.3. Digital IO Pins Mapping.....	50
5.4. Continuous Mode	52
5.4.1. General Description	52
5.4.2. Tx Processing	52
5.4.3. Rx Processing.....	53
5.5. Packet Mode	53
5.5.1. General Description	53
5.5.2. Packet Format.....	54

Table of contents

Section	Page
5.5.3. Tx Processing	57
5.5.4. Rx Processing	57
5.5.5. Handling Large Packets	58
5.5.6. Packet Filtering	58
5.5.7. DC-Free Data Mechanisms.....	60
5.5.8. Beacon Tx Mode	61
6. Description of the Registers.....	62
6.1. Register Table Summary	62
6.2. Register Map	65
7. Application Information	80
7.1. Crystal Resonator Specification	80
7.2. Reset of the Chip	80
7.2.1. POR	80
7.2.2. Manual Reset	81
7.3. Reference Design	81
7.4. Example CRC Calculation	85
7.5. Example Temperature Reading	86
8. Packaging Information	87
8.1. Package Outline Drawing.....	87
8.2. Recommended Land Pattern	88
8.3. Thermal Impedance	89
8.4. Tape & Reel Specification.....	89
9. Revision History	90

Acronyms

BOM	Bill Of Materials	LSB	Least Significant Bit
BR	Bit Rate	MSB	Most Significant Bit
BW	Bandwidth	NRZ	Non Return to Zero
CCITT	Comité Consultatif International Téléphonique et Télégraphique - ITU	OOK	On Off Keying
CRC	Cyclic Redundancy Check	PA	Power Amplifier
DAC	Digital to Analog Converter	PCB	Printed Circuit Board
ETSI	European Telecommunications Standards Institute	PLL	Phase-Locked Loop
FCC	Federal Communications Commission	POR	Power On Reset
Fdev	Frequency Deviation	RBW	Resolution BandWidth
FIFO	First In First Out	RF	Radio Frequency
FIR	Finite Impulse Response	RSSI	Received Signal Strength Indicator
FS	Frequency Synthesizer	Rx	Receiver
FSK	Frequency Shift Keying	SAW	Surface Acoustic Wave
GUI	Graphical User Interface	SPI	Serial Peripheral Interface
IC	Integrated Circuit	SR	Shift Register
ID	IDentificator	Stby	Standby
IF	Intermediate Frequency	Tx	Transmitter
IRQ	Interrupt ReQuest	uC	Microcontroller
ITU	International Telecommunication Union	VCO	Voltage Controlled Oscillator
LFSR	Linear Feedback Shift Register	XO	Crystal Oscillator
LNA	Low Noise Amplifier	XOR	eXclusive OR
LO	Local Oscillator		

This product datasheet contains a detailed description of the SX1238 performance and functionality. Please consult the Semtech website for the latest updates or errata.

1. General Description

The SX1238 is a multi-chip integrated circuit ideally suited for today's high performance ISM band RF applications. The SX1238's advanced feature set includes a state-of-the-art packet engine and top level sequencer. In conjunction with a 64 byte FIFO, these automate the entire process of packet transmission, reception and acknowledgment without incurring the consumption penalty common to many transceivers that feature an on-chip MCU. Being easily configurable, it greatly simplifies system design and reduces external MCU workload to an absolute minimum. The high level of integration reduces the external BoM to passive decoupling and impedance matching components. It is intended for use as a high-performance, low-cost FSK and OOK RF transceiver for robust, frequency agile, half-duplex, bi-directional RF links.

The SX1238 is intended for applications requiring high sensitivity and low receive current. Coupling the digital state machine with an RF front end capable of delivering a link budget of 150dB (-124dBm sensitivity in conjunction with +27dBm Pout). The SX1238 complies with FCC and ETSI regulatory requirements and is available in a 5 x 7 mm MLPQ 40 lead package. The low-IF architecture of the SX1238 is well suited for low modulation index and narrow band operation.

1.1. Simplified Block Diagram

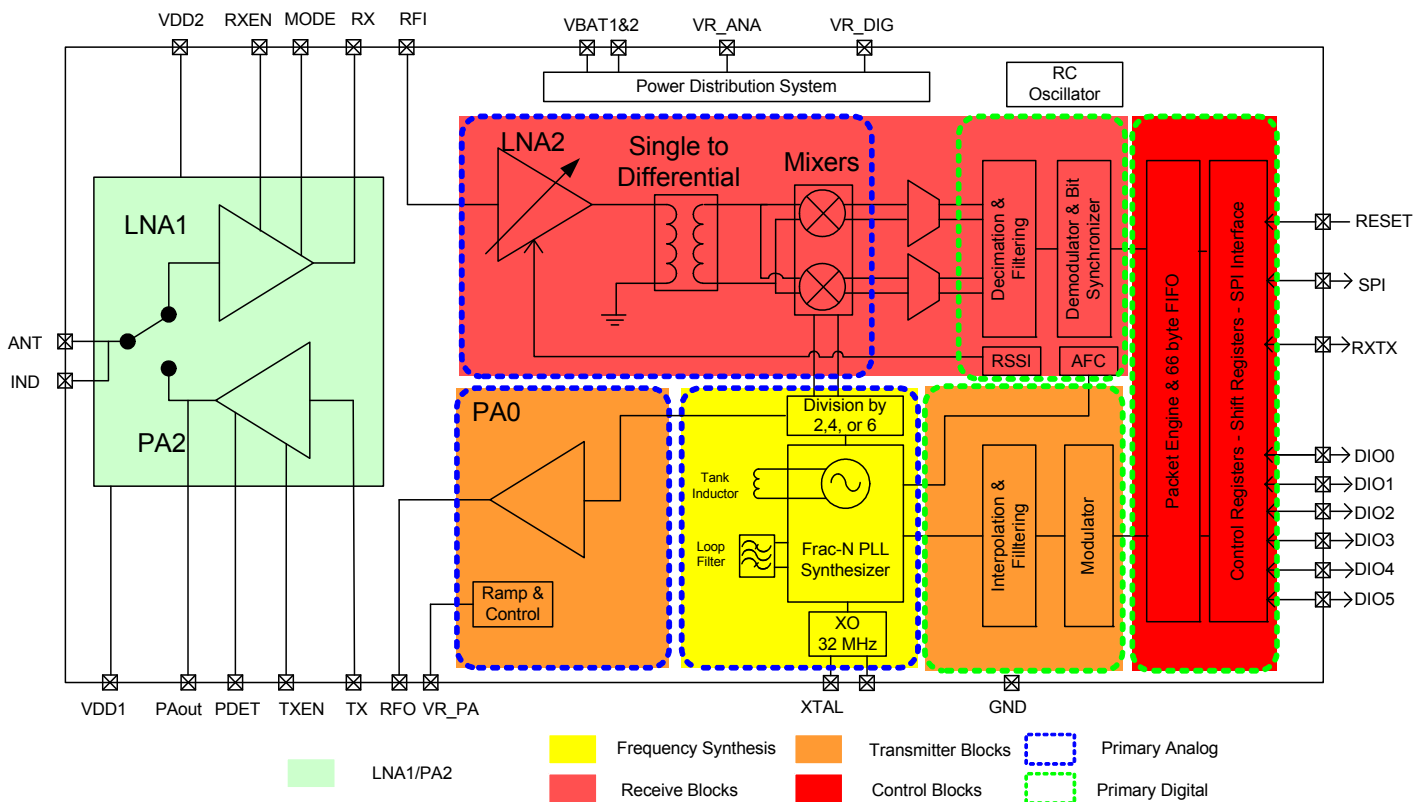


Figure 1. SX1238 Block Diagram

1.2. Pin and Marking Diagram

The following diagram shows the pin arrangement of the MLPQ package, top view.

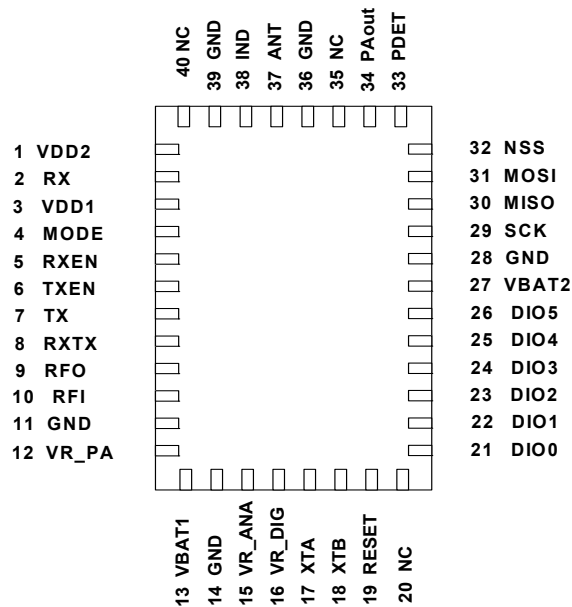


Figure 2. SX1238 Pin Diagram



Figure 3. Marking Diagram

Notes: All package marking to be aligned about the vertical center line

Marking is for the 5 x 7 mm MLPQ 40 Lead package

nnnn Indicates Part Number (Example 1238)

yyww indicates the date code (Example 0252)

xxxxxx Semtech Lot No. for TL356 (Example 090101)

zzzzzz Semtech Lot No. (Example 01-100)

1.3. Pin Description

Table 1 SX1238 Pinouts

Number	Name	Type	Description
0	GROUND	-	Exposed ground pad
1	VDD2	-	LNA Voltage Supply
2	RX	O	LNA output (DC short to GND, use DC block)
3	VDD1	-	Driver stage Voltage Supply
4	MODE	I	Selects High or Low LNA Gain
5	RXEN	I	Enables Receive Mode
6	TXEN	I	Enables Transmit Mode
7	TX	I	PA Input (DC short to GND, use DC block)
8	RXTX	O	Rx/Tx switch control: high in Tx
9	RFO	O	RF output (connects to TX)
10	RFI	I	RF input (connects to RX LNA output)
11	GND	-	Ground
12	VR_PA	-	Regulated supply for the PA
13	VBAT1	-	Supply voltage
14	GND	-	Ground
15	VR_ANA	-	Regulated supply voltage for analogue circuitry
16	VR_DIG	-	Regulated supply voltage for digital blocks
17	XTA	I/O	XTAL connection or TCXO input
18	XTB	I/O	XTAL connection
19	RESET	I/O	Reset trigger input
20	NC	-	No Connection
21	DIO0	I/O	Digital I/O, software configured
22	DIO1/DCLK	I/O	Digital I/O, software configured
23	DIO2/DATA	I/O	Digital I/O, software configured
24	DIO3	I/O	Digital I/O, software configured
25	DIO4	I/O	Digital I/O, software configured
26	DIO5	I/O	Digital I/O, software configured
27	VBAT2	-	Supply voltage
28	GND	-	Ground
29	SCK	I	SPI Clock input
30	MISO	O	SPI Data output

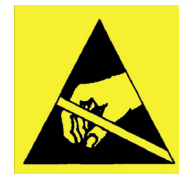
Number	Name	Type	Description
31	MOSI	I	SPI Data input
32	NSS	I	SPI Chip select input
33	PDET	O	Analog voltage proportional to PA output power
34	PAout	-	Power Stage Output (connect inductor to Supply)
35	NC	-	No Connection
36	GND	-	Ground
37	ANT	I/O	Antenna Port (DC short to GND, use DC block)
38	IND	-	Antenna matching (connect inductor to GND)
39	GND	-	Ground
40	NC	-	No Connection

2. Electrical Characteristics

2.1. ESD Notice

The SX1238 is a high performance radio frequency device. It satisfies:

- ◆ Class 2 of the JEDEC standard JESD22-A114-B (Human Body Model) on all pins.
- ◆ Class III of the JEDEC standard JESD22-C101C (Charged Device Model) on all pins



This part embeds a high performance RF Power Amplifier and as such might be permanently damaged by un-proper handling. Industry-standard precautions should be taken to avoid ESD-related failures.

2.2. Absolute Maximum Ratings

Sustained operation at or above the Absolute Maximum Ratings for any one or combination of the below parameters may result in permanent damage to the device and is not recommended. All maximum RF Input Power Ratings assume 50 Ohm Terminal Impedance.

Table 2 Absolute Maximum Ratings

Symbol	Description	Min	Max	Unit
VDDmr	Supply Voltage	-0.5	3.9	V
Tmr	Ambient Temperature*	-50	+95	°C
Tj	Junction temperature	-	+125	°C
Tst	Storage Ambient Temperature**	-50	+125	°C
Pant	ANT RF Input Level	-	+5	dBm
Ptx	TX, RF Input Level	-	+7	dBm
VCmr	RXEN, TXEN, MODE DC control voltage	-	3.9	V

*For part mounted on 4 layer board per JEDEC specification.

**No RF and DC Voltages Applied. Appropriate care required according to JEDEC Standards

2.3. Operating Range

Table 3 Operating Range.¹

Symbol	Description	Min	Max	Unit
VDDop	Supply voltage	2.7	3.6	V
Top	Operating Ambient Temperature*	-40	+85	°C
Clop	Load capacitance on digital ports (related only to outputs)	-	25	pF

1. For part mounted on 4 layer board per JEDEC specification.

2.4. Chip Specification

The tables below give the electrical specifications of the transceiver under the following conditions: Supply voltage VBAT1=VBAT2=VDDx=3.3 V, temperature = 25 °C, FXOSC = 32 MHz, F_{RF} = 915 MHz, P_{out} = as indicated, 2-level FSK modulation without pre-filtering, FDA = 5 kHz, Bit Rate = 4.8 kb/s and terminated in a matched 50 Ohm impedance, unless otherwise specified. This specification is at room temperature.

2.4.1. Power Consumption

Table 4 Power Consumption Specification

Symbol	Description	Conditions	Min	Typ	Max	Unit
IDDSL	Supply current in Sleep mode	RXEN, TXEN = 0	-	1.1	2	uA
IDDIDLE	Supply current in Idle mode	RC oscillator enabled, RXEN, TXEN = 0	-	2	-	uA
IDDST	Supply current in Standby mode	Crystal oscillator enabled, RXEN, TXEN = 0	-	1.3	1.5	mA
IDDFS	Supply current in Synthesizer mode	FSRx Modes; RXEN, TXEN = 0	-	4.5	-	mA
IDDR	Supply current in Receive mode	RXEN = 1, TXEN = 0, MODE = 0 (low gain) RXEN = 1, TXEN = 0, MODE = 1 (high gain)	- -	19.3 25.3	-	mA mA
IDDT	Supply current in Transmit mode Measured at Antenna Port	TXEN = 1 ANT = +27 dBm, (Saturation) ANT = +26 dBm ANT = +17 dBm	- - - -	- 408 389 158	- - - -	- mA mA mA

2.4.2. Frequency Synthesis

Table 5 Frequency Synthesizer Specification

Symbol	Description	Conditions	Min	Typ	Max	Unit
FR	Synthesizer frequency range	Programmable	863	-	928	MHz
FXOSC	Crystal oscillator frequency	See section [7.1]	-	32	-	MHz
TS_OSC	Crystal oscillator wake-up time		-	250	500	us
TS_FS	Frequency synthesizer wake-up time to PLLock signal	From Standby mode	-	60	-	us
TS_HOP	Frequency synthesizer hop time at most 10 kHz away from the target frequency		-	20	-	us
		200 kHz step	-	20	-	us
		1 MHz step	-	20	-	us
		5 MHz step	-	50	-	us
		7 MHz step	-	50	-	us
		12 MHz step	-	50	-	us
		20 MHz step	-	50	-	us
		25 MHz step	-	50	-	us
FSTEP	Frequency synthesizer step	FSTEP = FXOSC/2 ¹⁹	-	61.0	-	Hz
FRC	RC Oscillator frequency	After calibration	-	62.5	-	kHz

BRF	Bit rate, FSK	Programmable (1)	1.2	-	300	kbps
BRO	Bit rate, OOK	Programmable	1.2	-	32.768	kbps
BRA	Bit Rate Accuracy	ABS (wanted BR - available BR)	-	-	250	ppm
FDA	Frequency deviation, FSK (1)	Programmable FDA + BRF/2 =< 250 kHz	0.6	-	200	kHz

Note: For Maximum Bit rate the maximum modulation index is 1.

2.4.3. Receiver

All receiver tests are performed with RxBw = 10 kHz (Single Side Bandwidth) as programmed in *RegRxBw*, receiving a PN15 sequence. Sensitivities are reported for a 0.1% BER (with Bit Synchronizer enabled), unless otherwise specified. Blocking tests are performed with an unmodulated interferer. The wanted signal power for the Blocking Immunity, ACR, IIP2, IIP3 and AMR tests is set 3 dB above the receiver sensitivity level.

Table 6 Receiver Specification

Symbol	Description	Conditions	Min	Typ	Max	Unit
RFS_F	FSK sensitivity, highest LNA gain	FDA = 5 kHz, BR = 1.2 kb/s	-	-124	-	dBm
		FDA = 5 kHz, BR = 4.8 kb/s	-	-119	-	dBm
		FDA = 40 kHz, BR = 38.4 kb/s*	-	-109	-	dBm
		FDA = 20 kHz, BR = 38.4 kb/s**	-	-110	-	dBm
		FDA = 62.5 kHz, BR = 250 kb/s***	-	-96	-	dBm
RFS_O	OOK sensitivity, highest LNA gain****	BR = 4.8 kb/s	-	-121	-	dBm
		BR = 32 kb/s	-	-112	-	dBm
CCR	Co-Channel Rejection		-	-8	-	dB
ACR	Adjacent Channel Rejection	Offset = +/- 25 kHz	-	50	-	dB
		Offset = +/- 50 kHz	-	50	-	dB
BI	Blocking Immunity	Offset = +/- 1 MHz	-	73	-	dB
		Offset = +/- 2 MHz	-	78	-	dB
		Offset = +/- 10 MHz	-	87	-	dB
AMR	AM Rejection , AM modulated interferer with 100% modulation depth, fm = 1 kHz, square	Offset = +/- 1 MHz	-	73	-	dB
		Offset = +/- 2 MHz	-	78	-	dB
		Offset = +/- 10 MHz	-	87	-	dB
IIP2	2nd order Input Intercept Point Unwanted tones are 20 MHz above the LO	Highest LNA gain****	-	+44	-	dBm
IIP3	3rd order Input Intercept point Unwanted tones are 1MHz and 1.995 MHz above the LO	Highest LNA gain****	-	-25	-	dBm
BW_SSB	Single Side channel filter BW	Programmable	2.7	-	250	kHz
IMR	Image rejection		35	48	-	dB

TS_RE	Receiver wake-up time, from PLL locked state to <i>RxReady</i>	RxBw = 10 kHz, BR = 4.8 kb/s RxBw = 250 kHz, BR = 100 kb/s	- -	9 9	- -	T_{bit} T_{bit}
TS_RE_AGC	Receiver wake-up time, from PLL locked state, AGC enabled	RxBw = 10 kHz, BR = 4.8 kb/s RxBw = 250 kHz, BR = 100 kb/s	- -	14 19	- -	T_{bit} T_{bit}
TS_RE_AGC & AFC	Receiver wake-up time, from PLL lock state, AGC and AFC enabled	RxBw = 10 kHz, BR = 4.8 kb/s RxBw = 250 kHz, BR = 100 kb/s	- -	23 29	- -	T_{bit} T_{bit}
TS_FEI	FEI sampling time	Receiver is ready	-	4	-	T_{bit}
TS_AFC	AFC Response Time	Receiver is ready	-	4	-	T_{bit}
TS_RSSI	RSSI Response Time	Receiver is ready ($fs = 4 * RxBw$)	2	-	256	$1/fs$
DR_RSSI	RSSI Dynamic Range	AGC enabled MODE = 1	Min Max	-140 -13	- -	dBm dBm

- * *RxBw = 80 kHz (Single Side Bandwidth)*
- ** *RxBw = 50 kHz (Single Side Bandwidth)*
- *** *RxBw = 250 kHz (Single Side Bandwidth)*
- **** *Highest LNA gain: MODE = 1, RX Gain Setting G1 (001)*

2.4.4. Transmitter

Table 7 Transmitter Specification

Symbol	Description	Conditions	Min	Typ	Max	Unit
RF_OP*	RF output power in 50 ohms on ANT pin (High Power PA).	Maximum power output achieved when PAO set to 10 dBm or greater	+26	+27	-	dBm
$\Delta_{RF_OP_V}$	RF output power stability on ANT pin versus voltage supply (into 50 Ohm load)	VDD = 2.7 V to 3.6 V	- -	3	-	dB
Δ_{RF_T}	RF output power stability versus temperature on both RF pins. (into 50 Ohm load)	From T = -40 °C to +85 °C	-	+/-1	-	dB
VSWRstb	VSWR for stability	VSWR mismatch applied to ant port			6:1	
VSWRdm	VSWR for damage	VSWR mismatch applied to ant port			10:1	

PHN	Transmitter Phase Noise	Low Consumption PLL				
		50kHz Offset	-	-102	-	dBc/Hz
		400kHz Offset	-	-114	-	Hz
		1MHz Offset	-	-120	-	
		Low Phase Noise PLL				
		50kHz Offset	-	-106	-	dBc/Hz
400kHz Offset	-	-117	-	Hz		
1MHz Offset	-	-122	-			
TS_TR	Transmitter wake up time, to the first rising edge of DCLK	Frequency Synthesizer enabled, PaRamp = 10us, BR = 4.8 kb/s	-	120	-	us

* Maximum input power at TX port (pin 7) must not exceed +7dBm. This can be accomplished by incorporating an attenuator in the interstage network. See reference design, Figure 39.

2.4.5. Front End Control

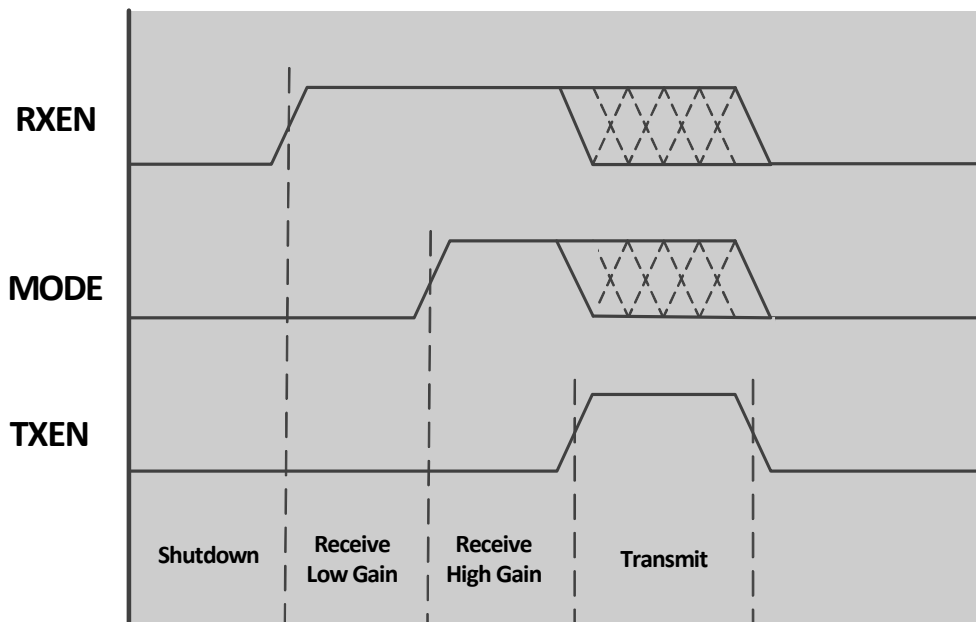


Figure 4. Front End Control Signal Timing Diagram*

*For safe operation, please allow at least 1us between any mode change.

Table 8 Front End Control Signal Table

TXEN	RXEN	MODE	Operating Conditions
0	0	X	Shut Down
0	1	0	RX Active, Low Gain Mode
0	1	1	RX Active, High
1	X	X	TX Active

2.4.6. Digital Specification

Conditions: Temp = 25°C, VDD = 3.3V, FXOSC = 32 MHz, unless otherwise specified.

Note: VDD must be applied before any voltage applied to Digital Input

Table 9 Digital Specification

Symbol	Description	Conditions	Min	Typ	Max	Unit
V _{IH}	Digital input level high		0.8	-	-	VDD
V _{IL}	Digital input level low		-	-	0.3	V
V _{OH}	Digital output level high	I _{max} = 1 mA	0.9	-	-	VDD
V _{OL}	Digital output level low	I _{max} = -1 mA	-	-	0.1	VDD
F _{SCK}	SCK frequency		-	-	10	MHz
t _{ch}	SCK high time		50	-	-	ns
t _{cl}	SCK low time		50	-	-	ns
t _{rise}	SCK rise time		-	5	-	ns
t _{fall}	SCK fall time		-	5	-	ns
t _{setup}	MOSI setup time	from MOSI change to SCK rising edge	30	-	-	ns
t _{hold}	MOSI hold time	from SCK rising edge to MOSI change	20	-	-	ns
t _{nsetup}	NSS setup time	from NSS falling edge to SCK rising edge	30	-	-	ns
t _{nhold}	NSS hold time	from SCK falling edge to NSS rising edge, normal mode	100	-	-	ns
t _{nhigh}	NSS high time between SPI accesses		20	-	-	ns
T_DATA	DATA hold and setup time		250	-	-	ns

3. Chip Description

This section describes in depth the architecture of the SX1238 low-power, highly integrated transceiver. The following figure shows a simplified block diagram of the SX1238.

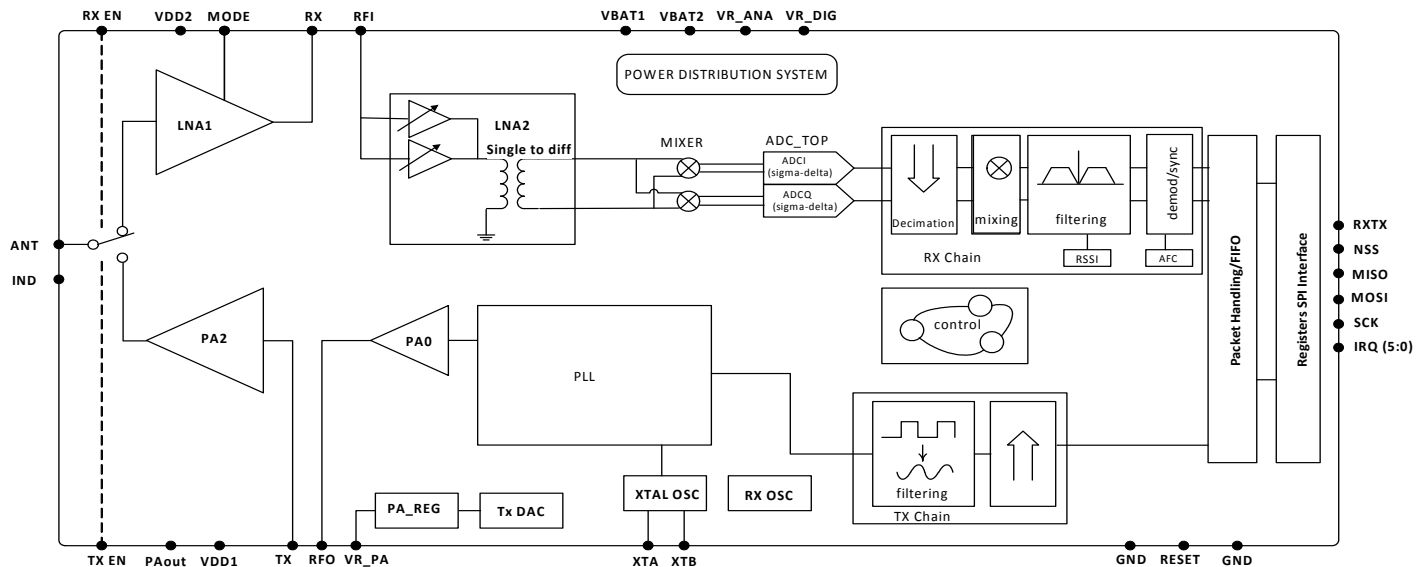


Figure 5. Simplified SX1238 Block Schematic Diagram

SX1238 is a half-duplex, low-IF transceiver. Here the received RF signal at the ANT port is amplified by LNA1 when RXEN is enabled. The MODE selects high or low LNA1 gain. LNA1 output passes through an external filter/matching network, then enters LNA2. Both LNA1 and LNA2 inputs are single ended to minimize the external BoM and for ease of design. Following LNA2 output, the conversion to differential is made internally to improve the second order linearity and harmonic rejection. The signal is then down-converted to in-phase (I) and quadrature (Q) components at the intermediate frequency (IF) by the mixer stage. A pair of sigma delta ADCs then perform data conversion, with all subsequent signal processing and demodulation performed in the digital domain. The digital state machine also controls the automatic frequency correction (AFC), received signal strength indicator (RSSI) and automatic gain control (AGC). It also features the higher-level packet and protocol level functionality of the top level sequencer.

In the receiver operating mode two states of functionality are defined. Upon initial transition to receiver operating mode the receiver is in the 'receiver-enabled' state. In this state the receiver awaits for either the user defined valid preamble or RSSI detection criterion to be fulfilled. Once met the receiver enters 'receiver-active' state. In this second state the received signal is processed by the packet engine and top level sequencer.

The frequency synthesizer generates the local oscillator (LO) frequency for both receiver and transmitter. The PLL is optimized for user-transparent low lock time and fast auto-calibrating operation. In transmission, frequency modulation is performed digitally within the PLL bandwidth. It also features optional pre-filtering of the bit stream to improve spectral purity.

The SX1238 features a pair of RF power amplifiers. The first, PA0, connected to RFO, passes through a filter/bias network then enters PA2 input connected to TX. PA2 output is connected to the T/R switch and can deliver up to +27 dBm to the ANT port directly into a 50 Ohm load when the TXEN is enabled. The PDET provides an analog DC voltage proportional to PA2 output power.

The SX1238 also includes two timing references: an internal RC oscillator and a 32 MHz crystal oscillator.

All major parameters of the RF front end and digital state machine are fully configurable via an SPI interface which gives access to internal registers. This includes a mode auto sequencer that oversees the transition and calibration of the SX1238 between intermediate modes of operation in the fastest time possible.

3.1. Power Supply Strategy

The SX1238 employs an advanced power supply scheme, which provides stable operating characteristics over the full temperature and voltage range of operation. The SX1238 can be powered from any low-noise voltage source via pins VBAT, VBAT2, VDD1, and VDD2. It is mandatory that PAout be connected to the voltage source through an inductor. Decoupling capacitors should be connected, as suggested in the reference design, including VR_PA, VR_DIG and VR_ANA pins to ensure a correct operation of the built-in voltage regulators. A 2.2uF (min) capacitor should be used to bypass the main supply.

3.2. Low Battery Detector

A low battery detector is also included allowing the generation of an interrupt signal in response to passing a programmable threshold adjustable through the register *RegLowBat*. The interrupt signal can be mapped to any of the DIO pins, by programming *RegDioMapping*.

3.3. Frequency Synthesis

3.3.1. Reference Oscillator

The crystal oscillator is the main timing reference of the SX1238. It is used as a reference for the frequency synthesizer and as a clock for the digital processing.

The XO startup time, *TS_OSC*, depends on the actual XTAL being connected on pins XTA and XTB. The SX1238 optimizes the startup time and automatically triggers the PLL when the XO signal is stable.

An external clock can be used to replace the crystal oscillator, for instance a tight tolerance TCXO. To do so, *TcxoInputOn* in *RegTcxo* should be set to 1, and the external clock has to be provided on XTA (pin 4). XTB (pin 5) should be left open.

The peak-peak amplitude of the input signal must never exceed 1.8 V. Please consult your TCXO supplier for an appropriate value of decoupling capacitor, C_D .

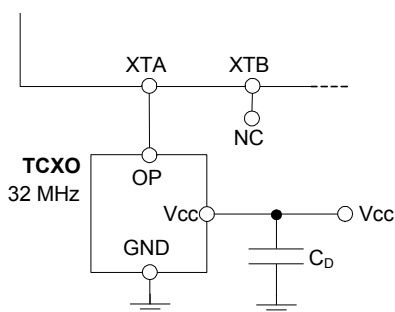


Figure 6. TCXO Connection

3.3.2. CLKOUT Output

The reference frequency, or a fraction of it, can be provided on DIO5 (pin 12) by modifying bits *ClkOut* in *RegDioMapping2*. Two typical applications of the CLKOUT output include:

- ◆ To provide a clock output for a companion processor, thus saving the cost of an additional oscillator. CLKOUT can be made available in any operation mode except Sleep mode and is automatically enabled at power on reset.
- ◆ To provide an oscillator reference output. Measurement of the CLKOUT signal enables simple software trimming of the initial crystal tolerance.

Note: To minimize the current consumption of the SX1238, please ensure that the CLKOUT signal is disabled when not required.

3.3.3. PLL Architecture

The local oscillator of the SX1238 is derived from a fractional-N PLL that is referenced to the crystal oscillator circuit. Two PLLs are available for transmit mode operation - either low phase noise or low current consumption to maximize either transmit power consumption or transmit spectral purity. Both PLLs feature a programmable bandwidth setting where one of four discrete preset bandwidths may be accessed. For reference the relative performance of both low consumption and low phase noise PLL, for each programmable bandwidth setting, is shown in the following figure.

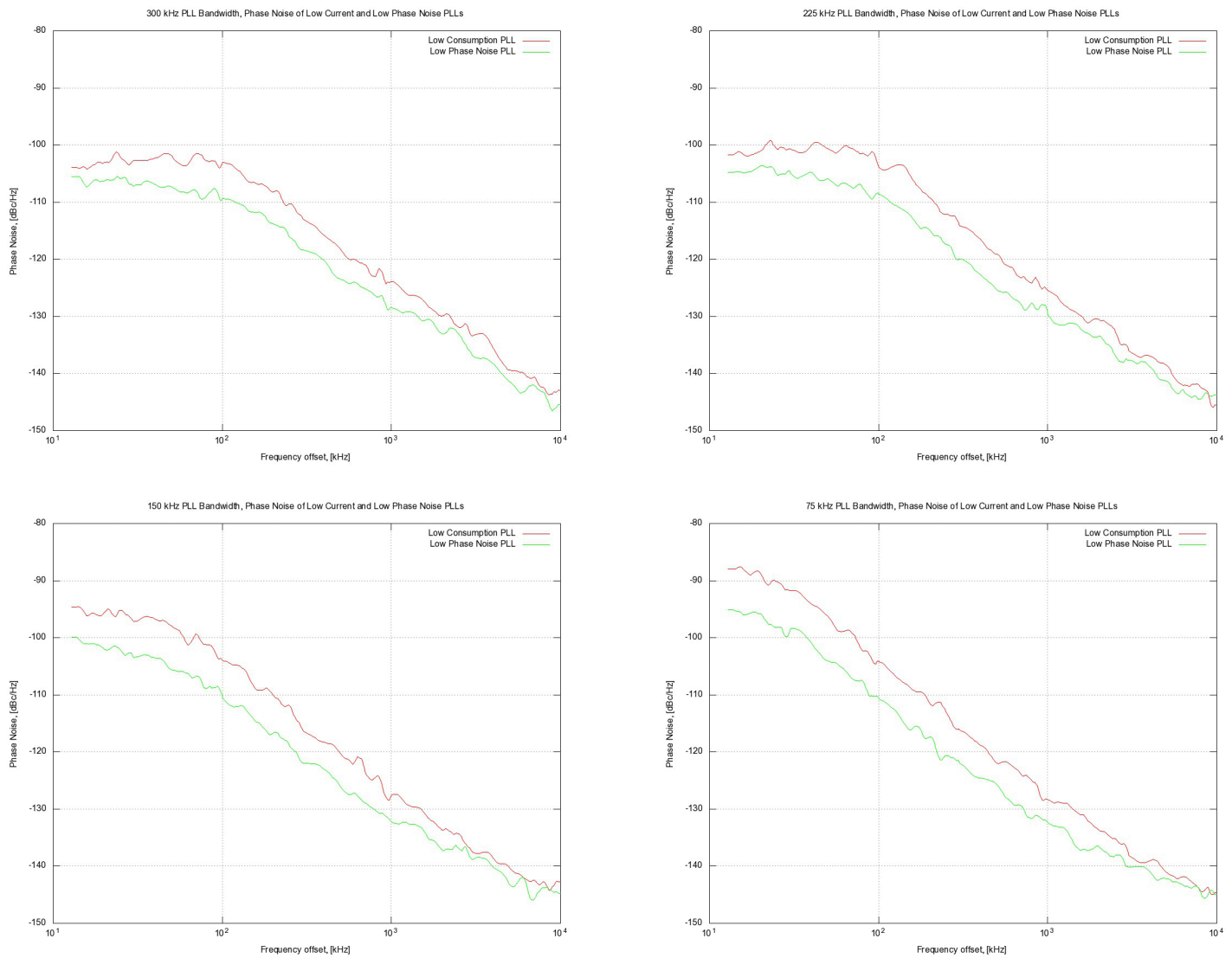


Figure 7. Typical Phase Noise Performances of the Low Consumption and Low Phase Noise PLLs.

Note: In receive mode, only the low consumption PLL is available.

The SX1238 PLL embeds a 19-bit sigma-delta modulator and its frequency resolution, constant over the whole frequency range, and is given by:

$$F_{STEP} = \frac{F_{XOSC}}{2^{19}}$$

The carrier frequency is programmed through *RegFrf*, split across addresses 0x06 to 0x08:

$$F_{RF} = F_{STEP} \times Frf(23,0)$$

Note: The Frf setting is split across 3 bytes. A change in the center frequency will only be taken into account when the least significant byte FrfLsb in RegFrfLsb is written. This allows for more complex modulation schemes such as m-ary FSK, where frequency modulation is achieved by changing the programmed RF frequency.

3.3.4. RC Oscillator

All timings in the low-power state of the Top Level Sequencer rely on the accuracy of the internal low-power RC oscillator. This oscillator is automatically calibrated at the device power-up, and it is a user-transparent process.

For applications enduring large temperature variations, and for which the power supply is never removed, RC calibration can be performed upon user request. *RcCalStart* in *RegOsc* triggers this calibration, and the flag *RcCalDone* will be set automatically when the calibration is over.

3.4. Transmitter Description

The transmitter of SX1238 comprises the frequency synthesizer, modulator and power amplifier blocks, together with the DC biasing and ramping functionality that is provided through the VR_PA block.

3.4.1. Architecture Description

The architecture of the RF front end is shown in the following diagram. Here we see that the PA0 output on the RFO pin features a single low power amplifier device. It connects to a high power amplifier that permits continuous operation up to +27 dBm.

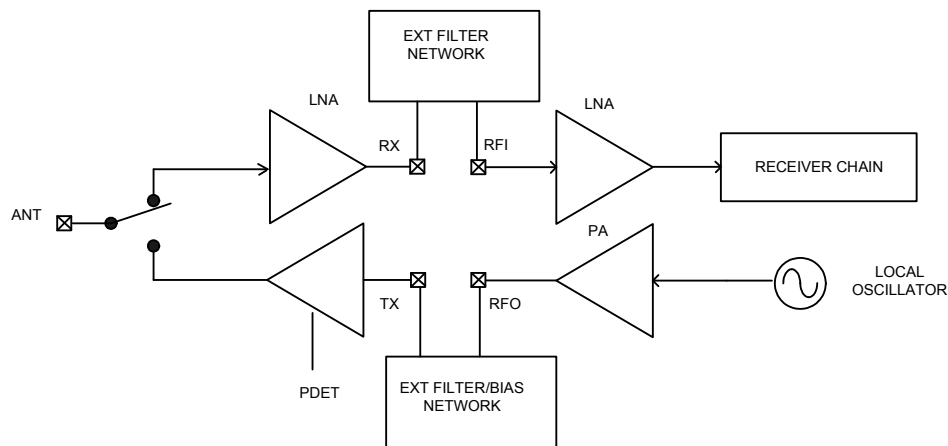


Figure 8. RF Front-end Architecture Shows the Internal PA Configuration.

3.4.2. Bit Rate Setting

The bitrate setting is referenced to the crystal oscillator and provides a precise means of setting the bit (or equivalently chip) rate of the radio. In continuous transmit mode (Section 3.2.2) the data stream to be transmitted can be input directly to the modulator via pin 9 (DIO2/DATA) in an asynchronous manner, unless Gaussian filtering is used, in which case the DCLK signal on pin 10 (DIO1/DCLK) is used to synchronize the data stream. See section [3.4.5] for details on the Gaussian filter.

In Packet mode or in Continuous mode with Gaussian filtering enabled, the Bit Rate (BR) is controlled by bits *Bitrate* in *RegBitrateMsb* and *RegBitrateLsb*.

$$BitRate = \frac{FXOSC}{BitRate(15,0) + \frac{BitrateFrac}{16}}$$

Note: *BitrateFrac* bits have **no effect** (i.e. may be considered equal to 0) in **OOK** modulation mode.

The quantity *BitrateFrac* is hence designed to allow very high precision (max. 250 ppm calculation error) for any bitrate in the programmable range. Table 10 below shows a range of standard bitrates and the accuracy to within which they may be reached.

Table 10 Bit Rate Examples

Type	BitRate (15:8)	BitRate (7:0)	(G)FSK (G)MSK	OOK	Actual Bit Rate
Classical modem baud rates (multiples of 1.2 kbps)	0x68	0x2B	1.2 kbps	1.2 kbps	1200.015
	0x34	0x15	2.4 kbps	2.4 kbps	2400.060
	0x1A	0x0B	4.8 kbps	4.8 kbps	4799.760
	0x0D	0x05	9.6 kbps	9.6 kbps	9600.960
	0x06	0x83	19.2 kbps	19.2 kbps	19196.16
	0x03	0x41	38.4 kbps		38415.36
	0x01	0xA1	76.8 kbps		76738.60
	0x00	0xD0	153.6 kbps		153846.1
Classical modem baud rates (multiples of 0.9 kbps)	0x02	0x2C	57.6 kbps		57553.95
	0x01	0x16	115.2 kbps		115107.9
Round bit rates (multiples of 12.5, 25 and 50 kbps)	0x0A	0x00	12.5 kbps	12.5 kbps	12500.00
	0x05	0x00	25 kbps	25 kbps	25000.00
	0x80	0x00	50 kbps		50000.00
	0x01	0x40	100 kbps		100000.0
	0x00	0xD5	150 kbps		150234.7
	0x00	0xA0	200 kbps		200000.0
	0x00	0x80	250 kbps		250000.0
	0x00	0x6B	300 kbps		299065.4
Watch Xtal frequency	0x03	0xD1	32.768 kbps	32.768 kbps	32753.32

3.4.3. FSK Modulation

FSK modulation is performed inside the PLL bandwidth, by changing the fractional divider ratio in the feedback loop of the PLL. The large resolution of the sigma-delta modulator, allows for very narrow frequency deviation. The frequency deviation F_{DEV} is given by:

$$F_{DEV} = F_{STEP} \times Fdev(13,0)$$

To ensure a proper modulation, the following limit applies:

$$F_{DEV} + \frac{BR}{2} \leq (250)kHz$$

Note No constraint applies to the modulation index of the transmitter, but the frequency deviation must be set between 600 Hz and 200 kHz.

3.4.4. OOK Modulation

OOK modulation is applied by switching on and off the Power Amplifier. Digital control and smoothing are available to improve the transient power response of the OOK transmitter.

3.4.5. Modulation Shaping

Modulation shaping can be applied in both OOK and FSK modulation modes, to improve the narrowband response of the transmitter. Both shaping features are controlled with *PaRamp* bits in *RegPaRamp*.

- ◆ In FSK mode, a Gaussian filter with $BT = 0.5$ or 1 is used to filter the modulation stream, at the input of the sigma-delta modulator. If the Gaussian filter is enabled when the SX1238 is in Continuous mode, DCLK signal on pin 10 (DIO1/ DCLK) will trigger an interrupt on the uC each time a new bit has to be transmitted. Please refer to section [5.4.2] for details.
- ◆ When OOK modulation is used, the PA0 bias voltages are ramped up and down smoothly when the PA is turned on and off, to reduce spectral splatter.

Note The transmitter must be restarted if the *ModulationShaping* setting is changed, in order to recalibrate the built-in filter.

3.4.6. RF Power Amplifiers

Two power amplifier blocks are embedded in the SX1238. The first one, herein referred to as PA0, is output through the RFO port (pin 9). The PA0 RF power is programmable between -1dBm and $+13\text{dBm}$. The RFO port is connected to the high power PA2 input port, TX (pin 7), through an impedance matching network with an embedded resistive attenuator. The nominal power setting for the PA0 port to achieve maximum power out of PA0 is $+10\text{ dBm}$. This provides an input power of $+3\text{ dBm}$ to the TX port. It is important to use the recommended 7dB attenuator in the matching network between the RFO and TX ports to prevent damage to the TX input from excessive power. An application circuit showing a recommended interstage network with this embedded attenuator is shown in Fig 39 Reference Design.

The high power PA2 output is connected through the T/R switch to the ANT pin and is active when TXEN is high. It can deliver up to $+27\text{ dBm}$ in programmable steps to the antenna, directly into a 50 Ohm load. Harmonic filtering is required to ensure regulatory compliance. The RF power is programmable between a nominal $+17\text{ dBm}$ and $+27\text{ dBm}$.

Table 11 Power Amplifier Mode Selection Truth Table

<i>PaSelect</i>	Mode	Power Range
0*	PA0 output on pin RFO to drive PA2	+17 to +27 dBm
1	Not defined	-

* TXEN must be high to enable PA2

3.5. Receiver Description

3.5.1. Overview

The SX1238 features a digital receiver with the analog to digital conversion process being performed directly following the LNA-Mixers block. The Low-IF receiver is able to handle ASK, OOK, (G)FSK and (G)MSK modulation. All the filtering, demodulation, gain control, synchronization and packet handling is performed digitally, which allows a very wide range of bit rates and frequency deviations to be selected. The receiver is also capable of automatic gain calibration to improve precision on RSSI measurement and enhanced image rejection.

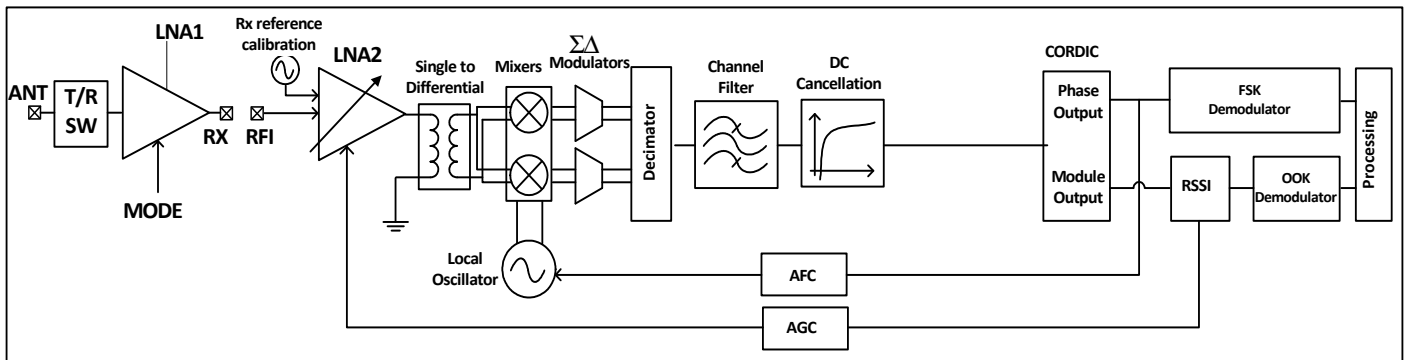


Figure 9. Receiver Block Diagram

3.5.2. LNA1, LNA2

The LNA1 precedes LNA2 and provides selection of two fixed gain settings. When MODE = 0, the low gain setting is 10 dB and when MODE = 1, the high gain setting is 13 dB. The LNA1 output is connected to the LNA2 input through an external matching network. LNA2 provides variable gain for AGC control.

3.5.3. Automatic Gain Control - AGC

The AGC feature allows receiver to handle a wide Rx input dynamic range from the sensitivity level up to maximum input level of 0dBm or more, whilst optimizing the system linearity.

The automatic LNA gain control is effective by setting the bit *AgcAutoOn* to '1'. The automatic adjustment of the LNA2 gain can be performed on the Rx input level (Pin) at receiver start up and/or during the Preamble reception. The automatic adjustment of the LNA2 during the Preamble is effective by setting the bit *AgcOnPreamble* to '1' otherwise it will be performed only at the receiver start up.

The LNA2 gain can also be manually selected using *LnaGain* bits and by disabling the automatic LNA2 gain control by setting the *AgcAutoOn* bit to '0'.

Table 12, below, shows typical NF and IIP3 performance for the different LNA1 and LNA2 gains.

Table 12 LNA1, LNA2 Gain Control and Receiver Performance

RF input level (Pin)	Gain Setting	LNA1	LnaGain	Relative LNA1,2 Gain [dB]	NF [dB]	IIP3 [dBm]
		Gain				
Pin ≤ AgcThresh1	G1	High	001	0	3.3	-25
Pin ≤ AgcThresh1	G1	Low	001	-3	4	-22
AgcThresh1 < Pin ≤ AgcThresh2	G2	High	010	-3.9	3.9	-23
AgcThresh1 < Pin ≤ AgcThresh2	G2	Low	010	-9	5	-20
AgcThresh2 < Pin ≤ AgcThresh3	G3	High	011	-12	5.5	-18
AgcThresh2 < Pin ≤ AgcThresh3	G3	Low	011	-15	7.2	-15
AgcThresh3 < Pin ≤ AgcThresh4	G4	High	100	-24	12.5	-18
AgcThresh3 < Pin ≤ AgcThresh4	G4	Low	100	-27	15.3	-15
AgcThresh4 < Pin ≤ AgcThresh5	G5	High	110	-26	20.1	-3
AgcThresh4 < Pin ≤ AgcThresh5	G5	Low	110	-29	23	0
AgcThresh5 < Pin	G6	High	111	-48	30	-3
AgcThresh5 < Pin	G6	Low	111	-51	33	0

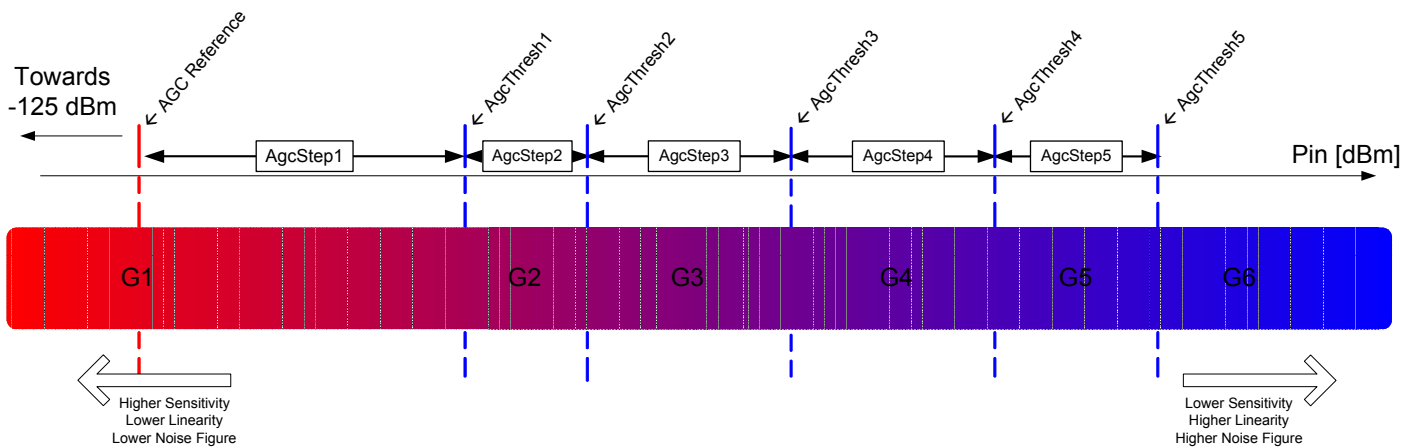


Figure 10. AGC Steps Definition

The global AGC reference, reference all AGC thresholds, is determined as follows:

$$\text{AGC Reference [dBm]} = -174 \text{ dBm} + 10 \cdot \log(2 \cdot R_x B_w) + \text{SNR} + \text{AgcReferenceLevel}$$

with SNR = 8dB, fixed value.

A detailed description of the receiver setup to enable the AGC is provided in section [3.3].

3.5.4. RSSI

The RSSI value reflects the incoming signal power provided at antenna port within the receiver bandwidth. The signal power is available in *RssiValue*. This value is absolute and its unit is in dBm with a resolution of 0.5dB. The formula hereafter gives the relationship between the register value and the absolute input signal level in dBm at antenna port:

$$RssiValue = -2 \cdot RF\ level [dBm] + RssiOffset [dB] + LNA_1$$

LNA_1 Gain selectable to be either 10 dB or 13 dB

The RSSI value can be compensated for to take into account the loss in the matching network or the gain of an additional LNA, by using *RssiOffset*. The offset can be chosen in 1dB steps from -16 to +15dB. When compensation is applied, the effective signal strength is read as follows:

$$RSSI [dBm] = -\frac{RssiValue}{2}$$

The RSSI value is smoothed on a given number of measured RSSI samples. The precision of the RSSI value is related to the number of RSSI samples used. *RssiSmoothing* selects the number of RSSI samples from a minimum of 2 samples up to 256 samples in increments of power of 2. Table 13 hereafter gives the estimation of the RSSI accuracy for a 10dB SNR and the response time versus the number of RSSI samples selected in *RssiSmoothing*.

Table 13 *RssiSmoothing* Options

<i>RssiSmoothing</i>	Number of Samples	Estimated Accuracy	Response Time
'000'	2	± 6dB	$\frac{2^{(RssiSmoothing+1)}}{4 \cdot RxBw [kHz]} [ms]$
'001'	4	± 5dB	
'010'	8	± 4dB	
'011'	16	± 3dB	
'100'	32	± 2dB	
'101'	64	± 1.5dB	
'110'	128	± 1.2dB	
'111'	256	± 1.1dB	

The RSSI is calibrated, up the RFI pin, when Image and Rssi calibration is launched; please see section [3.5.13] for details.

3.5.5. Channel Filter

The role of the channel filter is to filter out the noise and interferers outside of the channel. Channel filtering on the SX1238 is implemented with a 16-tap Finite Impulse Response (FIR) filter, providing an outstanding Adjacent Channel Rejection performance, even for narrowband applications.

Note: to respect oversampling rules in the decimation chain of the receiver, the Bit Rate cannot be set at a higher value than 2 times the single-side receiver bandwidth ($BitRate < 2 \times RxBw$).

The single-side channel filter bandwidth *RxBw* is controlled by the parameters *RxBwMant* and *RxBwExp* in *RegRxBw*:

$$RxBw = \frac{FXOSC}{RxBwMant \times 2^{RxBwExp + 2}}$$

The following channel filter bandwidths are accessible (oscillator is mandated at 32 MHz):

Table 14 Available RxBw Settings

RxBwMant (binary/value)	RxBwExp (decimal)	RxBw (kHz)
		FSK / OOK
10b / 24	7	2.6
01b / 20	7	3.1
00b / 16	7	3.9
10b / 24	6	5.2
01b / 20	6	6.3
00b / 16	6	7.8
10b / 24	5	10.4
01b / 20	5	12.5
00b / 16	5	15.6
10b / 24	4	20.8
01b / 20	4	25.0
00b / 16	4	31.3
10b / 24	3	41.7
01b / 20	3	50.0
00b / 16	3	62.5
10b / 24	2	83.3
01b / 20	2	100.0
00b / 16	2	125.0
10b / 24	1	166.7
01b / 20	1	200.0
00b / 16	1	250.0
Other settings		reserved

3.5.6. FSK Demodulator

The FSK demodulator of the SX1238 is designed to demodulate FSK, GFSK, MSK and GMSK modulated signals. It is most efficient when the modulation index of the signal is greater than 0.5 and below 10:

$$0.5 \leq \beta = \frac{2 \times F_{DEV}}{BR} \leq 10$$

The output of the FSK demodulator can be fed to the Bit Synchronizer to provide the companion processor with a synchronous data stream in Continuous mode.

3.5.7. OOK Demodulator

The OOK demodulator performs a comparison of the RSSI output and a threshold value. Three different threshold modes are available, configured through bits *OokThreshType* in *RegOokPeak*.

The recommended mode of operation is the "Peak" threshold mode, illustrated in Figure 11:

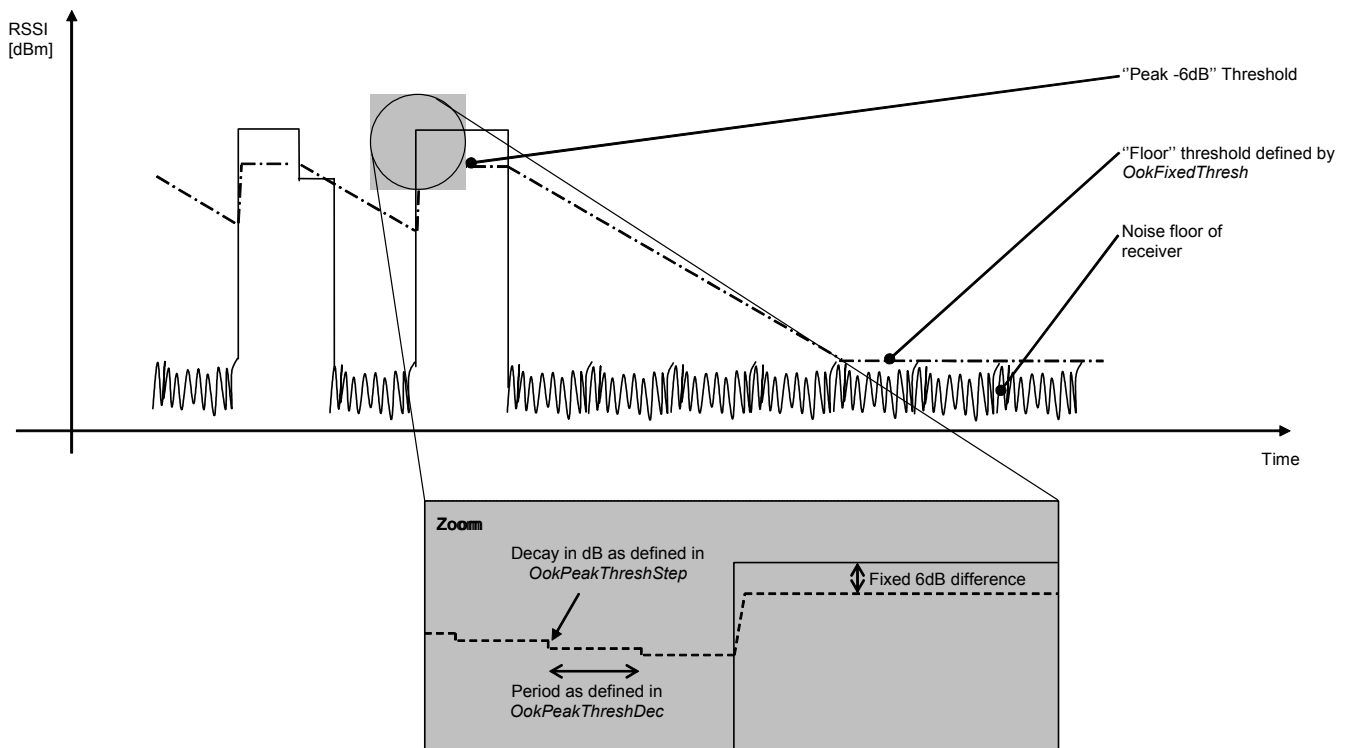


Figure 11. OOK Peak Demodulator Description

In peak threshold mode, the comparison threshold level is the peak value of the RSSI, reduced by 6dB. In the absence of an input signal, or during the reception of a logical "0", the acquired peak value is decremented by one *OokPeakThreshStep* every *OokPeakThreshDec* period.

When the RSSI output is null for a long time (for instance after a long string of "0" received, or if no transmitter is present), the peak threshold level will continue falling until it reaches the "Floor Threshold", programmed in *OokFixedThresh*.

The default settings of the OOK demodulator lead to the performance stated in the electrical specification. However, in applications in which sudden signal drops are awaited during a reception, the three parameters should be optimized accordingly.

3.5.7.1. Optimizing the Floor Threshold

OokFixedThresh determines the sensitivity of the OOK receiver, as it sets the comparison threshold for weak input signals (i.e. those close to the noise floor). Significant sensitivity improvements can be generated if configured correctly.

Note that the noise floor of the receiver at the demodulator input depends on:

- ◆ The noise figure of the receiver.
- ◆ The gain of the receive chain from antenna to base band.
- ◆ The matching - including SAW filter if any.
- ◆ The bandwidth of the channel filters.

It is therefore important to note that the setting of *OokFixedThresh* will be application dependent. The following procedure is recommended to optimize *OokFixedThresh*.

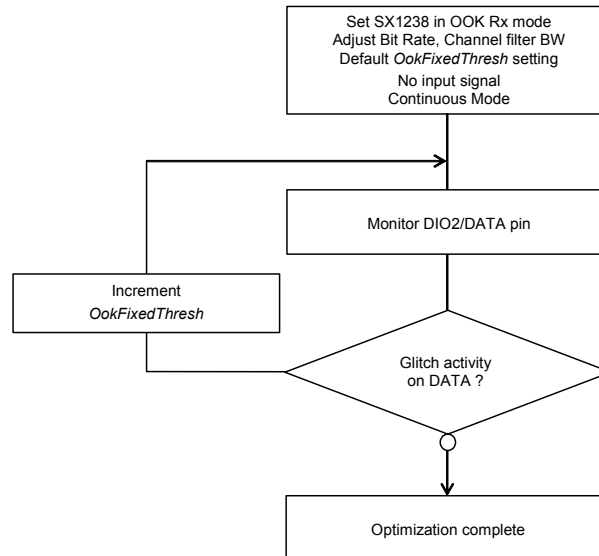


Figure 12. Floor Threshold Optimization

The new floor threshold value found during this test should be used for OOK reception with those receiver settings.

3.5.7.2. Optimizing OOK Demodulator for Fast Fading Signals

A sudden drop in signal strength can cause the bit error rate to increase. For applications where the expected signal drop can be estimated, the following OOK demodulator parameters *OokPeakThreshStep* and *OokPeakThreshDec* can be optimized as described below for a given number of threshold decrements per bit. Refer to *RegOokPeak* to access those settings.

3.5.7.3. Alternative OOK Demodulator Threshold Modes

In addition to the Peak OOK threshold mode, the user can alternatively select two other types of threshold detectors:

- ◆ Fixed Threshold: The value is selected through *OokFixedThresh*
- ◆ Average Threshold: Data supplied by the RSSI block is averaged, and this operation mode should only be used with DC-free encoded data.

3.5.8. Bit Synchronizer

The Bit Synchronizer is a block that provides a clean and synchronized digital output, free of glitches. Its output is made available on pin DIO1/DCLK in Continuous mode and can be disabled through register settings. However, for optimum receiver performance, its use when running Continuous mode is strongly advised.

The Bit Synchronizer is automatically activated in Packet mode. Its bit rate is controlled by *BitRateMsb* and *BitRateLsb* in *RegBitrate*.

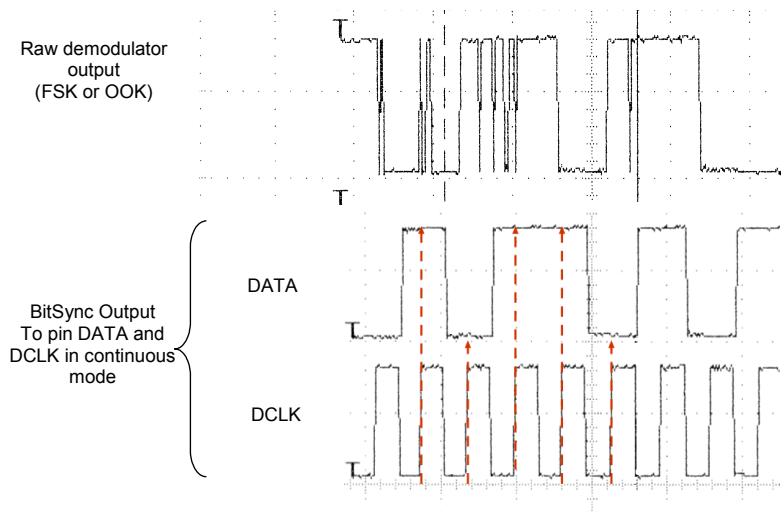


Figure 13. Bit Synchronizer Description

To ensure correct operation of the Bit Synchronizer, the following conditions have to be satisfied:

- ◆ A preamble (0x55 or 0xAA) of at least 12 bits is required for synchronization, the longer the synchronization the better the packet error rate
- ◆ The subsequent payload bit stream must have at least one transition from '0' to '1' or '1' to '0' every 16 bits during data transmission
- ◆ The bit rate matching between the transmitter and the receiver must be better than 6.5%.

3.5.9. Frequency Error Indicator

This function provides information about the frequency error of the local oscillator (LO) compared with the carrier frequency of a modulated signal at the input of the receiver. When the FEI block is launched, the frequency error is measured and the signed result is loaded in *FeiValue* in *RegFei*, in 2's complement format. The time required for an FEI evaluation is 4 times the bit period.

To ensure a proper behavior of the FEI:

- ◆ The operation must be done during the reception of preamble
- ◆ The sum of the frequency offset and the 20 dB signal bandwidth must be lower than the base band filter bandwidth.

The 20 dB bandwidth of the signal can be evaluated as follows (double-side bandwidth):

$$BW_{20dB} = 2 \times \left(F_{DEV} + \frac{BR}{2} \right)$$

The frequency error, in Hz, can be calculated with the following formula:

$$FEI = F_{STEP} \times FeiValue$$

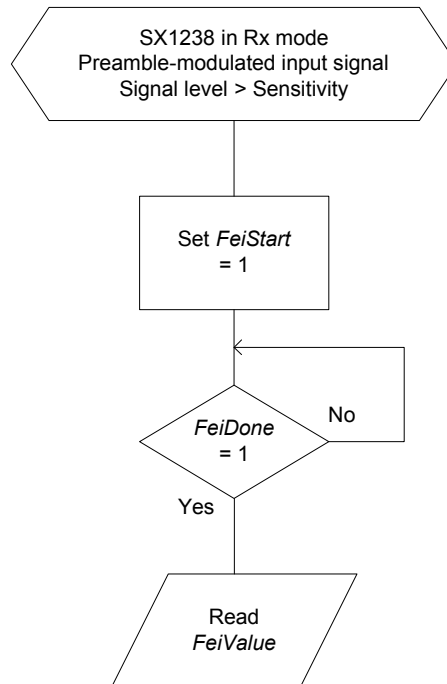


Figure 14. FEI Process

3.5.10. AFC

The AFC is based on the FEI block, and therefore the same input signal and receiver setting conditions apply. When the AFC procedure is done, *AfcValue* is directly subtracted to the register that defines the frequency of operation of the chip, F_{RF} . The AFC is executed each time the receiver is enabled, if *AfcAutoOn* = 1.

When the AFC is enabled (*AfcAutoOn* = 1), the user has the option to:

- ◆ Clear the former AFC correction value, if *AfcAutoClearOn* = 1
- ◆ Start the AFC evaluation from the previously corrected frequency. This may be useful in systems in which the LO keeps on drifting in the “same direction”. Ageing compensation is a good example.

The SX1238 offers an alternate receiver bandwidth setting during the AFC phase, to accommodate large LO drifts. If the user considers that the received signal may be out of the receiver bandwidth, a higher channel filter bandwidth can be programmed in *RegAfcBw*, at the expense of the receiver noise floor, which will impact upon sensitivity.

The FEI is valid only during preamble, and therefore the *PreambleDetect* flag can be used to validate the current FEI result and add it to the AFC register. The link between *PreambleDetect* interrupt and the AFC is controlled by *StartDemodOnPreamble* in *RegRxConfig*.

3.5.11. Preamble Detector

The Preamble Detector indicates the reception of a carrier modulated with a 0101...sequence. It is insensitive to the frequency offset, as long as the receiver bandwidth is large enough. The size of detection can be programmed from 1 to 3 bytes with *PreambleDetectorSize* in *RegPreambleDetect* as defined in the next table.

Table 15 Preamble Detector Settings

<i>PreambleDetectorSize</i>	# of Bytes
00	1
01	2 (recommended)
10	3
11	reserved

For proper operation, *PreambleDetectTol* should be set to 10 (0x0A), with a qualifying preamble size of 2 bytes.

PreambleDetect interrupt (either in *RegIrqFlags1* or mapped to a specific DIO) goes high every time a valid preamble is detected, assuming *PreambleDetectorOn*=1.

The preamble detector can also be used to ensure that AFC and AGC are performed on valid preamble. See Figure 10 for details.

3.5.12. Image Rejection Mixer

The SX1238 embeds a state of the art Image Rejection Mixer (IRM). Its default rejection, with no calibration, is 35dB typ.

The IQ signals can be calibrated by an embedded source, pushing the image rejection to typically 48dB. This process is fully automated and self-contained.

3.5.13. Image and RSSI Calibration

Calibration of the I and Q signal is required to improve the RSSI precision, as well as good Image Rejection performance. On the SX1238, IQ calibration is seamless and user-transparent. Calibration is launched:

- ◆ Automatically at Power On Reset or after a Manual Reset of the chip (refer to section [7.2]). For applications where the temperature remains stable, or if the Image Rejection is not a major concern, this one-shot calibration will suffice
- ◆ Automatically when a pre-defined temperature change is observed
- ◆ Upon User request, by setting bit *ImageCalStart* in *RegImageCal*

A selectable temperature change, set with *TempThreshold* (5, 10, 15 or 20°C), is detected and reported in *TempChange*, if the temperature monitoring is turned On with *TempMonitorOff*=0.

This interrupt flag can be used by the application to launch a new Image Calibration at a convenient time if *AutoImageCalOn*=0, or immediately when this temperature variation is detected, if *AutoImageCalOn*=1.

The calibration process takes approximately 10ms.

3.6. Temperature Measurement

A stand alone temperature measurement block is used in order to measure the temperature in any mode except Sleep and Standby. It is enabled by default, and can be stopped by setting *TempMonitorOff* to 1. The result of the measurement is stored in *TempValue* in *RegTemp*.

Due to process variations, the absolute accuracy of the result is +/- 10 °C. A more precise result needs initial calibration to be done externally.

Example temperature curve, typical device

	Correction Factor		15
Actual Temp [Celsius]	RegTemp [Dec]	Temp before calibration [°C]	Temp after calibration [°C]
85	181	74	89
75	190	65	80
65	201	54	69
55	211	44	59
45	222	33	48
35	232	23	38
25	245	10	25
15	0	0	15
5	10	-10	5
-5	21	-21	-6
-15	33	-33	-18
-25	44	-44	-29
-35	56	-56	-41
-40	63	-63	-48

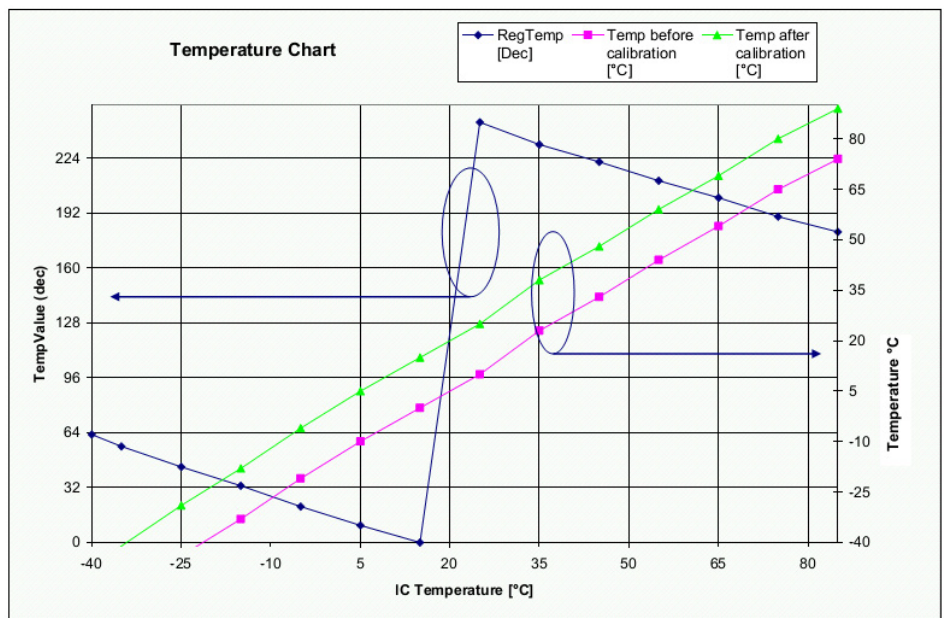


Figure 15. Temperature Sensor Response

An example code for the conversion to be applied to *TempValue* to obtain the reading in °C is shown in Section [7].

3.7. Timeout Function

The SX1238 includes a Timeout function, which allows it to automatically shut-down the receiver after a receive sequence and therefore save energy.

- ◆ *Timeout* interrupt is generated $TimeoutRxRssi \times 16 \times Tbit$ after switching to Rx mode if the *Rssi* flag does not raise within this time frame ($RssiValue > RssiThreshold$)
- ◆ *Timeout* interrupt is generated $TimeoutRxPreamble \times 16 \times Tbit$ after switching to Rx mode if the *PreambleDetect* flag does not raise within this time frame
- ◆ *Timeout* interrupt is generated $TimeoutSignalSync \times 16 \times Tbit$ after switching to Rx mode if the *SyncAddress* flag does not raise within this time frame

This timeout interrupt can be used to warn the companion processor to shut down the receiver and return to a lower power mode. To become active, these timeouts must also be enabled by setting the correct *RxTrigger* parameters in *RegRxConfig*:

Table 16 *RxTrigger* Settings to Enable Timeout Interrupts

Receiver Triggering Event	RxTrigger (2:0)	Timeout on Rssi	Timeout on Preamble	Timeout on SyncAddress
None	000	Off	Off	Active
<i>Rssi</i> Interrupt	001	Active	Off	
<i>PreambleDetect</i>	110	Off	Active	
<i>Rssi</i> Interrupt & <i>PreambleDetect</i>	111	Active	Active	

4. Operating Modes

4.1. General Overview

The SX1238 has several working modes, manually programmed in *RegOpMode*. Fully automated mode selection, packet transmission and reception is also possible using the Top Level Sequencer described in Section [4.5]. For proper operation, it is important that the Front End is configured as described in Section [2.4.5]. Specifically, insure that in Transmit mode, TXON = 1 and in Receive Mode, TXON = 0, RXON = 1, MODE = 0 or 1.

Table 17 Basic Transceiver Modes

Mode	Selected mode	Enabled blocks
0 0 0	Sleep mode	None
0 0 1	Standby mode	Top regulator and crystal oscillator
0 1 0	FSTx: Frequency synthesiser to Tx frequency	Frequency synthesizer at Tx frequency (Frf)
0 1 1	Transmit mode (Tx)	Frequency synthesizer and transmitter
1 0 0	FSRx: Frequency synthesiser to Rx frequency	Frequency synthesizer at frequency for reception (Frf-IF)
1 0 1	Receive mode (Rx)	Frequency synthesizer and receiver

When switching from a mode to another one, the sub-blocks are woken up according to a pre-defined and optimized sequence.

4.2. Startup Times

The startup time of the transmitter or the receiver is dependant upon which mode the transceiver was in at the beginning. For a complete description, Figure 16 below shows a complete startup process, from the lower power mode “Sleep”.

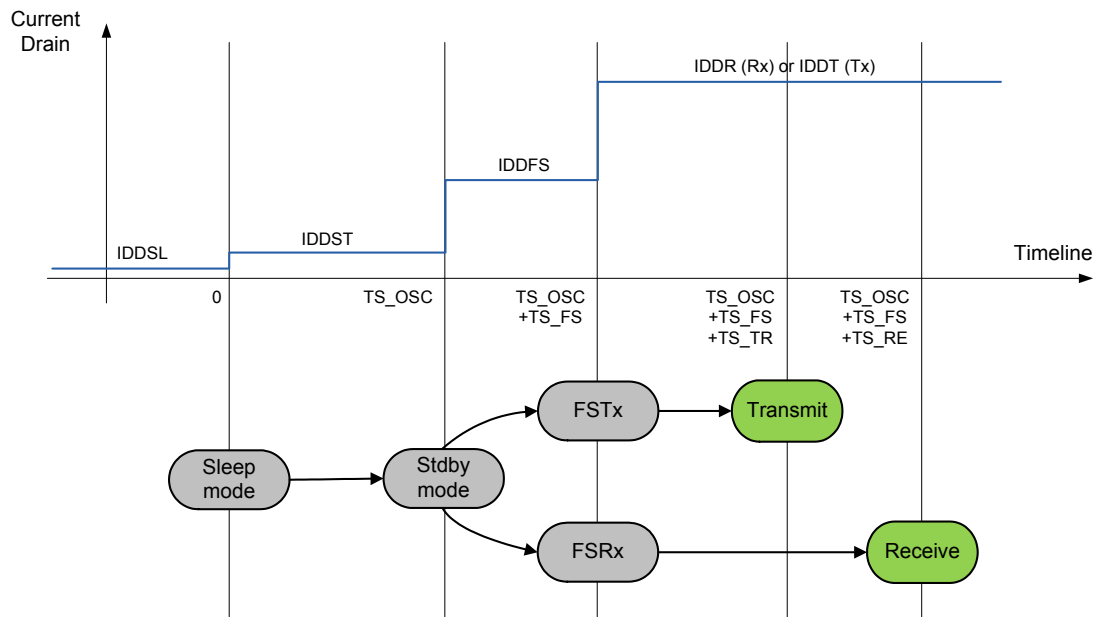


Figure 16. Startup Process

TS_OSC is the startup time of the crystal oscillator, and mainly depends on the characteristics of the crystal itself. TS_FS is the startup time of the PLL, and it includes a systematic calibration of the VCO.

4.2.1. Transmitter Startup Time

The transmitter startup time, TS_TR, is calculated as follows, in when FSK modulation is selected:

$$TS_TR = 5\mu s + 1.25 \times PaRamp + \frac{1}{2} \times Tbit$$

where *PaRamp* is the ramp-up time programmed in *RegPaRamp* and *Tbit* is the bit time.

In OOK mode, this equation can be simplified to the following:

$$TS_TR = 5\mu s + \frac{1}{2} \times Tbit$$

4.2.2. Receiver Startup Time

The receiver startup time, TS_RE, only depends upon the receiver bandwidth effective at the time of startup. When AFC is enabled (*AfcAutoOn*=1), *AfcBw* should be used instead of *RxBw* to extract the receiver startup time:

Table 18 Receiver Startup Time Summary

<i>RxBw</i> if <i>AfcAutoOn</i> =0 <i>RxBwAfc</i> if <i>AfcAutoOn</i> =1	TS_RE (+/-5%)
2.6 kHz	2.33ms
3.1 kHz	1.94ms
3.9 kHz	1.56ms
5.2 kHz	1.18ms
6.3 kHz	984us
7.8 kHz	791us
10.4 kHz	601us
12.5 kHz	504us
15.6 kHz	407us
20.8 kHz	313us
25.0 kHz	264us
31.3 kHz	215us
41.7 kHz	169us
50.0 kHz	144us
62.5 kHz	119us
83.3 kHz	97us
100.0 kHz	84us
125.0 kHz	71us
166.7 kHz	85us
200.0 kHz	74us
250.0 kHz	63us

TS_RE or later after setting the device in Receive mode, any incoming packet will be detected and demodulated by the transceiver.

4.2.3. Time to RSSI Evaluation

The first RSSI sample will be available TS_RSSI after the receiver is ready, in other words TS_RE + TS_RSSI after the receiver was requested to turn on.

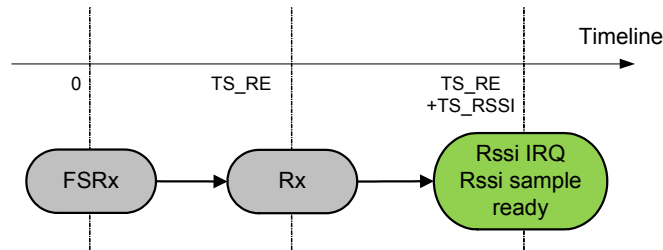


Figure 17. Time to Rssi Sample

TS_RSSI depends on the receiver bandwidth, as well as the *RssiSmoothing* option that was selected. The formula used to calculate TS_RSSI is provided in section [3.5.4].

4.2.4. Tx to Rx Turnaround Time

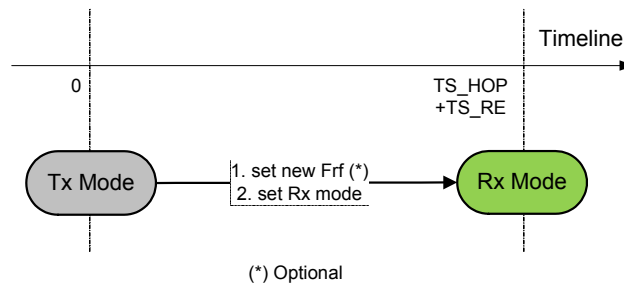


Figure 18. Tx to Rx Turnaround

Note the SPI instruction times are omitted, as they can generally be very small as compared to other timings (up to 10MHz SPI clock)

4.2.5. Rx to Tx

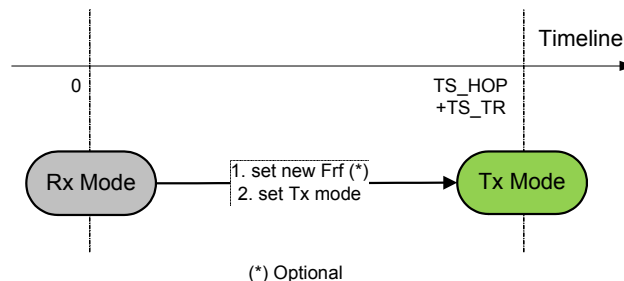


Figure 19. Rx to Tx Turnaround

4.2.6. Receiver Hopping, Rx to Rx

Two methods are possible:

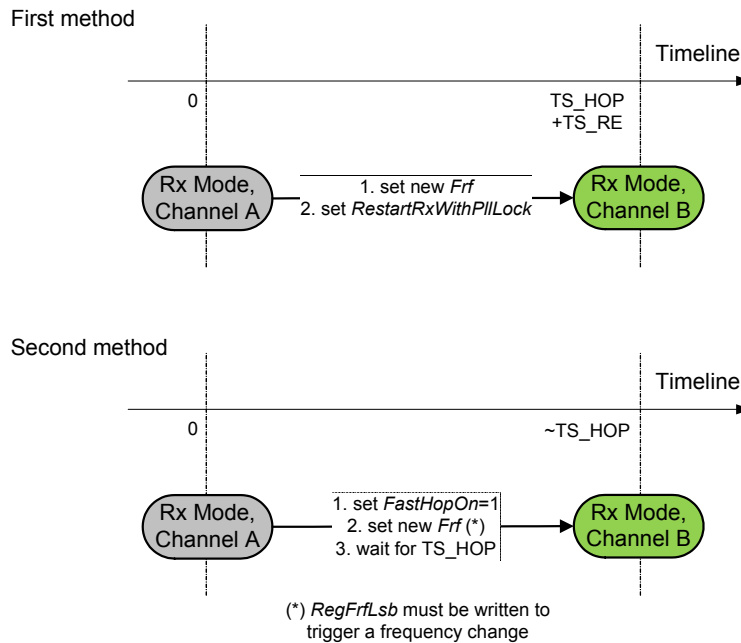


Figure 20. Receiver Hopping

The second method is quicker, and should be used if a very quick RF sniffing mechanism is implemented.

4.2.7. Tx to Tx

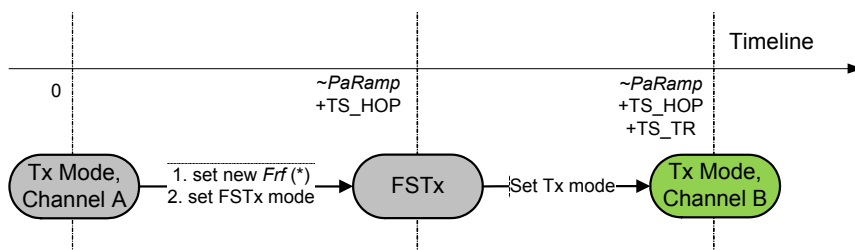


Figure 21. Transmitter Hopping

4.3. Receiver Startup Options

The SX1238 receiver can automatically control the gain of its receiver chain (AGC) and adjust its receiver LO frequency (AFC). Those processes are carried out on a packet-by-packet basis, and they occur:

- ◆ when the receiver is turned On
- ◆ when the Receiver is restarted upon user request, through the use of trigger bits *RestartRxWithoutPllLock* or *RestartRxWithPllLock*, in *RegRxConfig*.
- ◆ when the receiver is automatically restarted after the reception of a valid packet, or after a packet collision.

Automatic restart capabilities are detailed in section [4.4].

Several receiver startup options are offered in the state machine of the SX1238, and they are described in Table 19:

Table 19 Receiver Startup Options

Triggering Event	Realized Function	AgcAutoOn	AfcAutoOn	RxTrigger (2:0)
None	None	0	0	000
Rssi Interrupt	AGC	1	0	001
	AGC & AFC	1	1	001
PreambleDetect	AGC	1	0	110
	AGC & AFC	1	1	110
Rssi Interrupt & PreambleDetect	AGC	1	0	111
	AGC & AFC	1	1	111

When *AgcAutoOn*=0, the LNA gain is manually selected by choosing *LnaGain* bits in *RegLna*.

4.4. Receiver Restarting Methods

It may be useful to restart the receiver, for example to prepare for the reception of a new signal whose strength may widely differ from the previous packet receiver, or whose carrier frequency may be different, required a new AFC. A few options are proposed:

4.4.1. Restart Upon User Request

At any point in time, when the device is in Receive mode, the user can restart the receiver; this is particularly useful in conjunction with the use of a Timeout, whereby the receiver would need restarting if it had not detected any incoming packet after a few milliseconds of channel scanning. Two options are available:

- ◆ No change in the Local Oscillator upon restart: the AFC is disabled, and the *Frf* register has not been changed through SPI before the restart instruction: set bit *RestartRxWithoutPllLock* in *RegRxConfig* to 1.
- ◆ Local Oscillator change upon restart: if AFC is enabled (*AfcAutoOn*=1), and/or the *Frf* register had been changed during the last Rx period: set bit *RestartRxWithPllLock* in *RegRxConfig* to 1.

Note *ModeReady* must be at logic level 1 for a new *RestartRx* command to be taken into account.

4.4.2. Automatic Restart after valid Packet Reception

The bits *AutoRestartRxMode* in *RegSyncConfig* control the automatic restart feature of the SX1238 receiver, when a valid packet has been received:

- ◆ If *AutoRestartRxMode* = 00, the function is off, and the user should manually restart the receiver upon valid packet reception (see section [4.4.1]).
- ◆ If *AutoRestartRxMode* = 01, after the user has emptied the FIFO following a *PayloadReady* interrupt, the receiver will automatically restart itself after a delay of *InterPacketRxDelay*, allowing for the distant transmitter to ramp down, hence avoiding a false RSSI detection on the “tail” of the previous packet.
- ◆ If *AutoRestartRxMode* = 10 should be used if the next reception is expected on a new frequency, i.e. *Frf* is changed after the reception of the previous packet. An additional delay is systematically added, in order for the PLL to lock at a new frequency.

4.4.3. Automatic Restart when Packet Collision is Detected

At any stage during reception, the receiver is able to spontaneously detect a packet collision, and restart itself. Collisions are detected by a sudden rise in received signal strength, detected by the RSSI blocks. This function can be useful in star network configurations, where a master node may be transmitted packet at random times, from different end-points located at various distances.

The collision detector is enabled by setting bit *RestartRxOnCollision* to 1.

The decision to restart the receiver is based on the detection of RSSI change. The sensitivity of the system can be adjusted in 1dB steps, with *RssiCollisionThreshold* in *RegRxConfig*.

4.5. Top Level Sequencer

Depending on the application, it is desirable to be able to change the mode of the circuit according to a predefined sequence without access to the serial interface. Listen mode and Auto Modes as defined in SX1238 are example of such predefined sequences. In order to define different sequences or scenarios a user-programmable state machine, called Top Level Sequencer (Sequencer in short), can automatically control the chip modes.

The Sequencer is activated by setting *SequencerStart* in *RegSeqConfig1* to 1 in Sleep or Standby mode.

It is also possible to force the Idle state of the Sequencer by setting *SequencerStop* to 1 at any time.

4.5.1. Sequencer States

The Sequencer takes control of the chip operation over 7 possible states:

Table 20 Sequencer States

Sequencer State	Description
SequencerIdle State	The Sequencer is not activated. Sending a <i>SequencerStart</i> command will launch it. <i>Note: the Idle state of the Sequencer is independant of the actual chip Mode. For example, the Sequencer can be Idle, whilst the chip is in Rx mode.</i> When coming from a LowPower request, the Sequencer will be Idle in Sleep mode.
WaitFifo State	The Sequencer waits for <i>FifoThreshold</i> interrupt before entering the Transmit state.

Sequencer State	Description
LowPower State	The chip is in low-power mode, either Standby or Sleep, as defined in <i>SequencerLowPowerState</i> . The Sequencer waits only for the Timer1 interrupt.
Transmit State	The transmitter in on.
Receive State	The receiver in on.
PacketReceived State	The receiver is on and a packet has been received. It is stored in the FIFO.
ReceiveRestart State	The receiver is re-started, for example to start a new AGC and/or AFC after a valid packet reception.

4.5.2. Sequencer Transitions

The transitions between states are listed in the following table.

Table 21 Sequencer Transition Options

Variable	Transition
<i>IdleMode</i>	Selects the chip mode during Idle state: 0: <i>Standby</i> mode 1: <i>Sleep</i> mode
<i>FromStart</i>	Controls the Sequencer transition when the <i>SequencerStart</i> bit is set to 1 in <i>Sleep</i> or <i>Standby</i> mode: 00: to LowPowerSelection 01: to Receive state 10: to Transmit state 11: to Transmit state on a <i>FifoThreshold</i> interrupt
<i>LowPowerSelection</i>	Selects Sequencer LowPower state after a <i>to LowPowerSelection</i> transition 0: SequencerOff state with chip on Initial mode 1: Idle state with chip on <i>Standby</i> or <i>Sleep</i> mode depending on IdleMode Note: Initial mode is the chip LowPower mode at Sequencer start.
<i>FromIdle</i>	Controls the Sequencer transition from the Idle state on a <i>T1</i> interrupt: 0: to Transmit state 1: to Receive state
<i>FromTransmit</i>	Controls the Sequencer transition from the Transmit state: 0: to LowPowerSelection on a <i>PacketSent</i> interrupt 1: to Receive state on a <i>PacketSent</i> interrupt

<i>FromReceive</i>	Controls the Sequencer transition from the Receive state: 000 and 111: unused 001: to PacketReceived state on a <i>PayloadReady</i> interrupt 010: to LowPowerSelection on a <i>PayloadReady</i> interrupt 011: to PacketReceived state on a <i>CrcOk</i> interrupt. If CRC is wrong (corrupted packet, with CRC on but <i>CrcAutoClearOn</i> is off), the <i>PayloadReady</i> interrupt will drive the sequencer to <i>RxTimeout</i> state. 100: to SequencerOff state on a <i>Rssi</i> interrupt 101: to SequencerOff state on a <i>SyncAddress</i> interrupt 110: to SequencerOff state on a <i>PreambleDetect</i> interrupt Irrespective of this setting, transition to LowPowerSelection on a <i>T2</i> interrupt
<i>FromRxTimeout</i>	Controls the state-machine transition from the Receive state on a <i>RxTimeout</i> interrupt (and on <i>PayloadReady</i> if FromReceive = 011): 00: to Receive state via <i>ReceiveRestart</i> 01: to Transmit state 10: to LowPowerSelection 11: to SequencerOff state Note: <i>RxTimeout</i> interrupt is a <i>TimeoutRxRssi</i> , <i>TimeoutRxPreamble</i> or <i>TimeoutSignalSync</i> interrupt.
<i>FromPacketReceived</i>	Controls the state-machine transition from the PacketReceived state: 000: to SequencerOff state 001: to Transmit on a <i>FifoEmpty</i> interrupt 010: to LowPowerSelection 011: to Receive via <i>FS</i> mode, if frequency was changed 100: to Receive state (no frequency change)

4.5.3. Timers

Two timers (Timer1 and Timer2) are also available in order to define periodic sequences. These timers are used to generate interrupts, which can trigger transitions of the Sequencer.

T1 interrupt is generated ($\text{Timer1Resolution} * \text{Timer1Coefficient}$) after ***T2* interrupt** or ***SequencerStart*** command.

T2 interrupt is generated ($\text{Timer2Resolution} * \text{Timer2Coefficient}$) after ***T1* interrupt**.

The timers' mechanism is summarized on the following diagram.

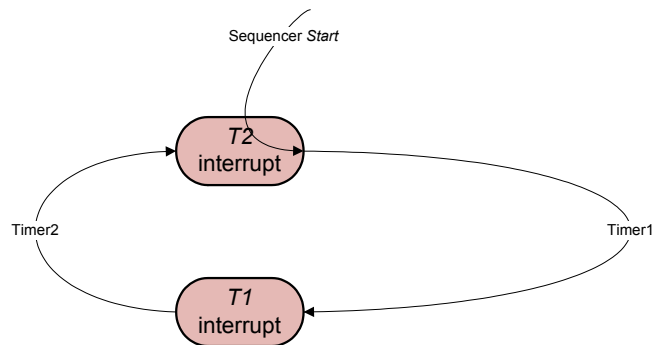


Figure 22. Timer1 and Timer2 Mechanism

Note *The timer sequence is completed independently of the actual Sequencer state. Thus, both timers need to be on to achieve a periodic cycling.*

Table 22 Sequencer Timer Settings

Variable	Description
Timer1Resolution	Resolution of Timer1 00: disabled 01: 64 us 10: 4.1 ms 11: 262 ms
Timer2Resolution	Resolution of Timer2 00: disabled 01: 64 us 10: 4.1 ms 11: 262 ms
Timer1Coefficient	Multiplying coefficient for Timer1
Timer2Coefficient	Multiplying coefficient for Timer2

4.5.4. Sequencer State Machine

The following graphs summarize every possible transition between each Sequencer state. The Sequencer states are highlighted in grey. The transitions are represented by arrows. The condition activating them is described over the transition arrow. For better readability, the start transitions are separated from the rest of the graph.

Transitory states are highlighted in light grey, and exit states are represented in red. It is also possible to force the Sequencer off by setting the *Stop* bit in *RegSeqConfig1* to 1 at any time.

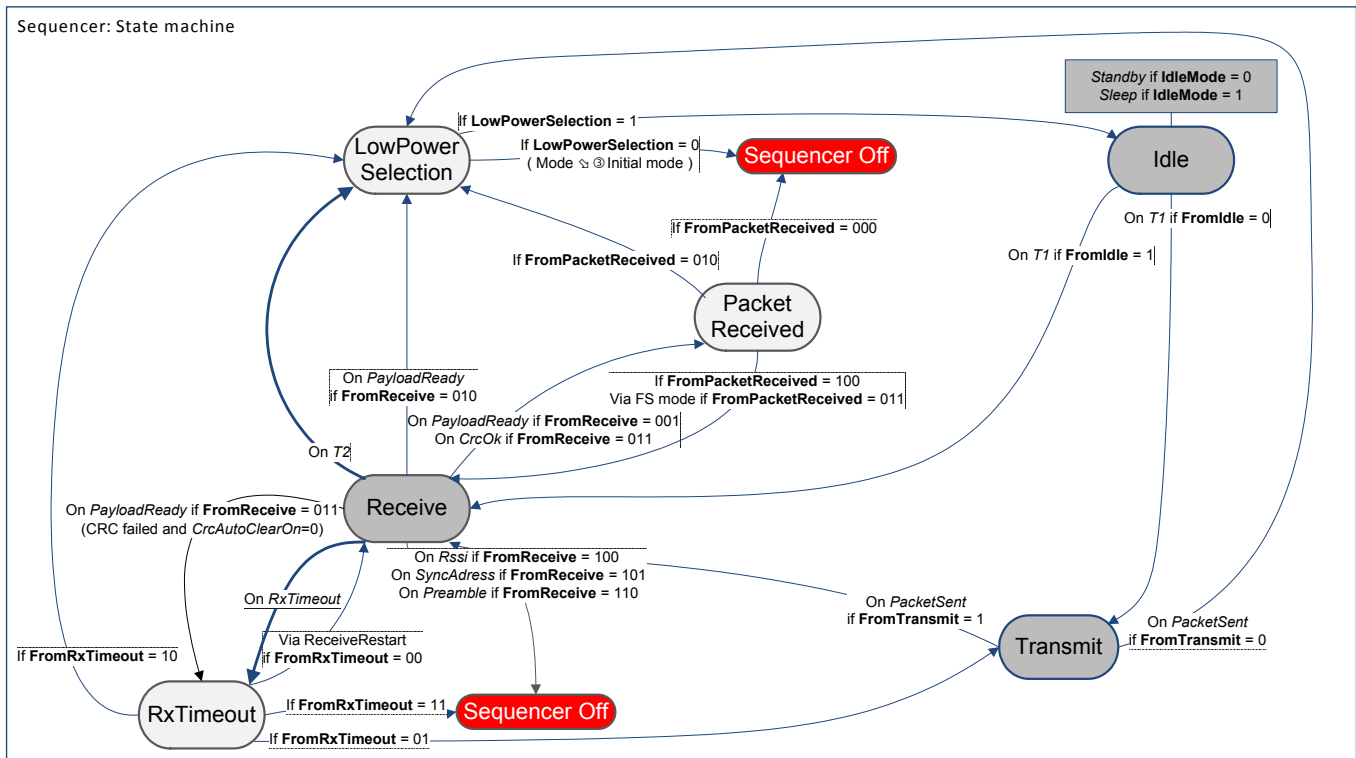
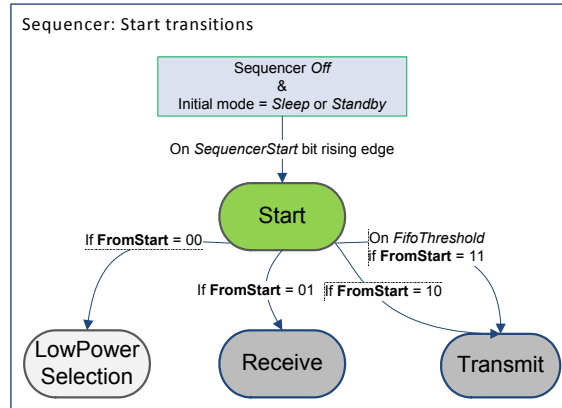


Figure 23. Sequencer State Machine

Use cases of the Top Sequencer are detailed in Section [7].

5. Data Processing

5.1. Overview

5.1.1. Block Diagram

Figure 22 below illustrates the SX1238 data processing circuit. Its role is to interface the data to/from the modulator/demodulator and the uC access points (SPI and DIO pins). It also controls all the configuration registers.

The circuit contains several control blocks which are described in the following paragraphs.

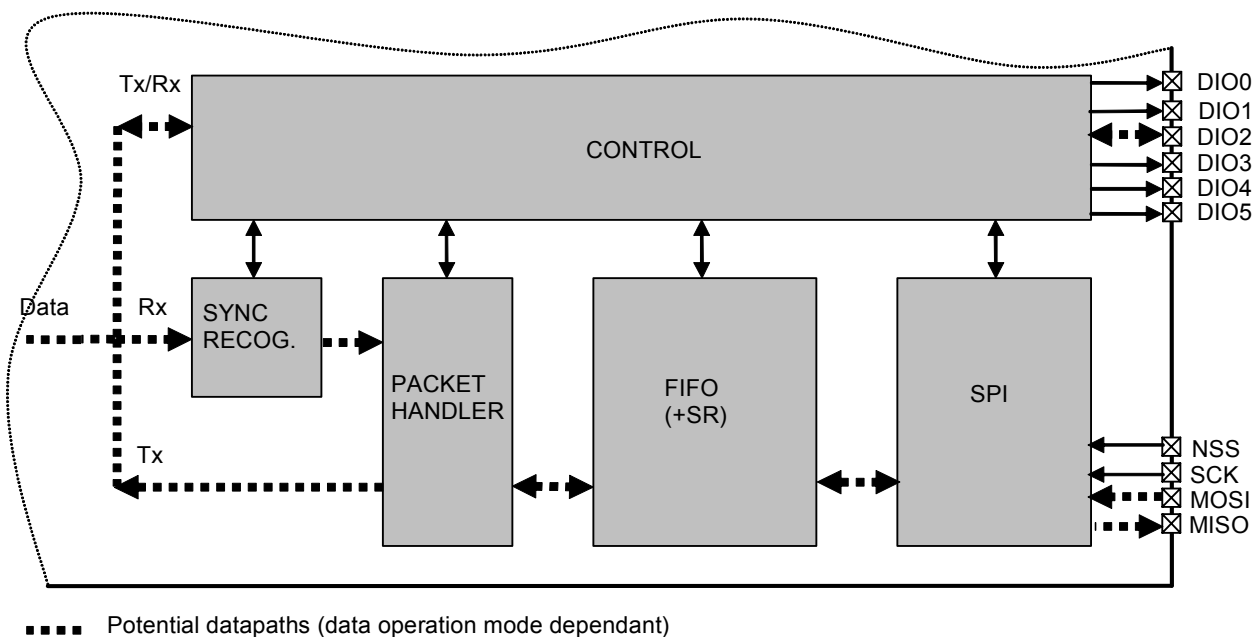


Figure 24. SX1238 Data Processing Conceptual View

The SX1238 implements several data operation modes, each with their own data path through the data processing section. Depending on the data operation mode selected, some control blocks are active whilst others remain disabled.

5.1.2. Data Operation Modes

The SX1238 has two different data operation modes selectable by the user:

- ◆ **Continuous mode:** each bit transmitted or received is accessed in real time at the DIO2/DATA pin. This mode may be used if adequate external signal processing is available.
- ◆ **Packet mode (recommended):** user only provides/retrieves payload bytes to/from the FIFO. The packet is automatically built with preamble, Sync word, and optional CRC and DC-free encoding schemes. The reverse operation is performed in reception. The uC processing overhead is hence significantly reduced compared to Continuous mode. Depending on the optional features activated (CRC, etc) the maximum payload length is limited to 255, 2047 bytes or unlimited.

Each of these data operation modes is fully described in the following sections.

5.2. Control Block Description

5.2.1. SPI Interface

The SPI interface gives access to the configuration register via a synchronous full-duplex protocol corresponding to CPOL = 0 and CPHA = 0 in Motorola/Freescale nomenclature. Only the slave side is implemented.

Three access modes to the registers are provided:

- ◆ **SINGLE access:** an address byte followed by a data byte is sent for a write access whereas an address byte is sent and a read byte is received for the read access. The NSS pin goes low at the beginning of the frame and goes high after the data byte.
- ◆ **BURST access:** the address byte is followed by several data bytes. The address is automatically incremented internally between each data byte. This mode is available for both read and write accesses. The NSS pin goes low at the beginning of the frame and stay low between each byte. It goes high only after the last byte transfer.
- ◆ **FIFO access:** if the address byte corresponds to the address of the FIFO, then succeeding data byte will address the FIFO. The address is not automatically incremented but is memorized and does not need to be sent between each data byte. The NSS pin goes low at the beginning of the frame and stay low between each byte. It goes high only after the last byte transfer.

Figure 23 below shows a typical SPI single access to a register.

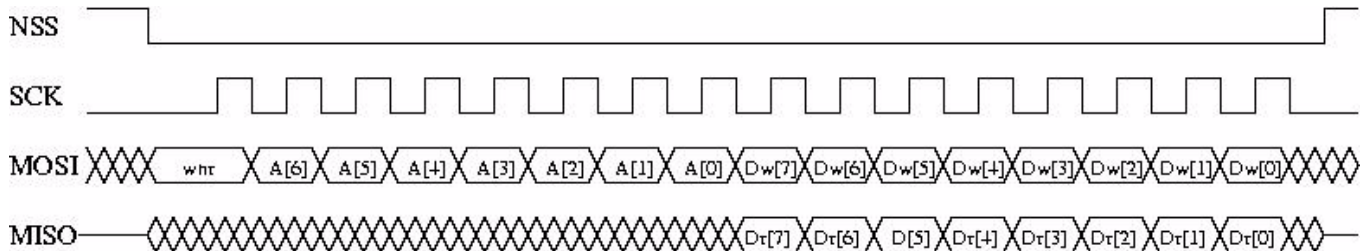


Figure 25. SPI Timing Diagram (single access)

MOSI is generated by the master on the falling edge of SCK and is sampled by the slave (i.e. this SPI interface) on the rising edge of SCK. MISO is generated by the slave on the falling edge of SCK.

A transfer always starts by the NSS pin going low. MISO is high impedance when NSS is high.

The first byte is the address byte. It is made of:

- ◆ wnr bit, which is 1 for write access and 0 for read access
- ◆ 7 bits of address, MSB first

The second byte is a data byte, either sent on MOSI by the master in case of a write access, or received by the master on MISO in case of read access. The data byte is transmitted MSB first.

Proceeding bytes may be sent on MOSI (for write access) or received on MISO (for read access) without rising NSS and re-sending the address. In FIFO mode, if the address was the FIFO address then the bytes will be written / read at the FIFO address. In Burst mode, if the address was not the FIFO address, then it is automatically incremented at each new byte received.

The frame ends when NSS goes high. The next frame must start with an address byte. The SINGLE access mode is actually a special case of FIFO / BURST mode with only 1 data byte transferred.

During the write access, the byte transferred from the slave to the master on the MISO line is the value of the written register before the write operation.

5.2.2. FIFO

5.2.2.1. Overview and Shift Register (SR)

In packet mode of operation, both data to be transmitted and that has been received are stored in a configurable FIFO (First In First Out) device. It is accessed via the SPI interface and provides several interrupts for transfer management.

The FIFO is 1 byte wide hence it only performs byte (parallel) operations, whereas the demodulator functions serially. A shift register is therefore employed to interface the two devices. In transmit mode it takes bytes from the FIFO and outputs them serially (MSB first) at the programmed bit rate to the modulator. Similarly, in Rx, the shift register gets bit by bit data from the demodulator and writes them byte by byte to the FIFO. This is illustrated in Figure 26 below.

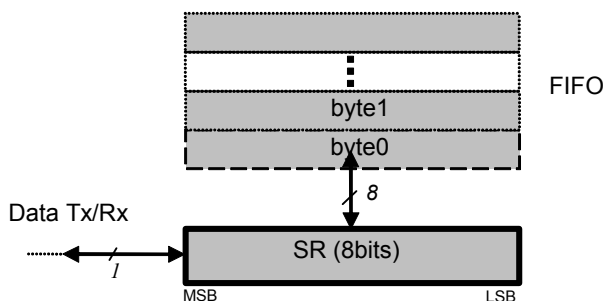


Figure 26. FIFO and Shift Register (SR)

Note: When switching to Sleep mode, the FIFO can only be used once the ModeReady flag is set (quasi immediate from all modes except from Tx).

5.2.2.2. Size

The FIFO size is fixed to 64 bytes.

5.2.2.3. Interrupt Sources and Flags

- ◆ **FifoEmpty:** *FifoEmpty* interrupt source is high when byte 0, i.e. whole FIFO, is empty. Otherwise it is low. Note that when retrieving data from the FIFO, *FifoEmpty* is updated on NSS falling edge, i.e. when *FifoEmpty* is updated to low state the currently started read operation must be completed. In other words, *FifoEmpty* state must be checked after each read operation for a decision on the next one (*FifoEmpty* = 0: more byte(s) to read; *FifoEmpty* = 1: no more byte to read).

- ◆ *FifoFull*: *FifoFull* interrupt source is high when the last FIFO byte, i.e. the whole FIFO, is full. Otherwise it is low.
- ◆ *FifoOverrunFlag*: *FifoOverrunFlag* is set when a new byte is written by the user (in Tx or Standby modes) or the SR (in Rx mode) while the FIFO is already full. Data is lost and the flag should be cleared by writing a 1, note that the FIFO will also be cleared.
- ◆ *PacketSent*: *PacketSent* interrupt source goes high when the SR's last bit has been sent.
- ◆ *FifoLevel*: Threshold can be programmed by *FifoThreshold* in *RegFifoThresh*. Its behavior is illustrated in figure 25 below.

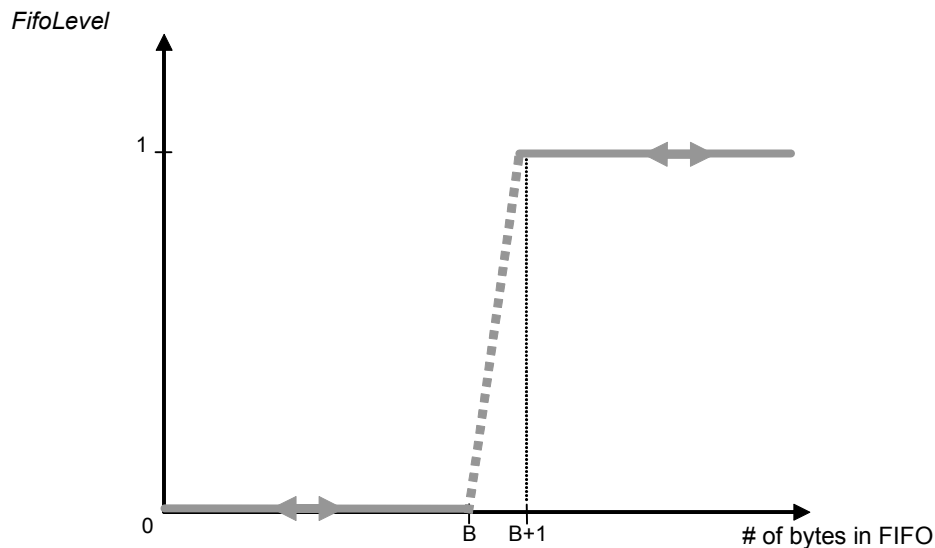


Figure 27. *FifoLevel* IRQ Source Behavior

Notes: - *FifoLevel* interrupt is updated only after a read or write operation on the FIFO. Thus the interrupt cannot be dynamically updated by only changing the *FifoThreshold* parameter.

- *FifoLevel* interrupt is valid as long as *FifoFull* does not occur. An empty FIFO will restore its normal operation.

5.2.2.4. FIFO Clearing

Table 23 below summarizes the status of the FIFO when switching between different modes.

Table 23 Status of FIFO when Switching Between Different Modes of the Chip

From	To	FIFO status	Comments
Stdby	Sleep	Not cleared	
Sleep	Stdby	Not cleared	
Stdby/Sleep	Tx	Not cleared	To allow the user to write the FIFO in Stdby/Sleep before Tx
Stdby/Sleep	Rx	Cleared	
Rx	Tx	Cleared	
Rx	Stdby/Sleep	Not cleared	To allow the user to read FIFO in Stdby/Sleep mode after Rx
Tx	Any	Cleared	

5.2.3. Sync Word Recognition

5.2.3.1. Overview

Sync word recognition (also called Pattern recognition) is activated by setting *SyncOn* in *RegSyncConfig*. The bit synchronizer must also be activated in Continuous mode (automatically done in Packet mode).

The block behaves like a shift register; it continuously compares the incoming data with its internally programmed Sync word and sets *SyncAddressMatch* when a match is detected. This is illustrated in Figure 28 below.

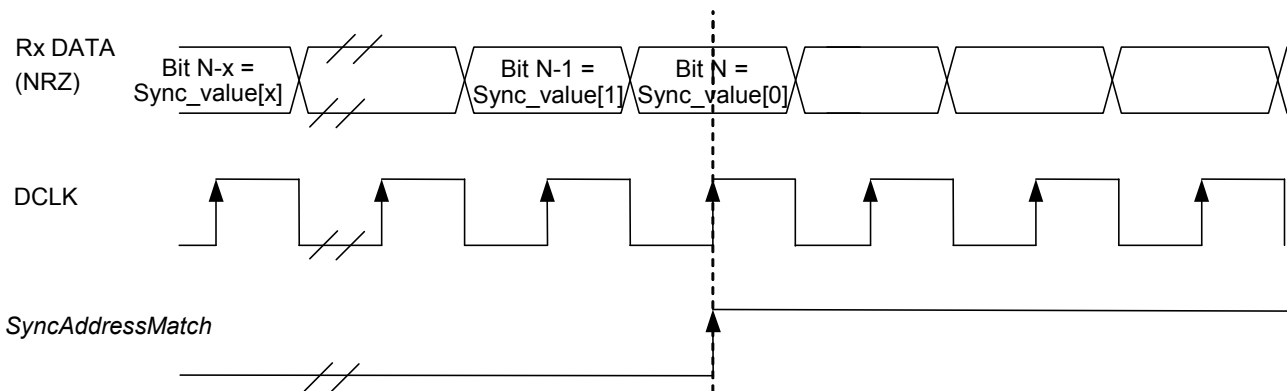


Figure 28. Sync Word Recognition

During the comparison of the demodulated data, the first bit received is compared with bit 7 (MSB) of *RegSyncValue1* and the last bit received is compared with bit 0 (LSB) of the last byte whose address is determined by the length of the Sync word.

When the programmed Sync word is detected the user can assume that this incoming packet is for the node and can be processed accordingly.

SyncAddressMatch is cleared when leaving Rx or FIFO is emptied.

5.2.3.2. Configuration

- ◆ Size: Sync word size can be set from 1 to 8 bytes (i.e. 8 to 64 bits) via *SyncSize* in *RegSyncConfig*. In Packet mode this field is also used for Sync word generation in Tx mode.
- ◆ Value: The Sync word value is configured in *SyncValue(63:0)*. In Packet mode this field is also used for Sync word generation in Tx mode.

Note: *SyncValue* choices containing 0x00 bytes are not allowed.

5.2.4. Packet Handler

The packet handler is the block used in Packet mode. Its functionality is fully described in section [5.5].

5.2.5. Control

The control block configures and controls the full chip's behavior according to the settings programmed in the configuration registers.

5.3. Digital IO Pins Mapping

Six general purpose IO pins are available on the SX1238, and their configuration in Continuous or Packet mode is controlled through *RegDioMapping1* and *RegDioMapping2*.

Table 24 DIO Mapping, Continuous Mode

Mode	Diox Mapping	DIO5	DIO4	DIO3	DIO2	DIO1	DIO0
Sleep	00	-	-	-	-	-	-
	01	-	-	-	-	-	-
	10	-	-	-	-	-	-
	11	-	-	-	-	-	-
Stdby	00	ClkOut	TempChange/ LowBat	-	-	-	-
	01	-	-	-	-	-	-
	10	-	-	-	-	-	-
	11	ModeReady	ModeReady	TempChange/ LowBat	-	-	-
FSRx or FSTx	00	ClkOut	TempChange/ LowBat	-	-	-	-
	01	PllLock	PllLock	-	-	-	-
	10	-	-	AutoMode	-	-	-
	11	ModeReady	ModeReady	TempChange/ LowBat	-	-	-
Rx	00	ClkOut	TempChange/ LowBat	Timeout	Data	Dclk	SyncAddress
	01	PllLock	PllLock	Rssi/ PreambleDetect	Data	Rssi/ PreambleDetect	Rssi/ PreambleDetect
	10	Rssi/ PreambleDetect	TimeOut	-	Data	-	RxReady
	11	ModeReady	ModeReady	TempChange/ LowBat	Data	-	-
Tx	00	ClkOut	TempChange/ LowBat	-	Data	Dclk	TxReady
	01	PllLock	PllLock	-	Data	-	-
	10	-	-	-	Data	-	-
	11	ModeReady	ModeReady	TempChange/ LowBat	Data	0	0

Table 25 DIO Mapping, Packet Mode

Mode	Diox Mapping	DIO5	DIO4	DIO3	DIO2	DIO1	DIO0
Sleep	00	-	-	FifoEmpty	FifoFull	FifoLevel	-
	01	-	-	-	-	FifoEmpty	-
	10	-	-	FifoEmpty	FifoFull	FifoFull	-
	11	-	-	FifoEmpty	FifoFull	-	TempChange/ LowBat
Stdby	00	ClkOut	TempChange/ LowBat	FifoEmpty	FifoFull	FifoLevel	-
	01	-	-	-	-	FifoEmpty	-
	10	-	-	FifoEmpty	FifoFull	FifoFull	-
	11	ModeReady	-	FifoEmpty	FifoFull	-	TempChange/ LowBat
FSRx or FSTx	00	ClkOut	TempChange/ LowBat	FifoEmpty	FifoFull	FifoLevel	-
	01	PllLock	PllLock	-	-	FifoEmpty	-
	10	-	-	FifoEmpty	FifoFull	FifoFull	-
	11	ModeReady	-	FifoEmpty	FifoFull	-	TempChange/ LowBat
Rx	00	ClkOut	TempChange/ LowBat	FifoEmpty	FifoFull	FifoLevel	PayloadReady
	01	PllLock	PllLock	-	RxReady	FifoEmpty	CrcOk
	10	Data	Timeout	FifoEmpty	Timeout	FifoFull	-
	11	ModeReady	Rssi/ PreambleDetect	FifoEmpty	SyncAddress	-	TempChange/ LowBat
Tx	00	ClkOut	TempChange/ LowBat	FifoEmpty	FifoFull	FifoLevel	PacketSent
	01	PllLock	PllLock	TxReady	-	FifoEmpty	-
	10	Data	-	FifoEmpty	FifoFull	FifoFull	-
	11	ModeReady	-	FifoEmpty	FifoFull	-	TempChange/ LowBat

Note: Received Data is shown on the Data signal when RxReady arises.

5.4. Continuous Mode

5.4.1. General Description

As illustrated in Figure 29, in Continuous mode the NRZ data to (from) the (de)modulator is directly accessed by the uC on the bidirectional DIO2/DATA pin. The FIFO and packet handler are thus inactive.

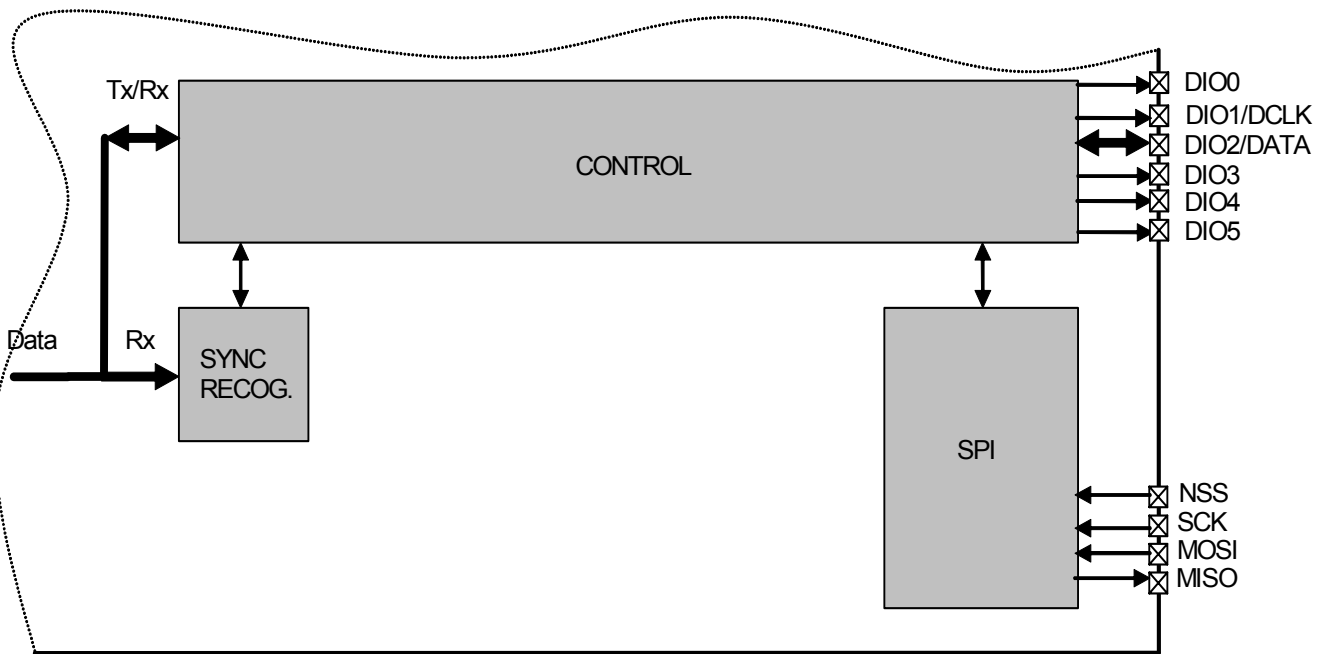


Figure 29. Continuous Mode Conceptual View

5.4.2. Tx Processing

In Tx mode, a synchronous data clock for an external uC is provided on DIO1/DCLK pin. Clock timing with respect to the data is illustrated in Figure 30. DATA is internally sampled on the rising edge of DCLK so the uC can change logic state anytime outside the grayed out setup/hold zone.

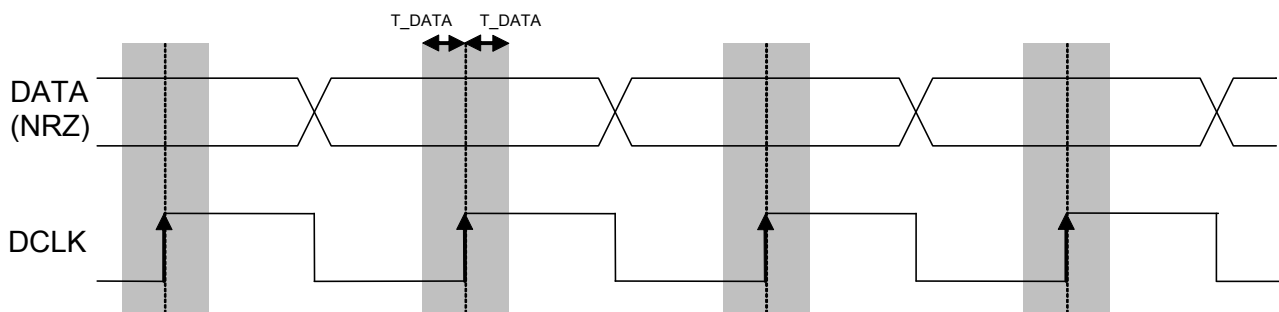


Figure 30. Tx Processing in Continuous Mode

Note: The use of DCLK is required when the modulation shaping is enabled (see section [3.4.5]).

5.4.3. Rx Processing

If the bit synchronizer is disabled, the raw demodulator output is made directly available on DATA pin and no DCLK signal is provided.

Conversely, if the bit synchronizer is enabled, synchronous cleaned data and clock are made available respectively on DIO2/DATA and DIO1/DCLK pins. DATA is sampled on the rising edge of DCLK and updated on the falling edge as illustrated below.

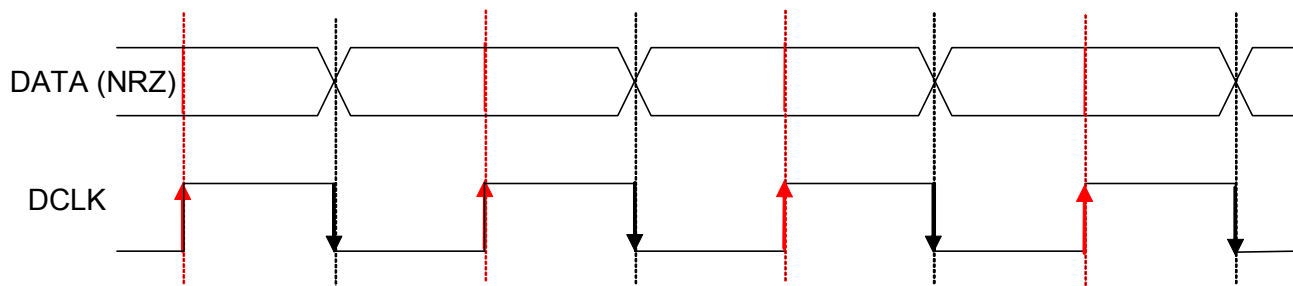


Figure 31. Rx Processing in Continuous Mode

Note: In Continuous mode, it is always recommended to enable the bit synchronizer to clean the DATA signal even if the DCLK signal is not used by the uC (bit synchronizer is automatically enabled in Packet mode).

5.5. Packet Mode

5.5.1. General Description

In Packet mode the NRZ data to (from) the (de)modulator is not directly accessed by the uC but stored in the FIFO and accessed via the SPI interface.

In addition, the SX1238 packet handler performs several packet oriented tasks such as Preamble and Sync word generation, CRC calculation/check, whitening/dewhitening of data, Manchester encoding/decoding, address filtering, etc. This simplifies software and reduces uC overhead by performing these repetitive tasks within the RF chip itself.

Another important feature is ability to fill and empty the FIFO in Sleep/Stdby mode, ensuring optimum power consumption and adding more flexibility for the software.

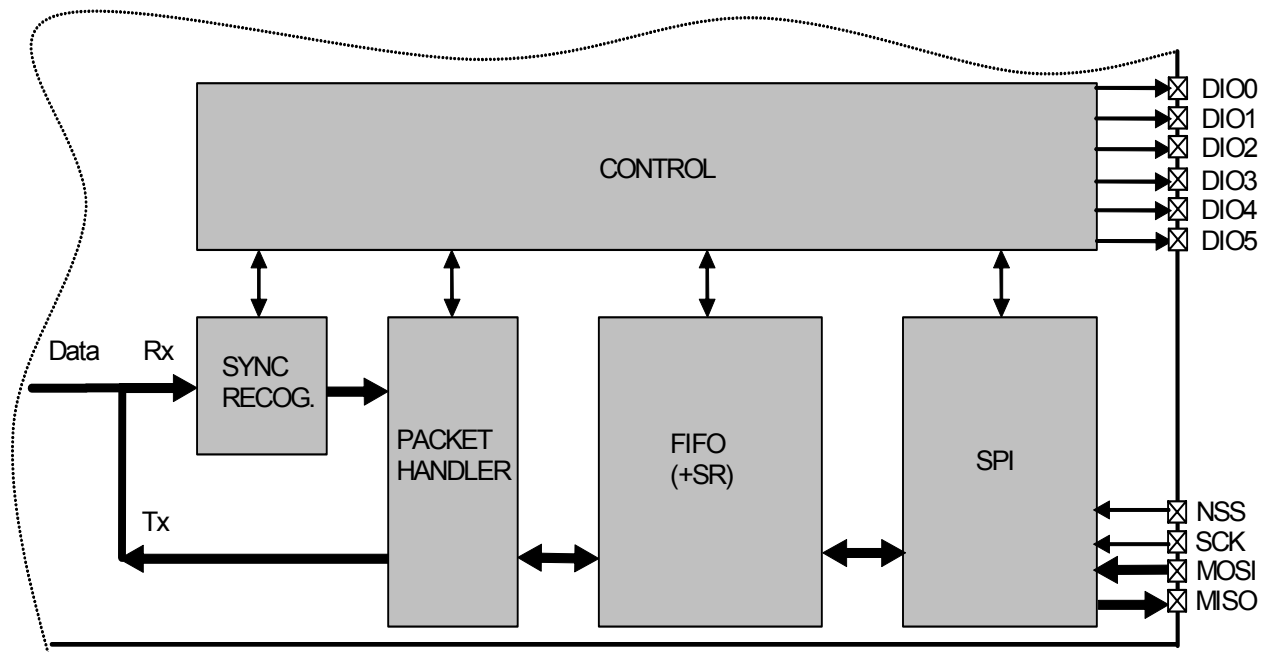


Figure 32. Packet Mode Conceptual View

Note: The Bit Synchronizer is automatically enabled in Packet mode.

5.5.2. Packet Format

5.5.2.1. Fixed Length Packet Format

Fixed length packet format is selected when bit *PacketFormat* is set to 0 and *PayloadLength* is set to any value greater than 0.

In applications where the packet length is fixed in advance, this mode of operation may be of interest to minimize RF overhead (no length byte field is required). All nodes, whether Tx only, Rx only, or Tx/Rx should be programmed with the same packet length value.

The length of the payload is limited to 2047 bytes.

The length programmed in *PayloadLength* relates only to the payload which includes the message and the optional address byte. In this mode, the payload must contain at least one byte, i.e. address or message byte.

An illustration of a fixed length packet is shown below. It contains the following fields:

- ◆ Preamble (1010...)
- ◆ Sync word (Network ID)
- ◆ Optional Address byte (Node ID)
- ◆ Message data
- ◆ Optional 2-bytes CRC checksum

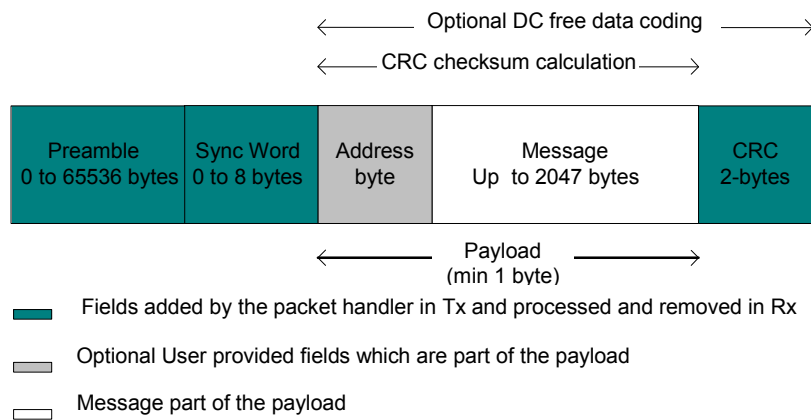


Figure 33. Fixed Length Packet Format

5.5.2.2. Variable Length Packet Format

Variable length packet format is selected when bit *PacketFormat* is set to 1.

This mode is useful in applications where the length of the packet is not known in advance and can vary over time. It is then necessary for the transmitter to send the length information together with each packet in order for the receiver to operate properly.

In this mode the length of the payload, indicated by the length byte, is given by the first byte of the FIFO and is limited to 255 bytes. Note that the length byte itself is not included in its calculation. In this mode, the payload must contain at least 2 bytes, i.e. length + address or message byte.

An illustration of a variable length packet is shown below. It contains the following fields:

- ◆ Preamble (1010...)
- ◆ Sync word (Network ID)
- ◆ Length byte
- ◆ Optional Address byte (Node ID)
- ◆ Message data
- ◆ Optional 2-BytesCRC checksum

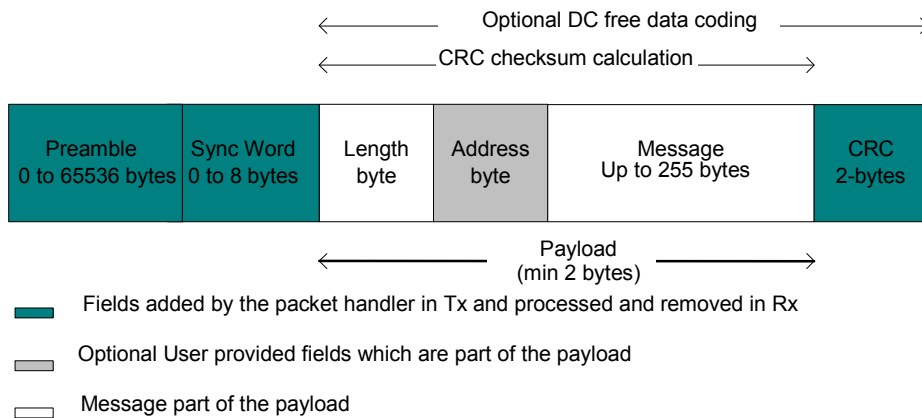


Figure 34. Variable Length Packet Format

5.5.2.3. Unlimited Length Packet Format

Unlimited length packet format is selected when bit *PacketFormat* is set to 0 and *PayloadLength* is set to 0.

The user can then transmit and receive packet of arbitrary length and *PayloadLength* register is not used in Tx/Rx modes for counting the length of the bytes transmitted/received.

In Tx the data is transmitted depending on the *TxStartCondition* bit. On the Rx side the data processing features like Address filtering, Manchester encoding and data whitening are not available if the sync pattern length is set to zero (*SyncOn* = 0). The filling of the FIFO in this case can be controlled by the bit *FifoFillCondition*. The CRC detection in Rx is also not supported in this mode of the packet handler, however CRC generation in Tx is operational. The interrupts like *CrcOk* & *PayloadReady* are not available either.

An unlimited length packet shown in Figure 33 is made up of the following fields:

- ◆ Preamble (1010...).
- ◆ Sync word (Network ID).
- ◆ Optional Address byte (Node ID).
- ◆ Message data
- ◆ Optional 2-bytes CRC checksum (Tx only)

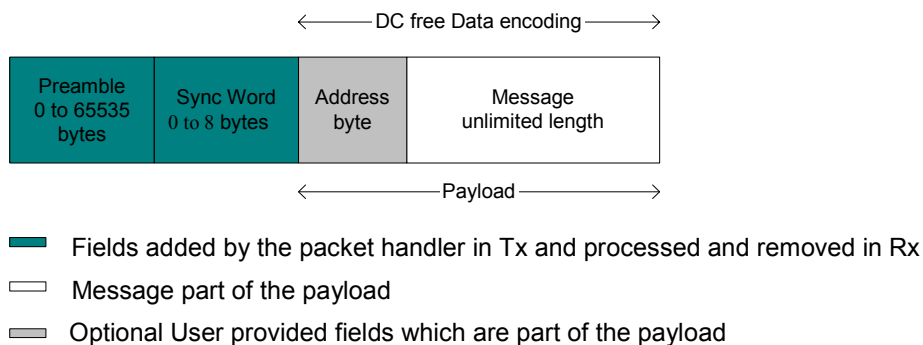


Figure 35. Unlimited Length Packet Format

5.5.3. Tx Processing

In Tx mode the packet handler dynamically builds the packet by performing the following operations on the payload available in the FIFO:

- ◆ Add a programmable number of preamble bytes
- ◆ Add a programmable Sync word
- ◆ Optionally calculating CRC over complete payload field (optional length byte + optional address byte + message) and appending the 2 bytes checksum
- ◆ Optional DC-free encoding of the data (Manchester or whitening)

Only the payload (including optional address and length fields) is required to be provided by the user in the FIFO.

The transmission of packet data is initiated by the Packet Handler only if the chip is in Tx mode and the transmission condition defined by *TxStartCondition* is fulfilled. If transmission condition is not fulfilled then the packet handler transmits a preamble sequence until the condition is met. This happens only if the preamble length $\neq 0$, otherwise it transmits a zero or one until the condition is met to transmit the packet data.

The transmission condition itself is defined as:

- ◆ if *TxStartCondition* = 1, the packet handler waits until the first byte is written into the FIFO, then it starts sending the preamble followed by the sync word and user payload
- ◆ If *TxStartCondition* = 0, the packet handler waits until the number of bytes written in the FIFO is equal to the number defined in *RegFifoThresh* + 1
- ◆ If the condition for transmission was already fulfilled i.e. the FIFO was filled in Sleep/Stdby then the transmission of packet starts immediately on enabling Tx

5.5.4. Rx Processing

In Rx mode the packet handler extracts the user payload to the FIFO by performing the following operations:

- ◆ Receiving the preamble and stripping it off
- ◆ Detecting the Sync word and stripping it off
- ◆ Optional DC-free decoding of data
- ◆ Optionally checking the address byte
- ◆ Optionally checking CRC and reflecting the result on *CrcOk*.

Only the payload (including optional address and length fields) is made available in the FIFO.

When the Rx mode is enabled the demodulator receives the preamble followed by the detection of sync word. If fixed length packet format is enabled then the number of bytes received as the payload is given by the *PayloadLength* parameter.

In variable length mode the first byte received after the sync word is interpreted as the length of the received packet. The internal length counter is initialized to this received length. The *PayloadLength* register is set to a value which is greater

than the maximum expected length of the received packet. If the received length is greater than the maximum length stored in *PayloadLength* register the packet is discarded otherwise the complete packet is received.

If the address check is enabled then the second byte received in case of variable length and first byte in case of fixed length is the address byte. If the address matches with the one in the *NodeAddress* field, reception of the data continues otherwise it is stopped. The CRC check is performed if *CrcOn* = 1 and the result is available in *CrcOk* indicating that the CRC was successful. An interrupt (*PayloadReady*) is also generated on DIO0 as soon as the payload is available in the FIFO. The payload available in the FIFO can also be read in Sleep/Standby mode.

If the CRC fails the *PayloadReady* interrupt is not generated and the FIFO is cleared. This function can be overridden by setting *CrcAutoClearOff* = 1, forcing the availability of *PayloadReady* interrupt and the payload in the FIFO even if the CRC fails.

5.5.5. Handling Large Packets

When *PayloadLength* exceeds FIFO size (64 bytes) whether in fixed, variable or unlimited length packet format, in addition to *PacketSent* in Tx and *PayloadReady* or *CrcOk* in Rx, the FIFO interrupts/flags can be used as described below:

◆ For Tx:

FIFO can be prefilled in Sleep/Standby but must be refilled "on-the-fly" during Tx with the rest of the payload.

- 1) Prefill FIFO (in Sleep/Standby first or directly in Tx mode) until *FifoThreshold* or *FifoFull* is set
- 2) In Tx, wait for *FifoThreshold* or *FifoEmpty* to be set (i.e. FIFO is nearly empty)
- 3) Write bytes into the FIFO until *FifoThreshold* or *FifoFull* is set.
- 4) Continue to step 2 until the entire message has been written to the FIFO (*PacketSent* will fire when the last bit of the packet has been sent).

◆ For Rx:

FIFO must be unfilled "on-the-fly" during Rx to prevent FIFO overrun.

- 1) Start reading bytes from the FIFO when *FifoEmpty* is cleared or *FifoThreshold* becomes set.
- 2) Suspend reading from the FIFO if *FifoEmpty* fires before all bytes of the message have been read
- 3) Continue to step 1 until *PayloadReady* or *CrcOk* fires
- 4) Read all remaining bytes from the FIFO either in Rx or Sleep/Standby mode

5.5.6. Packet Filtering

The SX1238 packet handler offers several mechanisms for packet filtering, ensuring that only useful packets are made available to the uC, reducing significantly system power consumption and software complexity.

5.5.6.1. Sync Word Based

Sync word filtering/recognition is used for identifying the start of the payload and also for network identification. As previously described, the Sync word recognition block is configured (size, value) in *RegSyncConfig* and *RegSyncValue(i)* registers. This information is used, both for appending Sync word in Tx, and filtering packets in Rx.

Every received packet which does not start with this locally configured Sync word is automatically discarded and no interrupt is generated.

When the Sync word is detected, payload reception automatically starts and *SyncAddressMatch* is asserted.

Note: Sync Word values containing 0x00 byte(s) are forbidden.

5.5.6.2. Address Based

Address filtering can be enabled via the *AddressFiltering* bits. It adds another level of filtering, above Sync word (i.e. Sync must match first), typically useful in a multi-node networks where a network ID is shared between all nodes (Sync word) and each node has its own ID (address).

Two address based filtering options are available:

- ◆ *AddressFiltering = 01*: Received address field is compared with internal register *NodeAddress*. If they match then the packet is accepted and processed, otherwise it is discarded.
- ◆ *AddressFiltering = 10*: Received address field is compared with internal registers *NodeAddress* and *BroadcastAddress*. If either is a match, the received packet is accepted and processed, otherwise it is discarded. This additional check with a constant is useful for implementing broadcast in a multi-node networks.

Please note that the received address byte, as part of the payload, is not stripped off the packet and is made available in the FIFO. In addition, *NodeAddress* and *AddressFiltering* only apply to Rx. On Tx side, if address filtering is expected, the address byte should simply be put into the FIFO like any other byte of the payload.

As address filtering requires a Sync word match, both features share the same interrupt flag *SyncAddressMatch*.

5.5.6.3. Length Based

In variable length Packet mode, *PayloadLength* must be programmed with the maximum payload length permitted. If received length byte is smaller than this maximum, then the packet is accepted and processed, otherwise it is discarded.

Please note that the received length byte, as part of the payload, is not stripped off the packet and is made available in the FIFO.

To disable this function the user should set the value of the *PayloadLength* to 2047.

5.5.6.4. CRC Based

The CRC check is enabled by setting bit *CrcOn* in *RegPacketConfig1*. It is used for checking the integrity of the message.

- ◆ On Tx side a two byte CRC checksum is calculated on the payload part of the packet and appended to the end of the message
- ◆ On Rx side the checksum is calculated on the received payload and compared with the two checksum bytes received. The result of the comparison is stored in bit *CrcOk*.

By default, if the CRC check fails then the FIFO is automatically cleared and no interrupt is generated. This filtering function can be disabled via *CrcAutoClearOff* bit and in this case, even if CRC fails, the FIFO is not cleared and only *PayloadReady* interrupt goes high. Please note that in both cases, the two CRC checksum bytes are stripped off by the packet handler and only the payload is made available in the FIFO.

Two CRC implementations are selected with bit *CrcWhiteningType*.

Table 26 CRC Description

Crc Type	CrcWhiteningType	Polynomial	Seed Value	Complemented
CCITT	0 (default)	$X^{16} + X^{12} + X^5 + 1$	0x1D0F	Yes
IBM	1	$X^{16} + X^{15} + X^2 + 1$	0xFFFF	No

A C code implementation of each CRC type is proposed in Application Section [7].

5.5.7. DC-Free Data Mechanisms

The payload to be transmitted may contain long sequences of 1's and 0's, which introduces a DC bias in the transmitted signal. The radio signal thus produced has a non uniform power distribution over the occupied channel bandwidth. It also introduces data dependencies in the normal operation of the demodulator. Thus it is useful if the transmitted data is random and DC free.

For such purposes, two techniques are made available in the packet handler: Manchester encoding and data whitening.

Note: Only one of the two methods can be enabled at a time.

5.5.7.1. Manchester Encoding

Manchester encoding/decoding is enabled if *DcFree* = 01 and can only be used in Packet mode.

The NRZ data is converted to Manchester code by coding '1' as "10" and '0' as "01".

In this case, the maximum chip rate is the maximum bit rate given in the specifications section and the actual bit rate is half the chip rate.

Manchester encoding and decoding is only applied to the payload and CRC checksum while preamble and Sync word are kept NRZ. However, the chip rate from preamble to CRC is the same and defined by *BitRate* in *RegBitRate* (Chip Rate = Bit Rate NRZ = 2 x Bit Rate Manchester).

Manchester encoding/decoding is thus made transparent for the user, who still provides/retrieves NRZ data to/from the FIFO.

	$\frac{1}{BR}$...Sync								$\frac{1}{BR}$ Payload...										
RF chips @ BR	...	1	1	1	0	1	0	0	1	0	0	1	0	1	1	0	1	0	...
User/NRZ bits Manchester OFF	...	1	1	1	0	1	0	0	1	0	0	1	0	1	1	0	1	0	...
User/NRZ bits Manchester ON	...	1	1	1	0	1	0	0	1	0	0	1	0	1	1	0	1	0	...

Figure 36. Manchester Encoding/Decoding

5.5.7.2. Data Whitening

Another technique called whitening or scrambling is widely used for randomizing the user data before radio transmission. The data is whitened using a random sequence on the Tx side and de-whitened on the Rx side using the same sequence. Comparing to Manchester technique it has the advantage of keeping NRZ data rate i.e. actual bit rate is not halved.

The whitening/de-whitening process is enabled if $DcFree = 10$. A 9-bit LFSR is used to generate a random sequence. The payload and 2-byte CRC checksum is then XORed with this random sequence as shown below. The data is de-whitened on the receiver side by XORing with the same random sequence.

Payload whitening/de-whitening is thus made transparent for the user, who still provides/retrieves NRZ data to/from the FIFO.

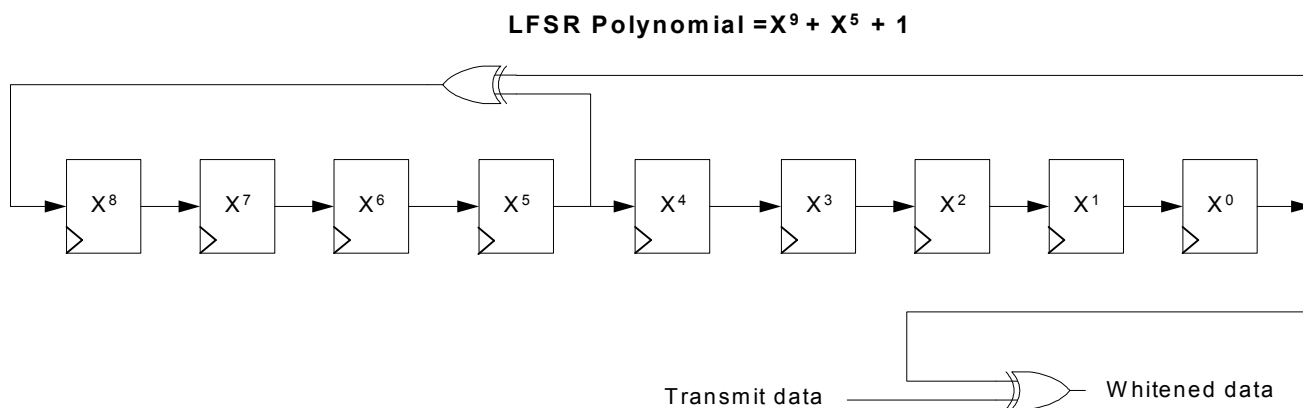


Figure 37. Data Whitening Polynomial

5.5.8. Beacon Tx Mode

In some short range wireless network topologies a repetitive message, also known as beacon, is transmitted periodically by a transmitter. The Beacon Tx mode allows for the re-transmission of the same packet without having to fill the FIFO multiple times with the same data.

When *BeaconOn* in *RegPacketConfig2* is set to 1, the FIFO can be filled only once in Sleep or Stdbyp mode with the required payload.

After a first transmission, *FifoEmpty* will go high as usual, but the FIFO content will be restored when the chip exits Transmit mode. *FifoEmpty*, *FifoFull* and *FifoLevel* flags are also restored.

This feature is only available in Fixed packet format, with the Payload Length smaller than the FIFO size.

The Beacon Tx mode is exited by setting *BeaconOn* to 0, and clearing the FIFO by setting *FifoOverrun* to 1.

6. Description of the Registers

6.1. Register Table Summary

Table 27 Registers Summary

Address	Register Name	Reset (built-in)	Default (recommended)	Description
0x00	RegFifo	0x00		FIFO read/write access
0x01	RegOpMode	0x01		Operating modes of the transceiver
0x02	RegBitrateMsb	0x1A		Bit Rate setting, Most Significant Bits
0x03	RegBitrateLsb	0x0B		Bit Rate setting, Least Significant Bits
0x04	RegFdevMsb	0x00		Frequency Deviation setting, Most Significant Bits
0x05	RegFdevLsb	0x52		Frequency Deviation setting, Least Significant Bits
0x06	RegFrMsb	0xE4		RF Carrier Frequency, Most Significant Bits
0x07	RegFrMid	0xC0		RF Carrier Frequency, Intermediate Bits
0x08	RegFrLsb	0x00		RF Carrier Frequency, Least Significant Bits
0x09	RegPaConfig	0x0F		PA selection and Output Power control
0x0A	RegPaRamp	0x19		Control of the PA ramp time in FSK, low phase noise PLL
0x0B	RegOcp	0x2B		Over Current Protection control
0x0C	RegLna	0x20		LNA settings
0x0D	RegRxConfig	0x08		Control of the AFC, AGC, Collision detector
0x0E	RegRssiConfig	0x02		RSSI-related settings
0x0F	RegRssiCollision	0x0A		RSSI setting of the Collision detector
0x10	RegRssiThresh	0xFF		RSSI Threshold control
0x11	RegRssiValue	-		RSSI value in dBm
0x12	RegRxBw	0x15		Channel Filter BW Control
0x13	RegAfcBw	0x0B		Channel Filter BW control during the AFC
0x14	RegOokPeak	0x28		OOK demodulator selection and control in peak mode
0x15	RegOokFix	0x0C		Fixed threshold control of the OOK demodulator
0x16	RegOokAvg	0x12		Average threshold control of the OOK demodulator
0x17	Reserved17	0x47		-
0x18	Reserved18	0x32		-
0x19	Reserved19	0x3E		-

Address	Register Name	Reset (built-in)	Default (recommended)	Description
0x1A	RegAfcFei		0x00	AFC and FEI control
0x1B	RegAfcMsb		0x00	MSB of the frequency correction of the AFC
0x1C	RegAfcLsb		0x00	LSB of the frequency correction of the AFC
0x1D	RegFeiMsb		0x00	MSB of the calculated frequency error
0x1E	RegFeiLsb		0x00	LSB of the calculated frequency error
0x1F	RegPreambleDetect		0x40	Settings of the Preamble Detector
0x20	RegRxTimeout1		0x00	Timeout duration between Rx request and RSSI detection
0x21	RegRxTimeout2		0x00	Timeout duration between RSSI detection and <i>PayloadReady</i>
0x22	RegRxTimeout3		0x00	Timeout duration between RSSI and <i>SyncAddress</i>
0x23	RegRxDelay		0x00	Delay between Rx cycles
0x24	RegOsc		0x05	RC Oscillators Settings, CLKOUT frequency
0x25	RegPreambleMsb		0x00	Preamble length, MSB
0x26	RegPreambleLsb		0x03	Preamble length, LSB
0x27	RegSyncConfig		0x93	Sync Word Recognition control
0x28-0x2F	RegSyncValue1-8		0x55	Sync Word bytes, 1 through 8
0x30	RegPacketConfig1		0x90	Packet mode settings
0x31	RegPacketConfig2		0x40	Packet mode settings
0x32	RegPayloadLength		0x40	Payload length setting
0x33	RegNodeAdrs		0x00	Node address
0x34	RegBroadcastAdrs		0x00	Broadcast address
0x35	RegFifoThresh		0x0F	Fifo threshold, Tx start condition
0x36	RegSeqConfig1		0x00	Top level Sequencer settings
0x37	RegSeqConfig2		0x00	Top level Sequencer settings
0x38	RegTimerResol		0x00	Timer 1 and 2 resolution control
0x39	RegTimer1Coef		0xF5	Timer 1 setting
0x3A	RegTimer2Coef		0x20	Timer 2 setting
0x3B	RegImageCal		0x82	Image calibration engine control
0x3C	RegTemp		-	Temperature Sensor value
0x3D	RegLowBat		0x02	Low Battery Indicator Settings
0x3E	RegIrqFlags1		0x80	Status register: PLL Lock state, Timeout, RSSI > Threshold...

Address	Register Name	Reset (built-in)	Default (recommended)	Description
0x3F	RegIrqFlags2	0x40		Status register: FIFO handling flags, Low Battery detection...
0x40	RegDioMapping1	0x00		Mapping of pins DIO0 to DIO3
0x41	RegDioMapping2	0x00		Mapping of pins DIO4 and DIO5, ClkOut frequency
0x42	RegVersion	0x21		Semtech ID relating the silicon revision
0x43	RegAgcRef	0x13		Adjustment of the AGC thresholds
0x44	RegAgcThresh1	0x0E		
0x45	RegAgcThresh2	0x5B		
0x46	RegAgcThresh3	0xDB		
0x58	RegTcxo	0x09		TCXO or XTAL input setting
0x5A	RegPaDac	0x84		Higher power settings of the PA
0x5C	RegPll	0xD0		Control of the PLL bandwidth
0x5E	RegPllLowPn	0xD0		Control of the Low Phase Noise PLL bandwidth
0x6C	RegFormerTemp	-		Stored temperature during the former IQ Calibration
0x70	RegBitRateFrac	0x00		Fractional part in the Bit Rate division ratio
0x42 +	RegTest	-		Internal test registers. Do not overwrite

Notes: - Reset values are automatically refreshed in the chip at Power On Reset.

- Default values are the Semtech recommended register values, optimizing the device operation.

- Registers for which the Default value differs from the Reset value are denoted by a * in the tables of section 6.2.

6.2. Register Map

Convention: r: read, w: write, p:pulse, x:trigger

Table 28 Register Map

Name (Address)	Bits	Variable Name	Mode	Default Value	Description
RegFifo (0x00)	7-0	Fifo	rwx	0x00	FIFO data input/output
Registers for Common settings					
RegOpMode (0x01)	7	unused	r	0x00	unused
	6-5	ModulationType	rw	0x00	Modulation scheme: 00 → FSK 01 → OOK 10 -11 → reserved
	4-3	ModulationShaping	rw	0x00	Data shaping: In FSK: 00 → no shaping 01 → gaussian filter BT = 1.0 10 → gaussian filter BT = 0.5 11 → gaussian filter BT = 0.3 In OOK: 00 → no shaping 01 → filtering with $f_{cutoff} = bit_rate$ 10 → filtering with $f_{cutoff} = 2*bit_rate$ (for $bit_rate < 125$ kb/s) 11 → reserved
	2-0	Mode	rwx	0x01	Transceiver modes 000 → Sleep mode 001 → Stdby mode 010 → FS mode TX (FSTx) 011 → Transmitter mode (Tx) 100 → FS mode RX (FSRx) 101 → Receiver mode (Rx) 110 → reserved 111 → reserved
RegBitrateMsb (0x02)	7-0	BitRate(15:8)	rw	0x1a	MSB of Bit Rate (chip rate if Manchester encoding is enabled)
RegBitrateLsb (0x03)	7-0	BitRate(7:0)	rw	0x0b	LSB of bit rate (chip rate if Manchester encoding is enabled) $BitRate = \frac{FXOSC}{BitRate(15,0) + \frac{BitrateFrac}{16}}$ Default value: 4.8 kb/s
RegFdevMsb (0x04)	7-6	unused	r	0x00	unused
	5-0	Fdev(13:8)	rw	0x00	MSB of the frequency deviation
RegFdevLsb (0x05)	7-0	Fdev(7:0)	rw	0x52	LSB of the frequency deviation $Fdev = Fstep \times Fdev(15,0)$ Default value: 5 kHz

Name (Address)	Bits	Variable Name	Mode	Default Value	Description
RegFrfMsb (0x06)	7-0	Frf(23:16)	rw	0xe4	MSB of the RF carrier frequency
RegFrfMid (0x07)	7-0	Frf(15:8)	rw	0xc0	MSB of the RF carrier frequency
RegFrfLsb (0x08)	7-0	Frf(7:0)	rwx	0x00	LSB of RF carrier frequency $Frf = Fstep \times Frf(23;0)$ Default value: 915.000 MHz The RF frequency is taken into account internally only when: - entering FSRX/FSTX modes - re-starting the receiver
Registers for the Transmitter					
RegPaConfig (0x09)	7	PaSelect	rw	0x00	Selects PA output pin 0 → RFO pin. Maximum power of +13 dBm 1 → Not Defined
	6-4	unused	r	0x00	unused
	3-0	OutputPower	rw	0x0f	Output power setting, with 1dB steps $P_{out} = -1 + OutputPower [dBm]$, on RFO pin $P_{out} = 20 + OutputPower [dBm]$, on ANT pin* * Note: compression occurs at 27 dBm
RegPaRamp (0x0A)	7-5	unused	r	-	unused
	4	LowPnTxPIOff	rw	0x01	Select a higher power, lower phase noise PLL only when the transmitter is used: 0 → Standard PLL used in Rx mode, Lower PN PLL in Tx 1 → Standard PLL used in both Tx and Rx modes
	3-0	PaRamp	rw	0x09	Rise/Fall time of ramp up/down in FSK 0000 → 3.4 ms 0001 → 2 ms 0010 → 1 ms 0011 → 500 us 0100 → 250 us 0101 → 125 us 0110 → 100 us 0111 → 62 us 1000 → 50 us 1001 → 40 us (d) 1010 → 31 us 1011 → 25 us 1100 → 20 us 1101 → 15 us 1110 → 12 us 1111 → 10 us

Name (Address)	Bits	Variable Name	Mode	Default Value	Description
RegOcp (0x0B)	7-6	unused	r	0x00	unused
	5	OcpOn	rw	0x01	Enables overload current protection (OCP) for the PA: 0 → OCP disabled 1 → OCP enabled
	4-0	OcpTrim	rw	0x0b	Trimming of OCP current: $I_{max} = 45+5*OcpTrim$ [mA] if $OcpTrim \leq 15$ (120 mA) / $I_{max} = -30+10*OcpTrim$ [mA] if $15 < OcpTrim \leq 27$ (130 to 240 mA) $I_{max} = 240mA$ for higher settings Default $I_{max} = 100mA$
Registers for the Receiver					
RegLna (0x0C)	7-5	LnaGain	rwx	0x01	LNA gain setting: 000 → reserved 001 → G1 = highest gain 010 → G2 = highest gain – 6 dB 011 → G3 = highest gain – 12 dB 100 → G4 = highest gain – 24 dB 101 → G5 = highest gain – 36 dB 110 → G6 = highest gain – 48 dB 111 → reserved Note: Reading this address always returns the current LNA gain (which may be different from what had been previously selected if AGC is enabled).
	4-2	-	r	0x00	unused
	1-0	LnaBoost	rw	0x00	Improves the system Noise Figure at the expense of Rx current consumption: 00 → Default setting, meeting the specification 11 → Improved sensitivity

Name (Address)	Bits	Variable Name	Mode	Default Value	Description
RegRxConfig (0x0d)	7	RestartRxOnCollision	rw	0x00	Turns on the mechanism restarting the receiver automatically if it gets saturated or a packet collision is detected 0 → No automatic Restart 1 → Automatic restart On
	6	RestartRxWithoutPIILock	wp	0x00	Triggers a manual Restart of the Receiver chain when set to 1. Use this bit when there is no frequency change, RestartRxWithPIILock otherwise.
	5	RestartRxWithPIILock	wp	0x00	Triggers a manual Restart of the Receiver chain when set to 1. Use this bit when there is a frequency change, requiring some time for the PLL to re-lock.
	4	AfcAutoOn	rw	0x00	0 → No AFC performed at receiver startup 1 → AFC is performed at each receiver startup
	3	AgcAutoOn	rw	0x01	0 → LNA gain forced by the LnaGain Setting 1 → LNA gain is controlled by the AGC
	2	AgcOnPreamble	rw	0x00	When set to 1, the AGC will adjust the LNA gain until the preamble is detected, and fix LNA gain only when a Preamble is detected. The size of the qualifying preamble is set in <i>PreambleDetectSize</i> . When set to 0, the AGC will adjust the LNA gain based on RSSI information
	1	StartDemodOnPreamble	rw	0x00	Condition required for the circuit to provide valid data to the baseband
	0	StartDemodOnRssi	rw	0x00	Condition required for the circuit to provide valid data to the baseband
RegRssiConfig (0x0e)	7-3	RssiOffset	rw	0x00	Signed RSSI offset, to compensate for the possible losses/gains in the front-end (LNA, SAW filter...) 1dB / LSB, 2's complement format
	2-0	RssiSmoothing	rw	0x02	Defines the number of samples taken to average the RSSI result: 000 → 2 samples used 001 → 4 samples used 010 → 8 samples used 011 → 16 samples used 100 → 32 samples used 101 → 64 samples used 110 → 128 samples used 111 → 256 samples used
RegRssiCollision (0x0f)	7-0	RssiCollisionThreshold	rw	0x0a	Sets the threshold used to consider that an interferer is detected, witnessing a packet collision. 1dB/LSB (only RSSI increase) Default: 10dB
RegRssiThresh (0x10)	7-0	RssiThreshold	rw	0xff	RSSI trigger level for the Rssi interrupt : - RssiThreshold / 2 [dBm]
RegRssiValue (0x11)	7-0	RssiValue	rw	-	Absolute value of the RSSI in dBm, 0.5dB steps. RSSI = - RssiValue/2 [dBm]

Name (Address)	Bits	Variable Name	Mode	Default Value	Description
RegRxBw (0x12)	7	unused	r	-	unused
	6-5	reserved	rw	0x00	reserved
	4-3	RxBwMant	rw	0x02	Channel filter bandwidth control: 00 → RxBwMant = 16 10 → RxBwMant = 24 01 → RxBwMant = 20 11 → reserved
	2-0	RxBwExp	rw	0x05	Channel filter bandwidth control: FSK Mode: $RxBw = \frac{FXOSC}{RxBwMant \times 2^{RxBwExp + 2}}$
RegAfcBw (0x13)	7-5	reserved	rw	0x00	reserved
	4-3	RxBwMantAfc	rw	0x01	RxBwMant parameter used during the AFC
	2-0	RxBwExpAfc	rw	0x03	RxBwExp parameter used during the AFC
RegOokPeak (0x14)	7-6	reserved	rw	0x00	reserved
	5	BitSyncOn	rw	0x01	Enables the Bit Synchronizer. 0 → Bit Sync disabled (not possible in Packet mode) 1 → Bit Sync enabled
	4-3	OokThreshType	rw	0x01	Selects the type of threshold in the OOK data slicer: 00 → fixed threshold 10 → average mode 01 → peak mode (default) 11 → reserved
	2-0	OokPeakTheshStep	rw	0x00	Size of each decrement of the RSSI threshold in the OOK demodulator: 000 → 0.5 dB 001 → 1.0 dB 010 → 1.5 dB 011 → 2.0 dB 100 → 3.0 dB 101 → 4.0 dB 110 → 5.0 dB 111 → 6.0 dB
RegOokFix (0x15)	7-0	OokFixedThreshold	rw	0x0C	Fixed threshold for the Data Slicer in OOK mode Floor threshold for the Data Slicer in OOK when Peak mode is used
RegOokAvg (0x16)	7-5	OokPeakThreshDec	rw	0x00	Period of decrement of the RSSI threshold in the OOK demodulator: 000 → once per chip 001 → once every 2 chips 010 → once every 4 chips 011 → once every 8 chips 100 → twice in each chip 101 → 4 times in each chip 110 → 8 times in each chip 111 → 16 times in each chip
	4	reserved	rw	0x01	reserved
	3-2	OokAverageOffset	rw	0x00	Static offset added to the threshold in average mode in order to reduce glitching activity (OOK only): 00 → 0.0 dB 10 → 4.0 dB 01 → 2.0 dB 11 → 6.0 dB
	1-0	OokAverageThreshFilt	rw	0x02	Filter coefficients in average mode of the OOK demodulator: 00 → $f_C \approx \text{chip rate} / 32.\pi$ 01 → $f_C \approx \text{chip rate} / 8.\pi$ 10 → $f_C \approx \text{chip rate} / 4.\pi$ 11 → $f_C \approx \text{chip rate} / 2.\pi$

Name (Address)	Bits	Variable Name	Mode	Default Value	Description
RegRes17 to RegRes19	7-0	reserved	rw	0x47 0x32 0x3E	reserved. Keep the Reset values.
RegAfcFei (0x1a)	7-5	unused	r	-	unused
	4	AgcStart	wp	0x00	Triggers an AGC sequence when set to 1.
	3	reserved	rw	0x00	reserved
	2	unused	-	-	unused
	1	AfcClear	wp	0x00	Clear AFC register set in Rx mode. Always reads 0.
	0	AfcAutoClearOn	rw	0x00	Only valid if AfcAutoOn is set 0 → AFC register is not cleared at the beginning of the automatic AFC phase 1 → AFC register is cleared at the beginning of the automatic AFC phase
RegAfcMsb (0x1b)	7-0	AfcValue(15:8)	rw	0x00	MSB of the AfcValue, 2's complement format. Can be used to overwrite the current AFC value
RegAfcLsb (0x1c)	7-0	AfcValue(7:0)	rw	0x00	LSB of the AfcValue, 2's complement format. Can be used to overwrite the current AFC value
RegFeiMsb (0x1d)	7-0	FeiValue(15:8)	rw	-	MSB of the measured frequency offset, 2's complement
RegFeiLsb (0x1e)	7-0	FeiValue(7:0)	rw	-	LSB of the measured frequency offset, 2's complement <i>Frequency error</i> = FeiValue x Fstep
RegPreambleDetect (0x1f)	7	PreambleDetectorOn	rw	0x00	Enables Preamble detector when set to 1. The AGC settings supersede this bit during the startup / AGC phase. 0 → Turned off 1 → Turned on
	6-5	PreambleDetectorSize	rw	0x02	Number of Preamble bytes to detect to trigger an interrupt 00 → 1 byte 10 → 3 bytes 01 → 2 bytes 11 → Reserved
	4-0	PreambleDetectorTol	rw	0x00	Number of chip errors tolerated over PreambleDetectorSize. 4 chips per bit.
RegRxTimeout1 (0x20)	7-0	TimeoutRxRssi	rw	0x00	<i>Timeout</i> interrupt is generated $TimeoutRxRssi * 16 * T_{bit}$ after switching to Rx mode if <i>Rssi</i> interrupt doesn't occur (i.e. $RssiValue > RssiThreshold$) 0x00: <i>TimeoutRxRssi</i> is disabled
RegRxTimeout2 (0x21)	7-0	TimeoutRxPreamble	rw	0x00	<i>Timeout</i> interrupt is generated $TimeoutRxPreamble * 16 * T_{bit}$ after switching to Rx mode if <i>Preamble</i> interrupt doesn't occur 0x00: <i>TimeoutRxPreamble</i> is disabled
RegRxTimeout3 (0x22)	7-0	TimeoutSignalSync	rw	0x00	<i>Timeout</i> interrupt is generated $TimeoutSignalSync * 16 * T_{bit}$ after the Rx mode is programmed, if <i>SyncAddress</i> doesn't occur 0x00: <i>TimeoutSignalSync</i> is disabled

Name (Address)	Bits	Variable Name	Mode	Default Value	Description
RegRxDelay (0x23)	7-0	InterPacketRxDelay	rw	0x00	Additional delay before an automatic receiver restart is launched: Delay = InterPacketRxDelay*4*Tbit
RC Oscillator Registers					
RegOsc (0x24)	7-4	unused	r	-	unused
	3	RcCalStart	rwp	0x00	Triggers the calibration of the RC oscillator when set. Always reads 0. RC calibration must be triggered in Standby mode.
	2-0	ClkOut	rw	0x05	Selects CLKOUT frequency: 000 → FXOSC 001 → FXOSC / 2 010 → FXOSC / 4 011 → FXOSC / 8 100 → FXOSC / 16 101 → FXOSC / 32 110 → RC (automatically enabled) 111 → OFF
Packet Handling Registers					
RegPreambleMsb (0x25)	7-0	PreambleSize(15:8)	rw	0x00	Size of the preamble to be sent (from <i>TxStartCondition</i> fulfilled). (MSB byte)
RegPreambleLsb (0x26)	7-0	PreambleSize(7:0)	rw	0x03	Size of the preamble to be sent (from <i>TxStartCondition</i> fulfilled). (LSB byte)
RegSyncConfig (0x27)	7-6	AutoRestartRxMode	rw	0x02	Controls the automatic restart of the receiver after the reception of a valid packet (PayloadReady or CrcOk): 00 → Off 01 → On, without waiting for the PLL to re-lock 10 → On, wait for the PLL to lock (frequency changed) 11 → reserved
	5	PreamblePolarity	rw	0x00	Sets the polarity of the Preamble 0 → 0xAA (default) 1 → 0x55
	4	SyncOn	rw	0x01	Enables the Sync word generation and detection: 0 → Off 1 → On
	3	FifoFillCondition	rw	0x00	FIFO filling condition: 0 → if <i>SyncAddress</i> interrupt occurs 1 → as long as <i>FifoFillCondition</i> is set
	2-0	SyncSize	rw	0x03	Size of the Sync word: (<i>SyncSize</i> + 1) bytes, (<i>SyncSize</i>) bytes if <i>ioHomeOn</i> =1
RegSyncValue1 (0x28)	7-0	SyncValue(63:56)	rw	0x55	1 st byte of Sync word. (MSB byte) Used if <i>SyncOn</i> is set.
RegSyncValue2 (0x29)	7-0	SyncValue(55:48)	rw	0x55	2 nd byte of Sync word Used if <i>SyncOn</i> is set and (<i>SyncSize</i> + 1) >= 2.
RegSyncValue3 (0x2a)	7-0	SyncValue(47:40)	rw	0x55	3 rd byte of Sync word. Used if <i>SyncOn</i> is set and (<i>SyncSize</i> + 1) >= 3.

Name (Address)	Bits	Variable Name	Mode	Default Value	Description
RegSyncValue4 (0x2b)	7-0	SyncValue(39:32)	rw	0x55	4 th byte of Sync word. Used if <i>SyncOn</i> is set and $(SyncSize + 1) \geq 4$.
RegSyncValue5 (0x2c)	7-0	SyncValue(31:24)	rw	0x55	5 th byte of Sync word. Used if <i>SyncOn</i> is set and $(SyncSize + 1) \geq 5$.
RegSyncValue6 (0x2d)	7-0	SyncValue(23:16)	rw	0x55	6 th byte of Sync word. Used if <i>SyncOn</i> is set and $(SyncSize + 1) \geq 6$.
RegSyncValue7 (0x2e)	7-0	SyncValue(15:8)	rw	0x55	7 th byte of Sync word. Used if <i>SyncOn</i> is set and $(SyncSize + 1) \geq 7$.
RegSyncValue8 (0x2f)	7-0	SyncValue(7:0)	rw	0x55	8 th byte of Sync word. Used if <i>SyncOn</i> is set and $(SyncSize + 1) = 8$.
RegPacketConfig1 (0x30)	7	PacketFormat	rw	0x01	Defines the packet format used: 0 → Fixed length 1 → Variable length
	6-5	DcFree	rw	0x00	Defines DC-free encoding/decoding performed: 00 → None (Off) 01 → Manchester 10 → Whitening 11 → reserved
	4	CrcOn	rw	0x01	Enables CRC calculation/check (Tx/Rx): 0 → Off 1 → On
	3	CrcAutoClearOff	rw	0x00	Defines the behavior of the packet handler when CRC check fails: 0 → Clear FIFO and restart new packet reception. No <i>PayloadReady</i> interrupt issued. 1 → Do not clear FIFO. <i>PayloadReady</i> interrupt issued.
	2-1	AddressFiltering	rw	0x00	Defines address based filtering in Rx: 00 → None (Off) 01 → Address field must match <i>NodeAddress</i> 10 → Address field must match <i>NodeAddress</i> or <i>BroadcastAddress</i> 11 → reserved
	0	CrcWhiteningType	rw	0x00	Selects the CRC and whitening algorithms: 0 → CCITT CRC implementation with standard whitening 1 → IBM CRC implementation with alternate whitening

Name (Address)	Bits	Variable Name	Mode	Default Value	Description
RegPacketConfig2 (0x31)	7	unused	r	-	unused
	6	DataMode	rw	0x01	Data processing mode: 0 → Continuous mode 1 → Packet mode
	5	IoHomeOn	rw	0x00	Enables the ioHomeControl compatibility mode 0 → Disabled 1 → ioHome enabled
	4	IoHomePowerFrame	rw	0x00	reserved - Linked to ioHomeControl compatibility mode
	3	BeaconOn	rw	0x00	Enables the Beacon mode in Fixed packet format
	2-0	PayloadLength(10:8)	rw	0x00	Packet Length Most significant bits
RegPayloadLength (0x32)	7-0	PayloadLength(7:0)	rw	0x40	If PacketFormat = 0 (fixed), payload length. If PacketFormat = 1 (variable), max length in Rx, not used in Tx.
RegNodeAdrs (0x33)	7-0	NodeAddress	rw	0x00	Node address used in address filtering.
RegBroadcastAdrs (0x34)	7-0	BroadcastAddress	rw	0x00	Broadcast address used in address filtering.
RegFifoThresh (0x35)	7	TxStartCondition	rw	0x00	Defines the condition to start packet transmission : 0 → <i>FifoLevel</i> (i.e. the number of bytes in the FIFO exceeds <i>FifoThreshold</i>) 1 → <i>FifoEmpty goes low</i> (i.e. at least one byte in the FIFO)
	6	unused	r	-	unused
	5-0	FifoThreshold	rw	0x0f	Used to trigger <i>FifoLevel</i> interrupt, when: nbr of bytes in FIFO >= FifoThreshold + 1
Sequencer Registers					

Name (Address)	Bits	Variable Name	Mode	Default Value	Description
RegSeqConfig1 (0x36)	7	SequencerStart	t	0x00	Controls the top level Sequencer When set to '1', executes the "Start" transition. The sequencer can only be enabled when the chip is in Sleep or Standby mode.
	6	SequencerStop	t	0x00	Forces the Sequencer to go to Idle state Always reads '0'
	5	SequencerLowPowerMode	rw	0x00	Selects chip mode in LowPower state: 0: Stdby mode 1: Sleep mode
	4-3	SequencerTransitionFromIdle	rw	0x00	Controls state-machine transition from the Idle state: 00: to LowPower or Idle state on a SequencerStart command, depending on SequencerLowPowerState 01: to Receive state on a SequencerStart command 10: to Transmit state on a SequencerStart command 11: to WaitForFifo on a SequencerStart command
	2	SequencerLowPowerState	rw	0x00	Defines the low power state of the Sequencer, reached at the end of any action (transmission, reception, etc...) 0: to LowPower state 1: to Idle state
	1	SequencerTransitionFromLowPower	rw	0x00	Controls the Sequencer transition from the LowPower state: 0: to Receive state on a Timer 1 interrupt 1: to Transmit state on a Timer 1 interrupt
	0	SequencerTransitionFromTransmit	rw	0x00	Controls the Sequencer transition from the Transmit state: 0: to Receive state on a PacketSent interrupt 1: to LowPower or Idle state on a PacketSent interrupt, depending on SequencerLowPowerState

Name (Address)	Bits	Variable Name	Mode	Default Value	Description
RegSeqConfig2 (0x37)	7-5	SequencerTransitionFromReceive	rw	0x00	Controls the Sequencer transition from the Receive state 000 and 111: unused 001: to PacketReceived state on a PayloadReady interrupt 010: to LowPower or Idle state on a PayloadReady interrupt, depending on SequencerLowPowerState 011: to PacketReceived state on a CrcOk interrupt. If the CRC is disabled the PayloadReady interrupt, firing when enough bytes are received, will drive the Sequencer to the PacketReceived state, too. 100: to Idle state on a Rssi interrupt 101: to Idle state on a SyncAddress interrupt 110: to Idle state on a PreambleDetect interrupt Irrespective of this setting, transition to LowPower or Idle state on a Timer2 interrupt, depending on SequencerLowPowerState
	4-3	SequencerTransitionFromRxTimeout	rw	0x00	Controls the state-machine transition from the Receive state on a RxTimeout interrupt (and on PayloadReady if SequencerTransitionFromReceive = 011): 00: to ReceiveRestart 01: to Transmit 10: to LowPower or Idle state, depending on SequencerLowPowerState 11: to Idle state
	2-0	SequencerTransitionFromPacketReceived	rw	0x00	Controls the state-machine transition from the PacketReceived state: 000: to Idle state 001: to Transmit on a FifoEmpty interrupt 010: to LowPower or Idle state on FifoEmpty, depending on SequencerLowPowerState 011: to Receive via FS mode, if frequency was changed 100: to Receive state (no frequency change)
RegTimerResol (0x38)	7-4	unused	r	-	unused
	3-2	Timer1Resolution	rw	0x00	Resolution of Timer 1 00: Timer1 disabled 01: 64 us 10: 4.1 ms 11: 262 ms
	1-0	Timer2Resolution	rw	0x00	Resolution of Timer 2 00: Timer2 disabled 01: 64 us 10: 4.1 ms 11: 262 ms
RegTimer1Coef (0x39)	7-0	Timer1Coefficient	rw	0xf5	Multiplying coefficient for Timer 1
RegTimer2Coef (0x3a)	7-0	Timer2Coefficient	rw	0x20	Multiplying coefficient for Timer 2
Services Registers					

Name (Address)	Bits	Variable Name	Mode	Default Value	Description
RegImageCal (0x3b)	7	AutoImageCalOn	rw	0x01	Controls the Image calibration mechanism 0 → Calibration of the receiver depending on the temperature is disabled 1 → Calibration of the receiver depending on the temperature enabled.
	6	ImageCalStart	wp	-	Triggers the IQ and RSSI calibration when set.
	5	ImageCalRunning	r	0x00	Set to 1 while the Image and RSSI calibration are running. Toggles back to 0 when the process is completed
	4	unused	r	-	unused
	3	TempChange	r	0x00	IRQ flag witnessing a temperature change exceeding TempThreshold since the last Image and RSSI calibration: 0 → Temperature change lower than TempThreshold 1 → Temperature change greater than TempThreshold
	2-1	TempThreshold	rw	0x01	Temperature change threshold to trigger a new I/Q calibration 00 → 5 °C 01 → 10 °C 10 → 15 °C 11 → 20 °C
	0	TempMonitorOff	rw	0x00	Controls the temperature monitor operation: 0 → Temperature monitoring done in all modes except Sleep and Standby 1 → Temperature monitoring stopped.
	RegTemp (0x3c)	7-0	TempValue	r	-
RegLowBat (0x3d)	7-4	unused	r	-	unused
	3	LowBatOn	rw	0x00	Low Battery detector enable signal 0 → LowBat detector disabled 1 → LowBat detector enabled
	2-0	LowBatTrim	rw	0x02	Trimming of the LowBat threshold: 000 → 1.695 V 001 → 1.764 V 010 → 1.835 V (d) 011 → 1.905 V 100 → 1.976 V 101 → 2.045 V 110 → 2.116 V 111 → 2.185 V
Status Registers					

Name (Address)	Bits	Variable Name	Mode	Default Value	Description
RegIrqFlags1 (0x3e)	7	ModeReady	r	-	Set when the operation mode requested in <i>Mode</i> , is ready - Sleep: Entering Sleep mode - Standby: XO is running - FS: PLL is locked - Rx: RSSI sampling starts - Tx: PA ramp-up completed Cleared when changing the operating mode.
	6	RxReady	r	-	Set in Rx mode, after RSSI, AGC and AFC. Cleared when leaving Rx.
	5	TxReady	r	-	Set in Tx mode, after PA ramp-up. Cleared when leaving Tx.
	4	PllLock	r	-	Set (in FS, Rx or Tx) when the PLL is locked. Cleared when it is not.
	3	Rssi	rwp	-	Set in Rx when the <i>RssiValue</i> exceeds <i>RssiThreshold</i> . Cleared when leaving Rx or setting this bit to 1.
	2	Timeout	r	-	Set when a timeout occurs Cleared when leaving Rx or FIFO is emptied.
	1	PreambleDetect	rwp	-	Set when the Preamble Detector has found valid Preamble. bit clear when set to 1
	0	SyncAddressMatch	rwp	-	Set when Sync and Address (if enabled) are detected. Cleared when leaving Rx or FIFO is emptied. This bit is read only in Packet mode, rwc in Continuous mode
RegIrqFlags2 (0x3f)	7	FifoFull	r	-	Set when FIFO is full (i.e. contains 66 bytes), else cleared.
	6	FifoEmpty	r	-	Set when FIFO is empty, and cleared when there is at least 1 byte in the FIFO.
	5	FifoLevel	r	-	Set when the number of bytes in the FIFO strictly exceeds <i>FifoThreshold</i> , else cleared.
	4	FifoOverrun	rwp	-	Set when FIFO overrun occurs. (except in Sleep mode) Flag(s) and FIFO are cleared when this bit is set. The FIFO then becomes immediately available for the next transmission / reception.
	3	PacketSent	r	-	Set in Tx when the complete packet has been sent. Cleared when exiting Tx
	2	PayloadReady	r	-	Set in Rx when the payload is ready (i.e. last byte received and CRC, if enabled and <i>CrcAutoClearOff</i> is cleared, is Ok). Cleared when FIFO is empty.
	1	CrcOk	r	-	Set in Rx when the CRC of the payload is Ok. Cleared when FIFO is empty.
	0	LowBat	rwp	-	Set when the battery voltage drops below the Low Battery threshold. Cleared only when set to 1 by the user.
IO Control Registers					

Name (Address)	Bits	Variable Name	Mode	Default Value	Description	
RegDioMapping1 (0x40)	7-6	Dio0Mapping	rw	0x00	Mapping of pins DIO0 to DIO5 See Table 24 for mapping in Continuous mode See Table 25 for mapping in Packet mode	
	5-4	Dio1Mapping	rw	0x00		
	3-2	Dio2Mapping	rw	0x00		
	1-0	Dio3Mapping	rw	0x00		
RegDioMapping2 (0x41)	7-6	Dio4Mapping	rw	0x00		
	5-4	Dio5Mapping	rw	0x00		
	3-1	reserved	rw	0x00		reserved. Retain default value
	0	MapPreambleDetect	rw	0x00		Allows the mapping of either Rssi Or PreambleDetect to the DIO pins, as summarized on Table 24 and Table 25 0 → Rssi interrupt 1 → PreambleDetect interrupt
Version Register						
RegVersion (0x42)	7-0	Version	r	0x21	Version code of the chip. Bits 7-4 give the full revision number; bits 3-0 give the metal mask revision number.	
Additional Registers						
RegAgcRef (0x43)	7-6	unused	r	-	unused	
	5-0	AgcReferenceLevel	rw	0x13	Sets the floor reference for all AGC thresholds	
RegAgcThresh1 (0x44)	7-5	unused	r	-	unused	
	4-0	AgcStep1	rw	0x0e	Defines the 1st AGC Threshold	
RegAgcThresh2 (0x45)	7-4	AgcStep2	rw	0x05	Defines the 2nd AGC Threshold:	
	3-0	AgcStep3	rw	0x0b	Defines the 3rd AGC Threshold:	
RegAgcThresh3 (0x46)	7-4	AgcStep4	rw	0x0d	Defines the 4th AGC Threshold:	
	3-0	AgcStep5	rw	0x0b	Defines the 5th AGC Threshold:	
RegTcxo (0x58)	7-5	reserved	rw	0x00	Reserved. Retain default value	
	4	TcxoInputOn	rw	0x00	Controls the crystal oscillator 0 → Crystal Oscillator with external Crystal 1 → External clipped sine TCXO AC-connected to XTA pin	
	3-0	reserved	rw	0x09	Reserved. Retain default value.	
RegPaDac (0x5a)	7-3	reserved	rw	0x10	Reserved. Retain default value	
	2-0	PaDac	rw	0x04	0x04 → Default value	
RegPll (0x5c)	7-6	PllBandwidth	rw	0x03	Controls the PLL bandwidth: 00 → 75 kHz 10 → 225 kHz 01 → 150 kHz 11 → 300 kHz	
	5-0	reserved	rw	0x10	Reserved. Retain default value	
RegPllLowPn (0x5e)	7-6	PllBandwidth	rw	0x03	Controls the Low Phase Noise PLL bandwidth: 00 → 75 kHz 10 → 225 kHz 01 → 150 kHz 11 → 300 kHz	
	5-0	reserved	rw	0x10	Reserved. Retain default value	

Name (Address)	Bits	Variable Name	Mode	Default Value	Description
RegFormerTemp (0x6c)	7-0	FormerTemp	rw	-	Temperature saved during the latest IQ (RSSI and Image) calibrated. Same format as TempValue in RegTemp.
RegBitrateFrac (0x70)	7-4	unused	r	0x00	unused
	3-0	BitRateFrac	rw	0x00	Fractional part of the bit rate divider (Only valid for FSK) If BitRateFrac > 0 then: $BitRate = \frac{FXOSC}{BitRate(15,0) + \frac{BitrateFrac}{16}}$

7. Application Information

7.1. Crystal Resonator Specification

Table 29 shows the crystal resonator specification for the crystal reference oscillator circuit of the SX1238. This specification covers the full range of operation of the SX1238 and is employed in the reference design.

Table 29 Crystal Specification

Symbol	Description	Conditions	Min	Typ	Max	Unit
FXOSC	XTAL Frequency		-	32	-	MHz
RS	XTAL Serial Resistance		-	30	140	ohms
C0	XTAL Shunt Capacitance		-	2.8	7	pF
CFOOT	External Foot Capacitance	On each pin XTA and XTB	8	15	22	pF
CLOAD	Crystal Load Capacitance		6	-	12	pF

Notes: - the initial frequency tolerance, temperature stability and ageing performance should be chosen in accordance with the target operating temperature range and the receiver bandwidth selected.

- the loading capacitance should be applied externally, and adapted to the actual Cload specification of the XTAL.

7.2. Reset of the Chip

A power-on reset of the SX1238 is triggered at power up. Additionally, a manual reset can be issued by controlling pin 19.

7.2.1. POR

If the application requires the disconnection of VDD from the SX1238, despite of the extremely low Sleep Mode current, the user should wait for 10 ms from of the end of the POR cycle before commencing communications over the SPI bus. Pin 19(Reset) should be left floating during the POR sequence.

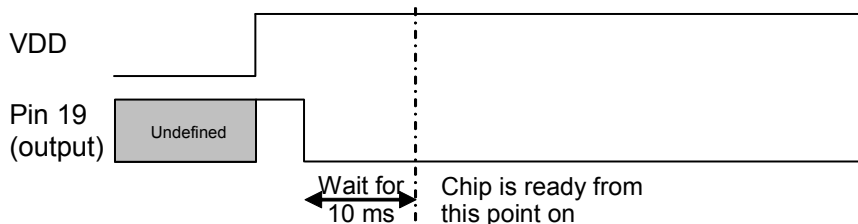


Figure 38. POR Timing Diagram

Please note that any CLKOUT activity can also be used to detect that the chip is ready.

7.2.2. Manual Reset

A manual reset of the SX1238 is possible even for applications in which VDD cannot be physically disconnected. Pin 19 should be pulled high for a hundred microseconds, and then released. The user should then wait for 5 ms before using the chip.

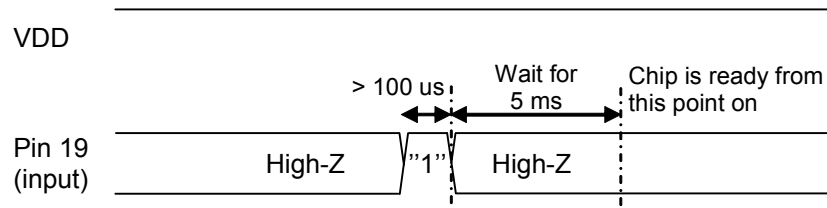


Figure 39. Manual Reset Timing Diagram

Note: Whilst pin 6 is driven high, an over current consumption of up to ten milliamps can be seen on VDD.

7.3. Reference Design

Please contact your Semtech representative for evaluation tools, reference designs and design assistance. Note that all schematics shown in this section are full schematics, listing ALL required components, including decoupling capacitors.

For detailed Bills of Materials, please consult the Reference Design section on the SX1238 web page, or contact your local Semtech representative.

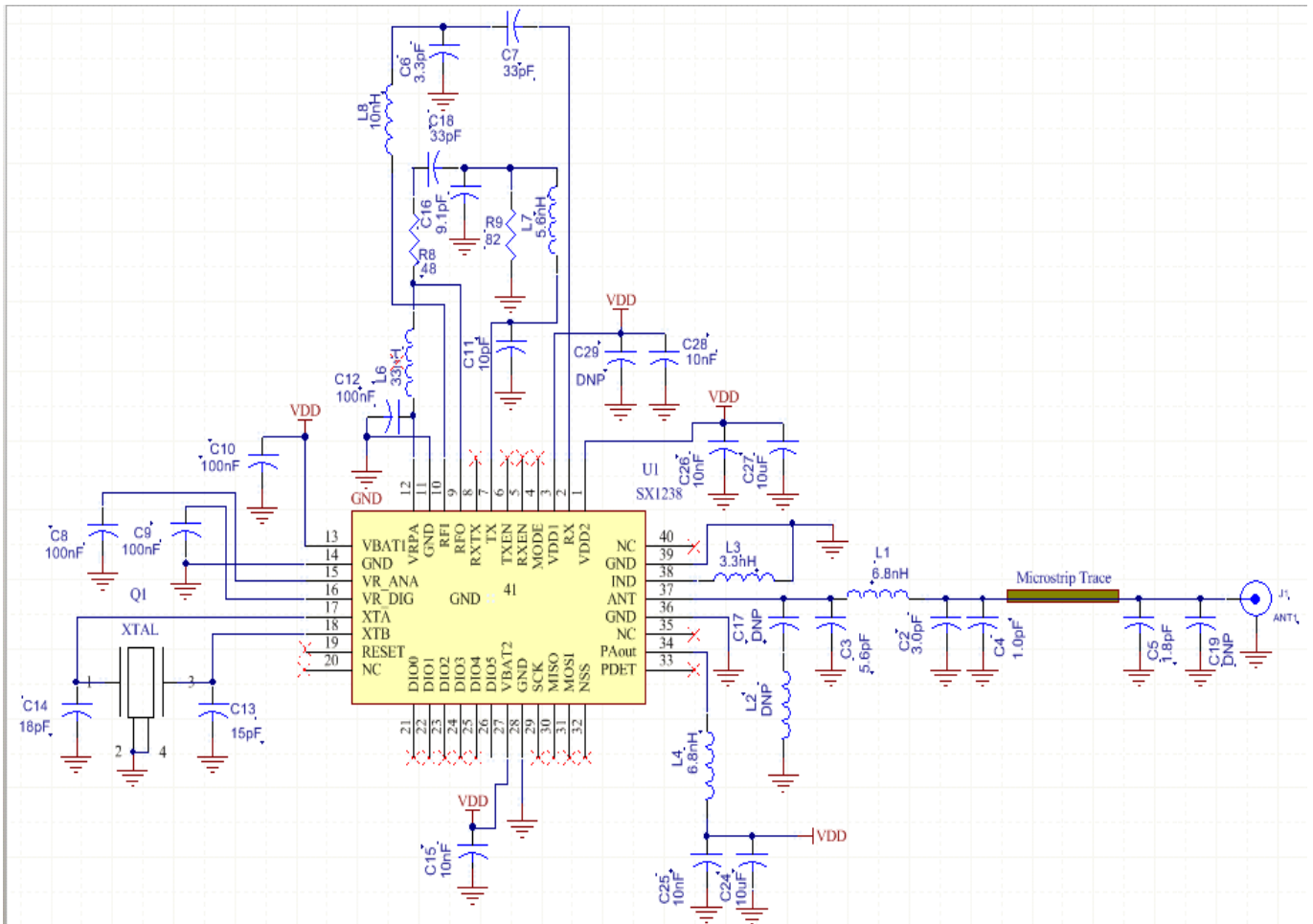


Figure 40. SX1238 Reference Design Schematic

Note: This reference design/BOM is intended for 902 - 928 MHz FCC region operation. Contact Semtech for usage in EU region.

SEMTECH			BOM SX1238 App Circuit						
			27.8.2012	Efo	Version 1.0.0			PCB#	
RefDes	MPN	Geom	Value	Qty	Description	Tolerance	Rating	Manufacturer	
IC									
U1	SX1232HA	MLPQ40	SX1232HA	1	High Power UHF Xcvr			Semtech	
Resistors									
R8	CRCW040247R0JNED	402	47	1	Thick Film Resistor	±5%,	1/16W	Vishay/Dale	
R9	CRCW040282R0JNED	402	82	1	Thick Film Resistor	±5%,	1/16W	Vishay/Dale	
Capacitors									
C2	GRM1555C1H3R0CA01D	402	3.0pF	1	Multilayer ceramic capacitors	C0G ±0.5pF,	50V	Murata	
C3	GRM1555C1H5R6DA01D	402	5.6pF	1	Multilayer ceramic capacitors	C0G ±0.25pF,	50V	Murata	
C4	GRM1555C1H1R0CA01D	402	1.0pF	1	Multilayer ceramic capacitors	C0G ±0.5pF,	50V	Murata	
C5	GRM1555C1H1R8CA01D	402	1.8pF	1	Multilayer ceramic capacitors	C0G ±0.5pF,	50V	Murata	
C6	GRM1555C1H3R3CA01D	402	3.3pF	1	Multilayer ceramic capacitors	C0G ±0.5pF,	50V	Murata	
C7	GRM1555C1H330JZ01D	402	33pF	1	Multilayer ceramic capacitors	C0G ±5%,	50V	Murata	
C8	GRM155R71C104KA88D	402	100nF	1	Multilayer ceramic capacitors	X7R ±10%,	16V	Murata	
C9	GRM155R71C104KA88D	402	100nF	1	Multilayer ceramic capacitors	X7R ±10%,	16V	Murata	
C10	GRM155R71C104KA88D	402	100nF	1	Multilayer ceramic capacitors	X7R ±10%,	16V	Murata	
C11	GRM1555C1H100JZ01D	402	10pF	1	Multilayer ceramic capacitors	C0G ±5%,	50V	Murata	
C12	GRM155R71C104KA88D	402	100nF	1	Multilayer ceramic capacitors	X7R ±10%,	16V	Murata	
C13	GRM1555C1H150JA01D	402	15pF	1	Multilayer ceramic capacitors	C0G ±5%,	50V	Murata	
C14	GRM1555C1H180JA01D	402	18pF	1	Multilayer ceramic capacitors	C0G ±5%,	50V	Murata	
C15	GRM155R71E103KA01D	402	10nF	1	Multilayer ceramic capacitors	X7R ±10%,	25V	Murata	
C16	GRM1555C1H9R1DZ01D	402	9.1pF	1	Multilayer ceramic capacitors	C0G ±5%,	50V	Murata	
C18	GRM1555C1H330JZ01D	402	33pF	1	Multilayer ceramic capacitors	C0G ±5%,	50V	Murata	
C24	GRM188R60J106ME47D	603	10µF	1	Multilayer ceramic capacitors	X5R ±20%,	6.3V	Murata	
C25	GRM155R71E103KA01D	402	10nF	1	Multilayer ceramic capacitors	X7R ±10%,	25V	Murata	
C26	GRM155R71E103KA01D	402	10nF	1	Multilayer ceramic capacitors	X7R ±10%,	25V	Murata	
C27	GRM188R60J106ME47D	603	10µF	1	Multilayer ceramic capacitors	X5R ±20%,	6.3V	Murata	
C28	GRM155R71E103KA01D	402	10nF	1	Multilayer ceramic capacitors	X7R ±10%,	25V	Murata	
C17	DNP	402							
C19	DNP	402							
C29	DNP	402							
Inductors									
L1	LQW15AN6N8G00D	402	6.8nH	1	Wirewound Inductor	±5%		Murata	
L3	LQW15AN3N3D10D	402	3.3nH	1	Wirewound Inductor	±0.2nH		Murata	
L4	LQW15AN6N8G00D	402	6.8nH	1	Wirewound Inductor	±5%		Murata	
L6	LQW15AN33NJ00D	402	33nH	1	Wirewound Inductor	±5%		Murata	
L7	LQW15AN5N6C10D	402	5.6nH	1	Wirewound Inductor	±5%		Murata	
L8	LQW15AN10NJ00D	402	10nH	1	Wirewound Inductor	±5%		Murata	
L2	DNP	402							
Crystal									
Q1	NX2520SA-32.000000MHZ	nx2520sa	32.MHz	1	Surface mount type crystal units	±10ppm,		NDK	
Connectors (or P/N equivalent)									
J1	142-0701-801	SMA	50 Ohms	1	SMA End Launch jack receptacle for PCB mount			Emerson	

Figure 41. SX1238 Reference Design BOM

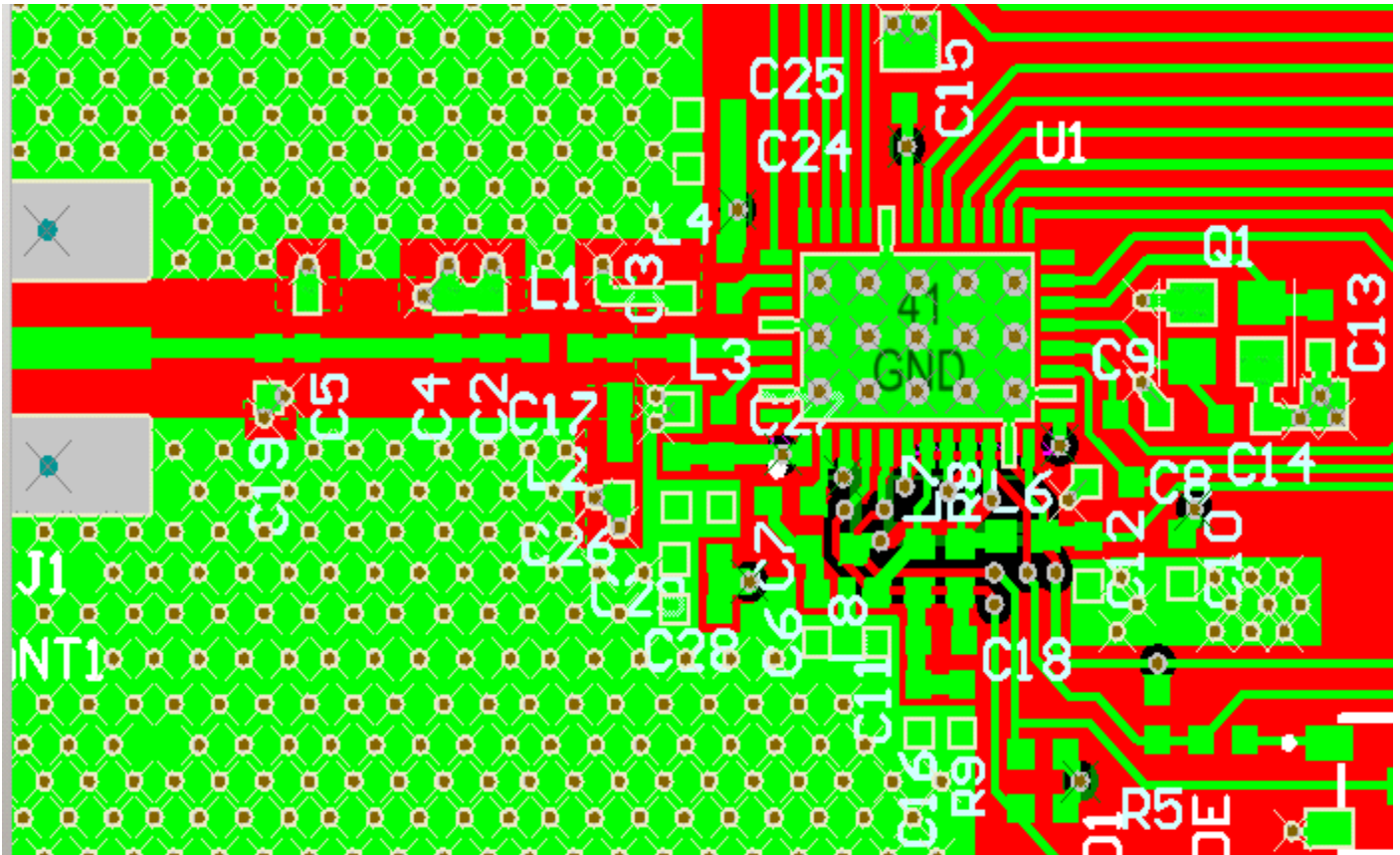


Figure 42. SX1238 PCB Layout Example

7.4. Example CRC Calculation

The following routine(s) may be implemented to mimic the CRC calculation of the SX1238:

```

1 // CRC types
2 #define CRC_TYPE_CCITT 0
3 #define CRC_TYPE_IBM 1
4
5 // Polynomial = X^16 + X^12 + X^5 + 1
6 #define POLYNOMIAL_CCITT 0x1021
7 // Polynomial = X^16 + X^15 + X^2 + 1
8 #define POLYNOMIAL_IBM 0x8005
9
10 // Seeds
11 #define CRC_IBM_SEED 0xFFFF
12 #define CRC_CCITT_SEED 0x1D0F
13
14 /*
15  * CRC algorithm implementation
16  *
17  * \param[IN] crc Previous CRC value
18  * \param[IN] data New data to be added to the CRC
19  * \param[IN] polynomial CRC polynomial selection [CRC_TYPE_CCITT, CRC_TYPE_IBM]
20  *
21  * \retval crc New computed CRC
22  */
23 U16 ComputeCrc( U16 crc, U8 data, U16 polynomial )
24 {
25     U8 i;
26     for( i = 0; i < 8; i++ )
27     {
28         if( ( ( ( crc & 0x8000 ) >> 8 ) ^ ( data & 0x80 ) ) != 0 )
29         {
30             crc <<= 1; // shift left once
31             crc ^= polynomial; // XOR with polynomial
32         }
33         else
34         {
35             crc <<= 1; // shift left once
36         }
37         data <<= 1; // Next data bit
38     }
39     return crc;
40 }
41
42 /*
43  * CRC algorithm implementation
44  *
45  * \param[IN] buffer Array containing the data
46  * \param[IN] bufferLength Buffer length
47  * \param[IN] crcType Selects the CRC polynomial[CRC_TYPE_CCITT, CRC_TYPE_IBM]
48  *
49  * \retval crc Buffer computed CRC
50  */
51 U16 RadioPacketComputeCrc( U8 *buffer, U8 bufferLength, U8 crcType )
52 {
53     U8 i;
54     U16 crc;
55     U16 polynomial;
56
57     polynomial = ( crcType == CRC_TYPE_IBM ) ? POLYNOMIAL_IBM : POLYNOMIAL_CCITT;
58     crc = ( crcType == CRC_TYPE_IBM ) ? CRC_IBM_SEED : CRC_CCITT_SEED;
59
60     for( i = 0; i < bufferLength; i++ )
61     {
62         crc = ComputeCrc( crc, buffer[i], polynomial );
63     }
64
65     if( crcType == CRC_TYPE_IBM )
66     {
67         return crc;
68     }
69     else
70     {
71         return ( U16 )( ~crc );
72     }
73 }

```

Figure 43. Example CRC Code

7.5. Example Temperature Reading

The following routine(s) may be implemented to read the temperature and calibrate the sensor:

```

1  Temperature.c
2  /*!
3   * Reads the raw temperature
4   * \retval temperature New raw temperature reading in 2's complement format
5   */
6  S8 RadioGetRawTemp( void )
7  {
8   ... S8 temp = 0;
9   ... U8 regValue = 0;
10  ...
11  ... regValue = RadioRead( 0x3C );
12  ...
13  ... // 2's complements conversion
14  ... temp = regValue & 0x7F;
15  ... if( ( regValue & 0x80 ) == 0x80 )
16  ... {
17  ...     temp *= -1;
18  ... }
19  ... return temp;
20  }
21
22  /*!
23   * Computes the temperature compensation factor
24   * \param [IN] actualTemp Actual temperature measured by an external device
25   * \retval compensationFactor Computed compensation factor
26   */
27  S8 RadioCalibrateTemp( S8 actualTemp )
28  {
29  ... return actualTemp - RadioGetRawTemp( );
30  }
31
32  /*!
33   * Gets the actual compensated temperature
34   * \param [IN] compensationFactor Return value of the calibration function
35   * \retval New compensated temperature value
36   */
37  S8 RadioGetTemp( S8 compensationFactor )
38  {
39  ... return RadioGetRawTemp( ) + compensationFactor;
40  }
41
42  /*!
43   * Usage example
44   */
45  void main( void )
46  {
47  ... S8 temp;
48  ... S8 actualTemp = 0;
49  ... S8 compensationFactor = 0;
50  ...
51  ... // Ask user for the temperature during calibration
52  ... actualTemp = AskUserTemperature( );
53  ... compensationFactor = RadioCalibrateTemp( actualTemp );
54  ...
55  ... while( True )
56  ... {
57  ...     temp = RadioGetTemp( compensationFactor );
58  ... }
59  }

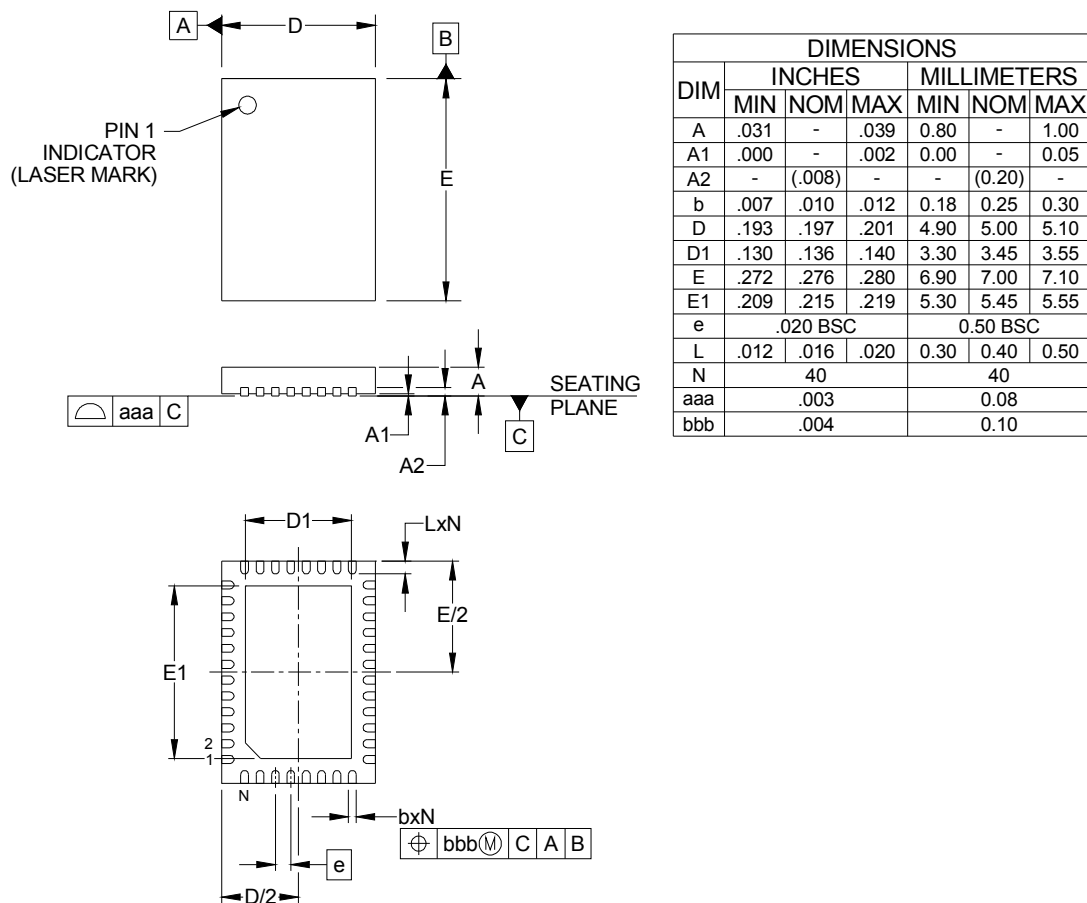
```

Figure 44. Example Temperature Reading

8. Packaging Information

8.1. Package Outline Drawing

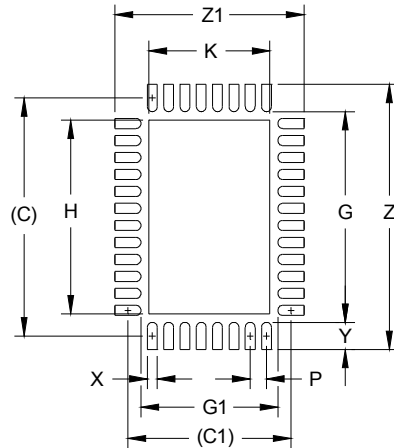
The SX1238 is available in a 40-lead MLPQ package as shown in Figure 45.



NOTES:

1. CONTROLLING DIMENSIONS ARE IN MILLIMETERS (ANGLES IN DEGREES).
2. COPLANARITY APPLIES TO THE EXPOSED PAD AS WELL AS THE TERMINALS.

Figure 45. Package Outline Drawing

8.2. Recommended Land Pattern


DIMENSIONS		
DIM	INCHES	MILLIMETERS
C	(.272)	(6.90)
C1	(.193)	(4.90)
G	.240	6.10
G1	.161	4.10
H	.222	5.65
K	.144	3.65
P	.020	0.50
R	.006	0.15
X	.012	0.30
Y	.031	0.80
Z	.303	7.70
Z1	.224	5.70

NOTES:

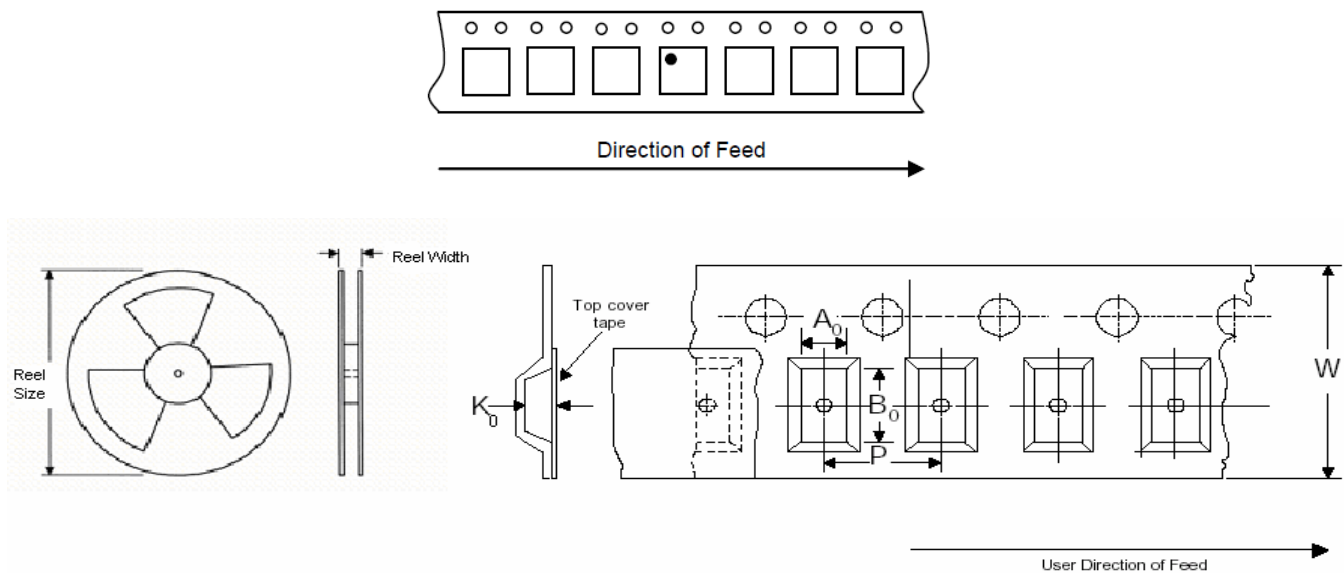
1. CONTROLLING DIMENSIONS ARE IN MILLIMETERS (ANGLES IN DEGREES).
2. THIS LAND PATTERN IS FOR REFERENCE PURPOSES ONLY.
CONSULT YOUR MANUFACTURING GROUP TO ENSURE YOUR COMPANY'S MANUFACTURING GUIDELINES ARE MET.
3. THERMAL VIAS IN THE LAND PATTERN OF THE EXPOSED PAD SHALL BE CONNECTED TO A SYSTEM GROUND PLANE.
FAILURE TO DO SO MAY COMPROMISE THE THERMAL AND/OR FUNCTIONAL PERFORMANCE OF THE DEVICE.

Figure 46. Recommended Land Pattern

8.3. Thermal Impedance

The thermal impedance of this package is: $\Theta_{ja} = 25^\circ \text{C/W typ.}$, calculated from a package in still air, on a 4-layer FR4 PCB, as per the Jedec standard.

8.4. Tape & Reel Specification



Carrier Tape					Reel					
Tape Width (W)	Pocket Pitch (P)	A ₀	B ₀	K ₀	Reel Size	Reel Width	Min. Trailer Length	Min. Leader Length	QTY per	Unit
12 +/-0.30	8 +/-0.10	5.25 +/-0.20	7.25 +/-0.20	1.10 +/-0.10	330.2	12.4	400	400	3000	mm

Figure 47. Tape & Reel Specification

Note: Single sprocket holes.

9. Revision History

Revision	Date	Comments
Rev 1	April 2014	First Final Release
Rev 2	June 2014	868 MHz band extension

Table 30 Revision History

© Semtech 2014

All rights reserved. Reproduction in whole or in part is prohibited without the prior written consent of the copyright owner. The information presented in this document does not form part of any quotation or contract, is believed to be accurate and reliable and may be changed without notice. No liability will be accepted by the publisher for any consequence of its use. Publication thereof does not convey nor imply any license under patent or other industrial or intellectual property rights. Semtech assumes no responsibility or liability whatsoever for any failure or unexpected operation resulting from misuse, neglect improper installation, repair or improper handling or unusual physical or electrical stress including, but not limited to, exposure to parameters beyond the specified maximum ratings or operation outside the specified range.

SEMTECH PRODUCTS ARE NOT DESIGNED, INTENDED, AUTHORIZED OR WARRANTED TO BE SUITABLE FOR USE IN LIFE-SUPPORT APPLICATIONS, DEVICES OR SYSTEMS OR OTHER CRITICAL APPLICATIONS. INCLUSION OF SEMTECH PRODUCTS IN SUCH APPLICATIONS IS UNDERSTOOD TO BE UNDERTAKEN SOLELY AT THE CUSTOMER'S OWN RISK. Should a customer purchase or use Semtech products for any such unauthorized application, the customer shall indemnify and hold Semtech and its officers, employees, subsidiaries, affiliates, and distributors harmless against all claims, costs damages and attorney fees which could arise.

Contact information

Semtech Corporation Wireless, Sensing & Timing Products

Semtech Corporation
Wireless, Sensing & Timing Products Division
200 Flynn Road, Camarillo, CA 93012
Phone: (805) 498-2111 Fax: (805) 498-3804
E-mail: sales@semtech.com
support_rf@semtech.com
Internet: <http://www.semtech.com>

ISO9001
CERTIFIED

Mouser Electronics

Authorized Distributor

Click to View Pricing, Inventory, Delivery & Lifecycle Information:

[Semtech:](#)

[SX1238IMLTRT](#) [SX1238-38SKA868](#)