

# AirLink® LX60

## Dual Ethernet 4G Router

The AirLink® LX60 provides LTE connectivity and Wi-Fi for primary and secondary/backup retail applications including ATMs, kiosks and POS terminals. The LX60 also supports taxis, fleets and IoT infrastructure applications in protected environments.



Single Serial	4G Cat-4
GNSS	Single 1x1 Wi-Fi 5
IP20 Rated	2x Ethernet (1 Gbps)
AirLink Complete	

## AirLink® LX60 – Router Specifications

	North America	EMEA	Australia & New Zealand
<b>CELLULAR</b>			
<b>Peak D/L</b>	Up to 150 Mbps, Cat-4 (WP7610)	Up to 150 Mbps, Cat-4 (WP7607)	Up to 150 Mbps, Cat-4 (WP7609)
<b>Peak U/L</b>	Up to 50 Mbps	Up to 50 Mbps	Up to 50 Mbp
<b>4G LTE</b>			
<b>Frequency Bands</b>	B2, B4, B5, B12, B13, B17, B66	B1, B3, B7, B8, B20, B28	B1, B3, B5, B7, B8, B28
<b>3G WCDMA/HSPA+</b>			
<b>Frequency Bands</b>	B2, B4, B5	B1, B8	B1, B5, B8
<b>2G GSM/GPRS</b>			
<b>Frequency Bands</b>	900, 1800		

## Approvals

---

<b>Regulatory</b>	FCC, IC, PTCRB	GCF, CE	GCF, RCM
-------------------	----------------	---------	----------

---

<b>Carrier</b>	AT&T, Verizon, T-Mobile
----------------	-------------------------

---

## Part Numbers

---

<b>Part Numbers</b>	1104580, 1104572 (Wi-Fi + GNSS), 1104493 (Wi-Fi + GNSS + Telemetry)	1104046, 1104047 (Wi-Fi + GNSS)	1104048, 1104049 (Wi-Fi + GNSS)
---------------------	---	---------------------------------	---------------------------------

---

## HOST INTERFACES

---

2 Gigabit RJ-45 Ethernet ports  
RS-232 serial port (DB-9)  
USB 2.0 Micro-B Connector  
3 SMA antenna connectors (cellular, diversity, GNSS)  
1 RP SMA antenna connector (Wi-Fi)  
Active GNSS antenna support  
Aux Port (RS-485/GPIO)

## SECURITY

---

Remote Authentication (LDAP, RADIUS, TACACS+) DMZ  
Inbound and Outbound Port filtering  
Inbound and Outbound Trusted IP  
MAC Address Filtering  
PCI compatible  
Secure Firmware Update

## SATELLITE NAVIGATION GNSS (OPTIONAL)

---

Dedicated 48 channel GNSS Receiver supporting GPS, GLONASS, BeiDou, Galileo  
Tracking Sensitivity: -162 dBm  
Reports (Update Rate 1Hz): NMEA, TAIP  
Reliable Store and Forward via serial, TCP or UDP  
Inertial Navigation Sensors (Accelerometer and Gyro)

## WI-FI (OPTIONAL)

---

Dual Band 2.4/5GHz Wi-Fi  
802.11 b/g/n/ac (Wave2 Client Mode)  
Support for 10 clients, WPA2 Enterprise  
Output power 16dBm  
Access Point or Client Mode (Wi-Fi as WAN)  
Single SSID Support  
Captive Portal

## LAN (ETHERNET/USB)

---

DHCP Server  
IP Passthrough  
VLAN  
Host Interface Watchdog  
PPPoE

## ENVIRONMENTAL

---

**Operating Temperature** -20°C to +65°C / -4°F to +149°F

---

**Storage Temperature** -40°C to +85°C / -40°F to +185°F

---

**Humidity** 90% RH @ 60°C

---

Military Spec MIL-STD-810G conformance to shock, vibration, thermal shock, and humidity  
IP20 rated ingress protection

## POWER

---

**Input/Operating Voltage** 7 to 36 VDC

---

**Power Modes** Low voltage disconnect to prevent battery drain  
Built-in protection against voltage transients including 5 VDC engine cranking  
Ignition Sense with time delay shutdown

## INPUT/OUTPUT

---

Configurable I/O (5 pins total)  
5 Digital Inputs: ON Voltage: 2.7 to 36 VDC  
1 Digital Open Collector Output > sinking 300 mA  
3 Analog Inputs: 0.5-5/0.5-10 VDC (range selectable)  
Configurable Pull-ups for dry contact input

## SERIAL

---

TCP/UDP PAD Mode  
Modbus (ASCII, RTU, Variable)  
PPP  
DNP3 Interoperability

## NETWORK AND ROUTING

---

Network Address Translation (NAT) Reliable Static Route  
Port Forwarding Dynamic DNS  
Policy Routing Verizon PNTM  
NEMO/DMNR IPV6 Gateway  
VRRP

## VPN

---

IPsec, GRE, and OpenVPN Client  
Up to 5 concurrent tunnels  
Split Tunnel  
Dead Peer Detection (DPD)

## ROUTER MANAGEMENT INTERFACES

---

Local web user interface  
AT Command Line Interface (Telnet/SSH/Serial)  
SNMP  
SMS Commands

## APPLICATION FRAMEWORK

---

ALEOS Application Framework (AAF)  
LUA Scripting Language

## EVENTS ENGINE

---

Custom event triggers and reports  
Configurable interface, no programming

**Event Types** Digital Input, Network Parameters, Data Usage, Timer, Power, Device Temperature and Voltage

**Report Types** RAP, SMS, Email, SNMP Trap, TCP (Binary, XML, CSV)

**Event Actions** Drive Relay Output

## VEHICLE TELEMETRY

---

OB2 II/ J1939 interface over serial (optional)  
Diagnostic real time alerts/reports (via AMM)

## INDUSTRY CERTIFICATIONS

---

**Safety** IEC6 Certification Bodies Scheme (CB Scheme), UL 60950

**Vehicle Usage** ISO7637-2, SAE J1455 (Shock, Vibration, Electrical)

**Environmental** RoHS2, REACH, WEEE

**Hazardous Environments** Class 1 Div 2 – Ambient temperatures of 0°C to +60°C

## SUPPORT AND WARRANTY

---

1 year standard warranty with up to 5 years extended warranty with current AirLink Complete subscription.  
Unrestricted critical firmware updates through at least December 31st, 2029

## ACCESSORIES

---

**In The Box** LX60, DC Power Cable and Quick Start Guide

**Other Accessories (sold separately)**

- 2000579 AC Adapter, 12VDC
- 6001214 DIN Rail Bracket
- 6001004 I/O Cable
- 6001110 Cellular Paddle Antenna
- 6001111 Wi-Fi 2.4/5Hz Paddle Antenna

For Telemetry Variant (1104493):  
6001204 OBD-II Y Cable  
6001192 J1939 Y Cable  
For Antenna options visit: [sierrawireless.com/antennas](http://sierrawireless.com/antennas)

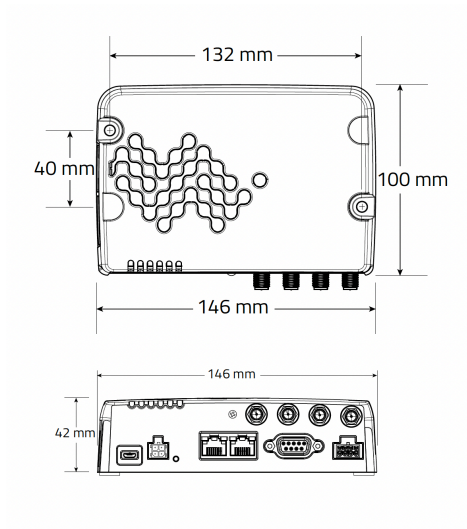
## CONSTRUCTION

---

Polycarbonate housings that meet MIL-810/IP21 environmental standards.

## DIMENSIONS

146 mm x 42 mm x 100 mm (106 mm including connectors)  
5.74 in x 1.65 in x 3.93 in (4.17 in including connectors) 250g (weight)



*\*For carrier specific band support please refer to the hardware user guide.*

# Mouser Electronics

Authorized Distributor

Click to View Pricing, Inventory, Delivery & Lifecycle Information:

[Semtech:](#)

[1104493](#) [1104572](#) [1104049](#) [1104046](#) [1104580](#) [1104048](#) [1104047](#)