

January 16, 1998

TEL:805-498-2111 FAX:805-498-3804 WEB:http://www.semtech.com

STANDARD RECOVERY, HIGH CURRENT 3-PHASE FULL WAVE BRIDGE RECTIFIER ASSEMBLIES

QUICK REFERENCE DATA

- Low forward voltage drop
- Low reverse leakage current
- Aluminum case
- Low thermal impedance
- High forward and surge current ratings

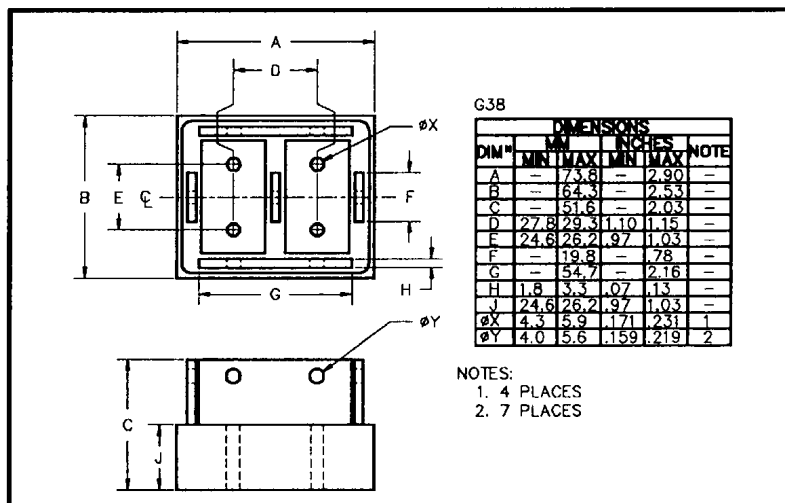
- $V_R = 50V - 600V$
- $I_F = 130A$
- $I_R = 18 \mu A$
- $I_{FSM} = 750A$

ABSOLUTE MAXIMUM RATINGS

Device Type	Working Reverse Voltage V_{RWM}	Average Rectified Current $I_{F(AV)}$						1 Cycle Surge Current	
		@ case temperature			@ ambient temperature			$I_{FSM} @ t_p = 8.3mS$	
		@ 55°C	@ 100°C	@ 125°C	@ 25°C	@ 55°C	@ 100°C	@ 25°C	@ 100°C
		Volts	Amps	Amps	Amps	Amps	Amps	Amps	Amps
SC3AS05	50								
SC3AS1	100								
SC3AS2	200	130	95	70	18	14	9	750	600
SC3AS4	400								
SC3AS6	600								

$$R_{\theta JC} = 0.3^{\circ}C/W$$

MECHANICAL



January 16, 1998

ELECTRICAL CHARACTERISTICS

Device Type	Reverse Leakage Current $I_R @ V_{RWM}$		Maximum Forward Voltage $V_F @ 18A/leg @ 25^\circ C$	Maximum Reverse Recovery Time $t_{rr} @ 25^\circ C$	Maximum operating & storage temp range.	
	@ 25°C	@ 100°C			T_{OP}	T_{STG}
	μA	μA	Volts	μS	°C	
SC3AS05 SC3AS1 SC3AS2 SC3AS4 SC3AS6	18.0	360	1.0	2.0	- 55 to +150	

¹ Measured on discrete devices prior to assembly

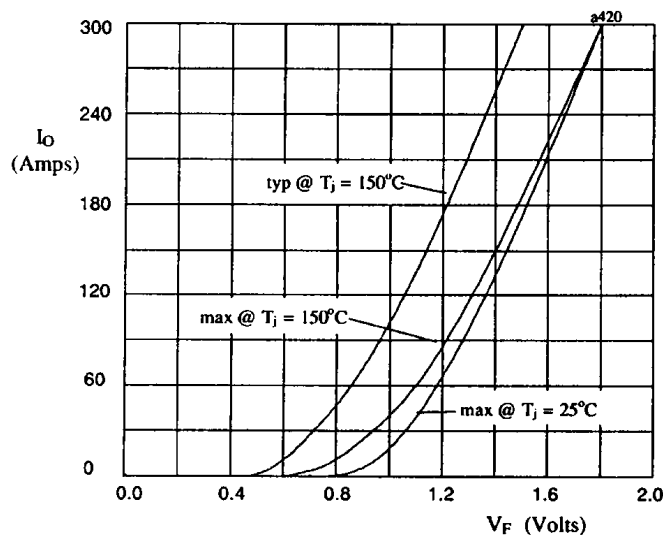


Fig 1. Forward voltage drop against output current per leg

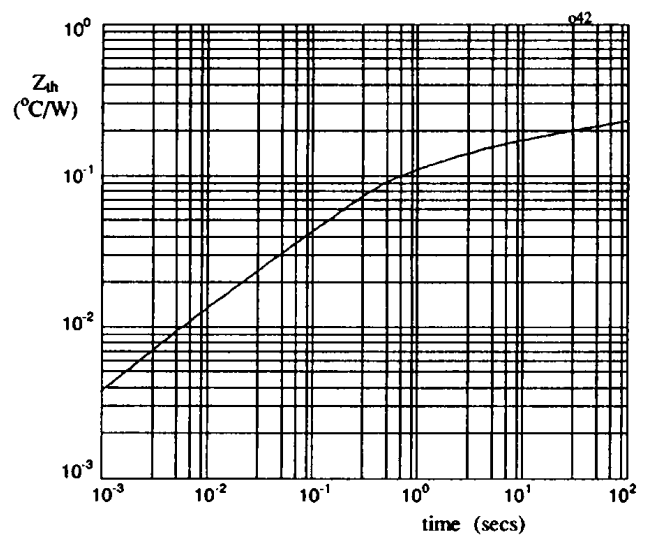


Fig 2. Transient thermal impedance characteristic per leg

Mouser Electronics

Authorized Distributor

Click to View Pricing, Inventory, Delivery & Lifecycle Information:

[Semtech:](#)

[SC3AS6](#)