

January 16, 1998

TEL:805-498-2111 FAX:805-498-3804 WEB:http://www.semtech.com

STANDARD RECOVERY, PCB MOUNTING, 1-PHASE FULL WAVE BRIDGE RECTIFIER ASSEMBLIES

QUICK REFERENCE DATA

- Low forward voltage drop
- Low reverse leakage current
- Subminiature design
- Three lead configurations
- Pcb mounting

- $V_R = 200V - 1000V$
- $I_F = 3.0A$
- $I_R = 2.0 \mu A$
- $t_{rr} = 2.0\mu S$

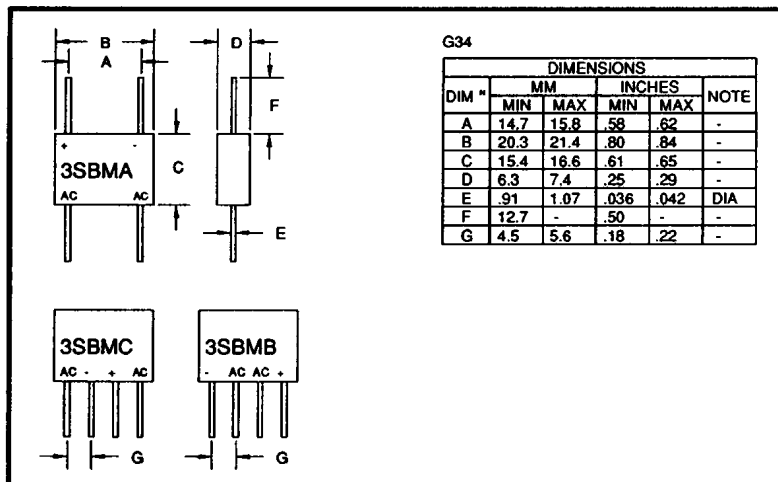
ABSOLUTE MAXIMUM RATINGS & CHARACTERISTICS

Device Type	Working Reverse Voltage V_{RWM}	Average Rectified Current $I_{F(AV)}$		1 Cycle Surge Current I_{FSM} $t_p = 8.3ms$	Repetitive Surge Current I_{FRM}	Reverse Leakage Current $I_R @ V_{RWM}$		Forward Voltage drop $V_F @ 3A/leg$ $@ 25^\circ C$	Reverse Recovery Time t_{rr} $@ 25^\circ C$
		@ 55°C	@ 100°C			@ 25°C	@ 100°C		
		Volts	Amps	Amps	Amps	Amps	μA	μA	Volts
3SBM*2	200	3.0	1.5	150	25	2.0	40	1.0	2.0
3SBM*4	400	3.0	1.5	150	25	2.0	40	1.0	
3SBM*6	600	3.0	1.5	150	25	2.0	40	1.0	
3SBM*8	800	3.0	1.5	150	25	2.0	40	1.0	
3SBM*0	1000	3.0	1.5	150	25	2.0	40	1.0	

* Add A, B, C for desired circuit configuration
(see Mechanical outline)

¹ Measured on discrete devices prior to assembly

MECHANICAL



January 16, 1998

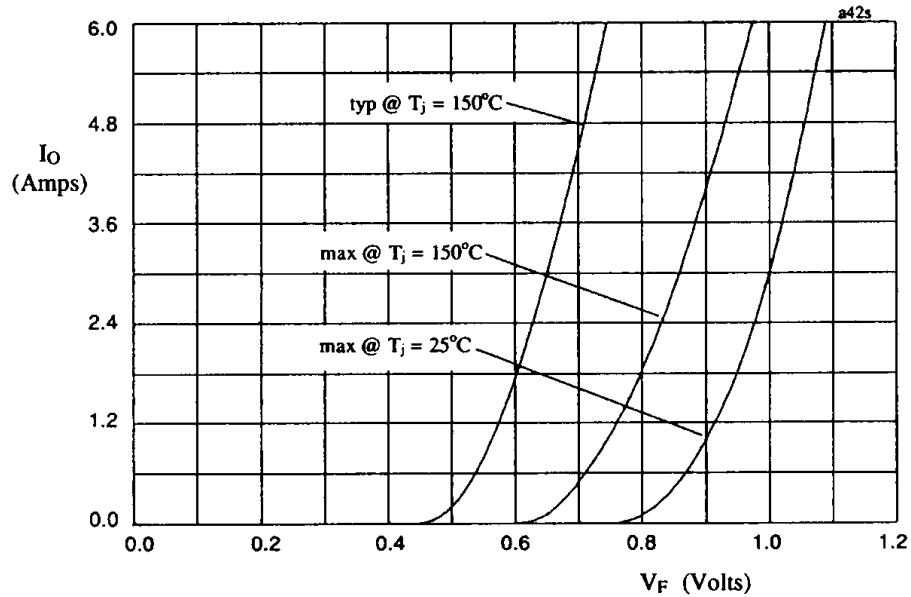


Fig 1. Forward voltage drop against output current per leg

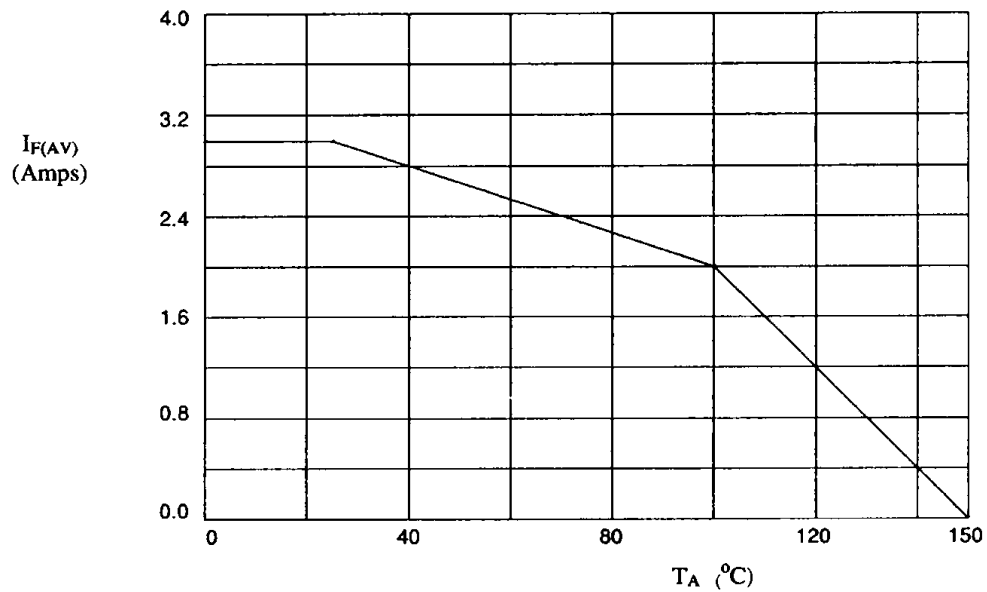


Fig 2. Maximum average forward current against ambient temperature.

Mouser Electronics

Authorized Distributor

Click to View Pricing, Inventory, Delivery & Lifecycle Information:

[Semtech:](#)

[3SBMC4](#) [3SBMC6](#) [3SBMB05](#) [3SBMB4](#) [3SBMB6](#) [3SBMA2](#) [3SBMB2](#) [3SBMA6](#)