

Nixie tube battery power indicator.

The battery type is displayed in 4 cells at a glance.

The default economy is 4 bits, blue inside and red outside; Without low battery flashing reminder (without battery red frame flashing function), two-wire system, convenient for wiring. With reverse connection protection.

Product parameters

1. Working current: <20mA, the lower the battery voltage, the lower the current.

2 Working temperature:  $-10^{\sim}+65^{\circ}\text{C}$

3 Working humidity:  $10^{\sim}80\%$  (no condensation)

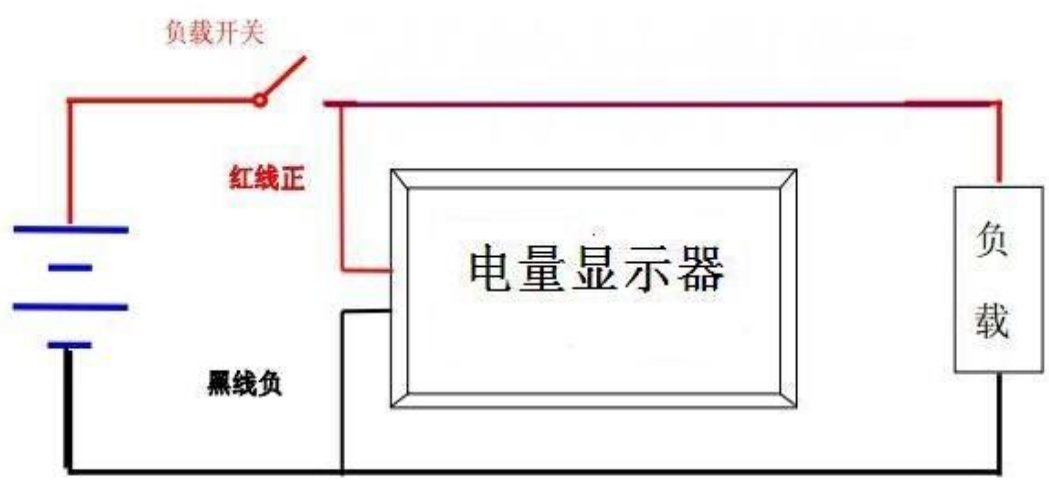
4 Overall dimension:  $48 \times 29 \times 21 \text{ mm}$

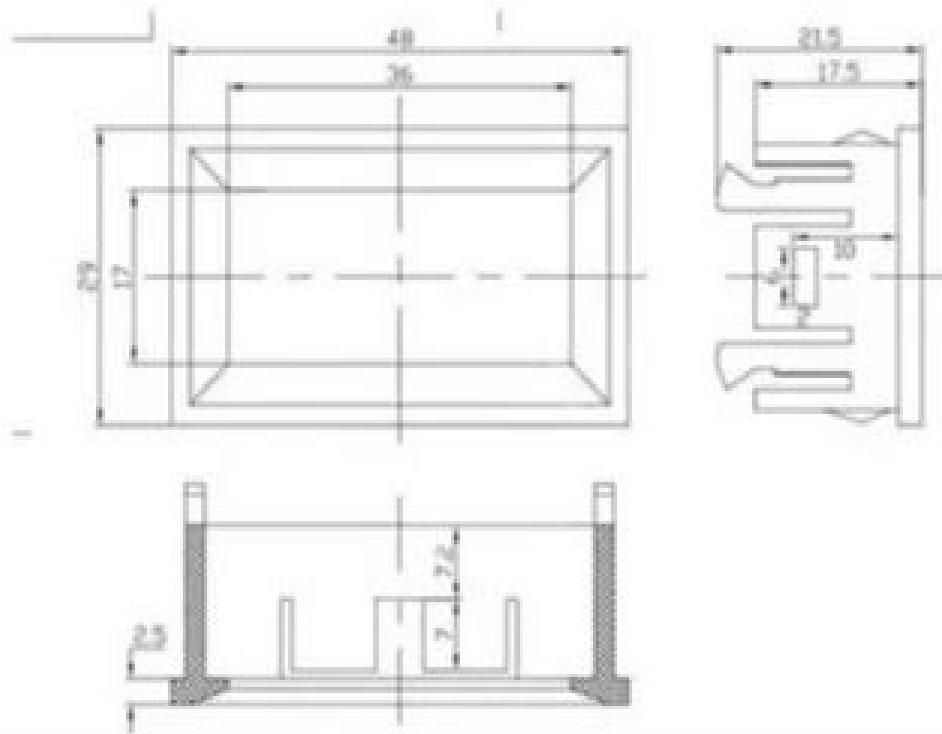
5 Installation opening:  $45.5 \times 26.5 \text{ mm}$

Low power consumption of the whole machine. With shell, it is convenient to use independently or embed on the panel of the product.

Internal green and external red battery with battery capacity







# Mouser Electronics

Authorized Distributor

Click to View Pricing, Inventory, Delivery & Lifecycle Information:

[Adafruit:](#)

[5383](#)