

Shielded Tab-Up 1x1 RJ45

8P/8C Tab-Up Shielded RJ45 Ethernet Connectors

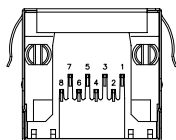
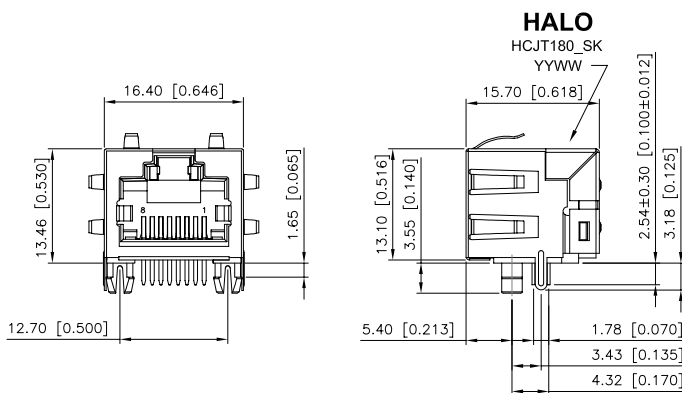


Product Features:

- Shielded RJ45 Connectors
- Minimum of 750 Mating Cycles
- Multiple Gold Contact Plating Options
- DWV - 1500VAC Contact to Shield
- Current Rating - 1.5A
- Voltage Rating - 125V
- UL94V-0 Flammability Rating

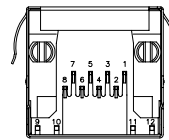
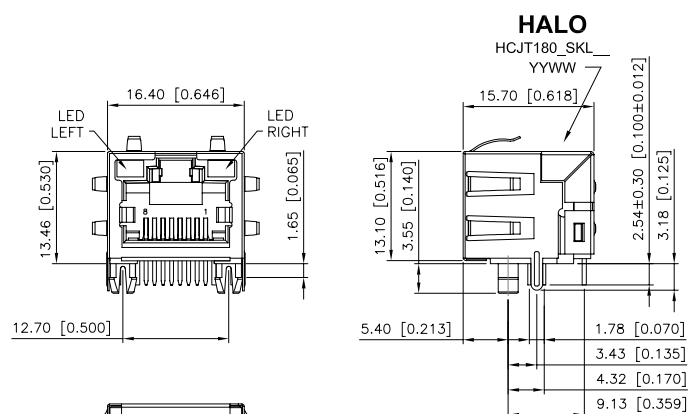
Part Number	Mechanical/ Footprint	LED's L/R	Contact Plating (min)	Latch Orientation	Operating Temp Range
HCJT1-802SK	A	None	6 μ "	Tab-Up - Side Entry	-40°C to +85°C
HCJT1-804SK	A	None	30 μ "	Tab-Up - Side Entry	-40°C to +85°C
HCJT1-805SK	A	None	50 μ "	Tab-Up - Side Entry	-40°C to +85°C
HCJT1-802SK-L11	B	G/G	6 μ "	Tab-Up - Side Entry	-40°C to +85°C
HCJT1-804SK-L11	B	G/G	30 μ "	Tab-Up - Side Entry	-40°C to +85°C
HCJT1-805SK-L11	B	G/G	50 μ "	Tab-Up - Side Entry	-40°C to +85°C
HCJT1-802SK-L12	B	G/Y	6 μ "	Tab-Up - Side Entry	-40°C to +85°C
HCJT1-804SK-L12	B	G/Y	30 μ "	Tab-Up - Side Entry	-40°C to +85°C
HCJT1-805SK-L12	B	G/Y	50 μ "	Tab-Up - Side Entry	-40°C to +85°C

A - Mechanical (no LED)

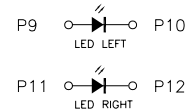


DIMENSIONS: mm [inch]
TOLERANCE: .XX ±0.25[0.010]
.X ±0.30[0.012]

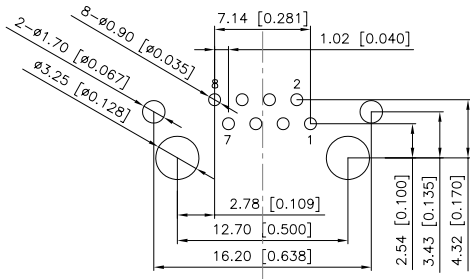
B - Mechanical (w/ LED)



DIMENSIONS: mm [inch]
TOLERANCE: .XX ±0.25[0.010]
.X ±0.30[0.012]

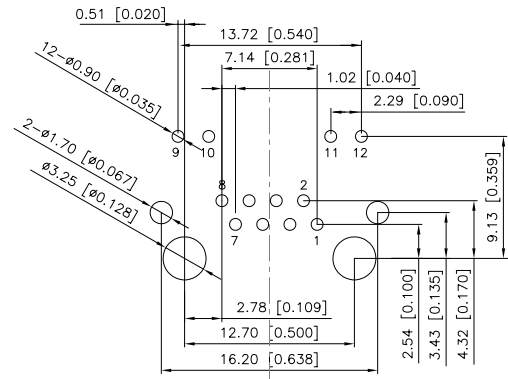


A - Recommended Footprint (no LED)



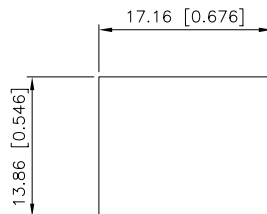
RECOMMENDED PCB LAYOUT (TOP VIEW)
DIMENSIONAL TOLERANCE: ± 0.08 [0.003]

B - Recommended Footprint (w/ LED)



RECOMMENDED PCB LAYOUT (TOP VIEW)
DIMENSIONAL TOLERANCE: ± 0.08 [0.003]

Recommended Panel Cutout



RECOMMENDED
PANEL CUTOUT DIMENSION

Notes:

1. Unshielded, alternate footprints, and EMI tab variations available. Please contact the factory for additional information.
2. LED Colors; G=Green, Y=Yellow. Additional LED colors available.
3. Part specific datasheets upon request



2880 Lakeside Drive #116
Santa Clara, CA 95054
(650) 903-3800
www.haloelectronics.com

HALO® Electronics is a leading supplier of high quality communication magnetics including signal transformers, filters, CMR chokes, PoE power transformers, DC/DC converters, and integrated Ethernet connectors. HALO's leading edge technology solutions are manufactured in ISO9001 and ISO14001 factories offering high quality products at a competitive price.

Mouser Electronics

Authorized Distributor

Click to View Pricing, Inventory, Delivery & Lifecycle Information:

[HALO Electronics:](#)

[HCJT1-802SK-L21](#) [HCJT1-804SK-L21](#) [HCJT1-805SK-L21](#)