



Housing Material: Polyester, Black UL94V-0  
 Contacts: Phosphor Bronze 30µin Au plating over Ni  
 Leads: Matte Sn over Ni  
 Shield: Cu Alloy with Ni plating 40µin min  
 Durability: 1000 mating cycles  
 Dimensions: Inch [mm]  
 Tolerances: ±0.008 inch if not specified

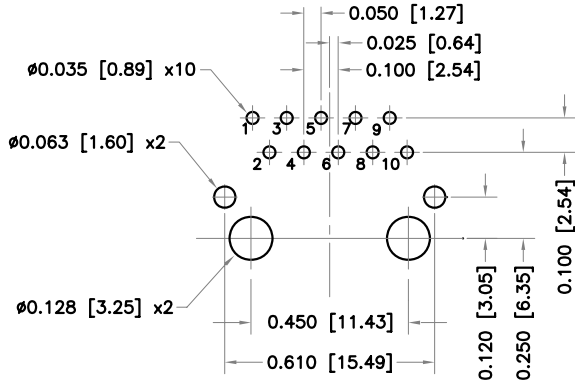
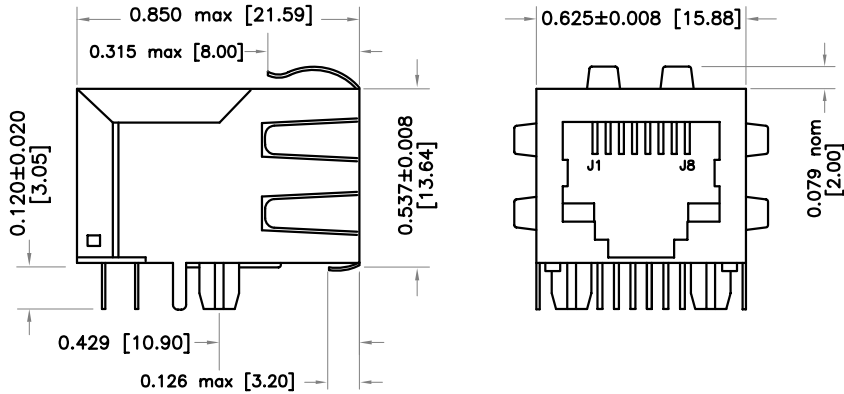


**PART NO. : HFJ11-RP22ERL**

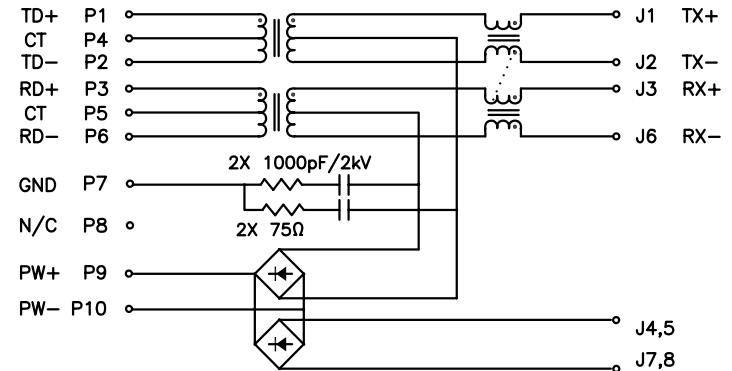
FASTJACK™ WITH 10/100BASE-TX MAGNETICS  
 POWER ON USED OR UNUSED PAIRS FOR UP TO 350mADC  
 RoHS COMPLIANT  
 OPERATING TEMPERATURE 0 TO 55°C

**ELECTRICAL SPECIFICATIONS @ 25° C**

URNS RATIO	1CT:1 ±3%
OCL (100KHz,0.1Vrms,8mA)	350µH min
INSERTION LOSS	
0.1-100MHz	-1.1dB max
RETURN LOSS	
0.5-30MHz	-18dB min
40MHz	-15.5dB min
50MHz	-13.6dB min
60-80MHz	-12dB min
CROSSTALK 0.1-100MHz	-38dB typ
CMR 0.1-30MHz	-50dB typ
30-60MHz	-40dB typ
60-100MHz	-30dB typ
ISOLATION	1,500Vrms



RECOMMENDED P.C. BOARD PATTERN (COMP. SIDE)



LINE



**HALO/PBL**

CALIFORNIA, USA  
 KOWLOON, HONG KONG  
 SINGAPORE

TITLE	FastJack™ SINGLE	SIGNATURES	DATE	REV.	DESC.	DATE
FOR	FAST ETHERNET IEEE802.3af	DRAWN	LI ZHI ZHONG	9/13/05	A	FIRST ISSUE
PART NO.	HFJ11-RP22ERL	CHECKED	LEI KEONG	7/27/10	B	CORRECT MECH. TOL.
SCALE	NONE	APPROVED	PETER LU	7/27/10	C	PROD. RELEASE
PAGE	1 OF 1	FILE	RP22ERL.DWG			

# Mouser Electronics

Authorized Distributor

Click to View Pricing, Inventory, Delivery & Lifecycle Information:

[HALO Electronics:](#)

[HFJ11-RP22ERL](#)