



Housing Material: Polyester, Black UL94V-0
 Contacts: Phosphor Bronze 30µin Au plating over Ni
 Leads: Matte Sn over Ni
 Shield: Cu Alloy with Ni plating 40µin min
 Durability: 1000 mating cycles
 Dimensions: Inch [mm]
 Tolerances: ±0.008 inch if not specified

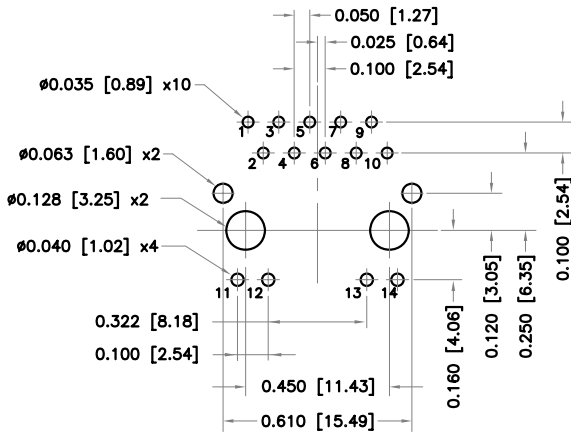
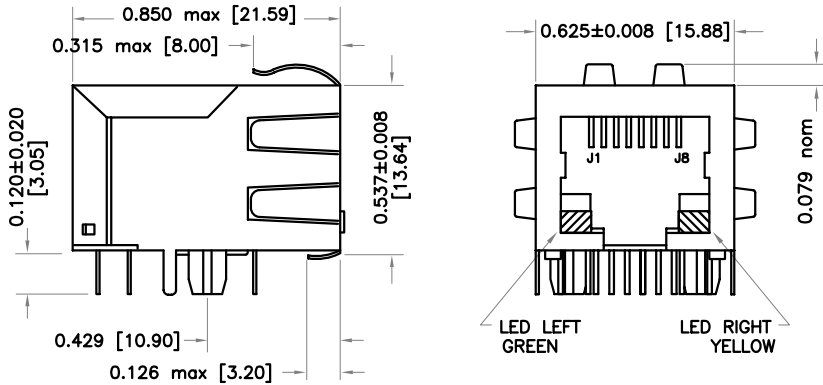


PART NO. : HFJ11-1G40E-L12RL

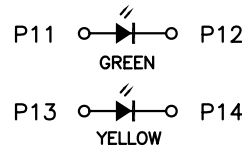
FASTJACK™ WITH 1000BASE-T MAGNETICS
 OPTIMIZED FOR VOLTAGE DRIVEN OUTPUTS
 RoHS COMPLAINT
 COMPATIBLE TO LEAD-FREE WAVE SOLDERING PROCESS FOR THROUGH HOLE COMPONENTS
 OPERATING TEMPERATURE 0/70°C

ELECTRICAL SPECIFICATIONS @ 25° C

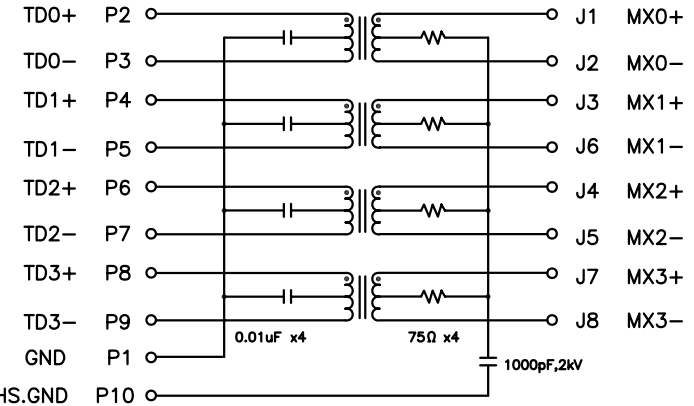
| | |
|-----------------------|------------|
| URNS RATIO | 1:1 ±3% |
| ACL (100kHz,0.1V,8mA) | 350µH min |
| INSERTION LOSS | |
| 1-100MHz | -1.1dB max |
| RETURN LOSS | |
| 1-40MHz | -18dB min |
| 60MHz | -14dB min |
| 80MHz | -12dB min |
| 100MHz | -10dB min |
| CROSSTALK 1-100MHz | -40dB typ |
| ISOLATION | 1,500Vrms |



RECOMMENDED P.C. BOARD PATTERN (COMP. SIDE)



LED FORWARD VOLTAGE/
 CURRENT: 2.1V/10mA typ



LINE



| | | | | | | | | |
|-----------------|----------|-------------------|------------|--------------|-----------------|-------|---------------|---------|
| HALO/PBL | TITLE | FastJack™ SINGLE | SIGNATURES | DATE | REV. | DESC. | DATE | |
| | FOR | GIGABIT ETHERNET | DRAWN | LI ZHI ZHONG | 2/14/06 | A | FIRST ISSUE | 2/14/06 |
| | PART NO. | HFJ11-1G40E-L12RL | CHECKED | LEI KEONG | 8/25/10 | B | PROD. RELEASE | 8/25/10 |
| | SCALE | NONE | APPROVED | PETER LU | 8/25/10 | | | |
| | | PAGE | 1 OF 1 | FILE | 1G40E-L12RL.DWG | | | |

CALIFORNIA, USA
 KOWLOON, HONG KONG
 SINGAPORE

Mouser Electronics

Authorized Distributor

Click to View Pricing, Inventory, Delivery & Lifecycle Information:

[HALO Electronics:](#)

[HFJ11-1G40E-L12RL](#)