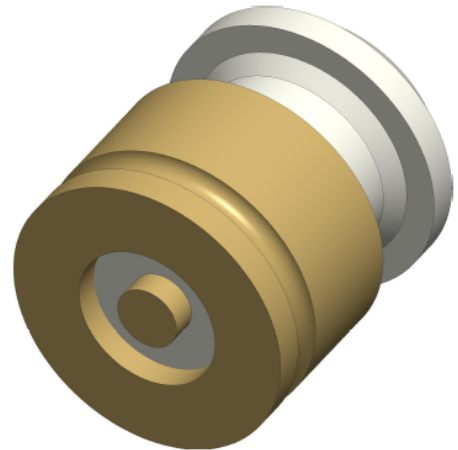
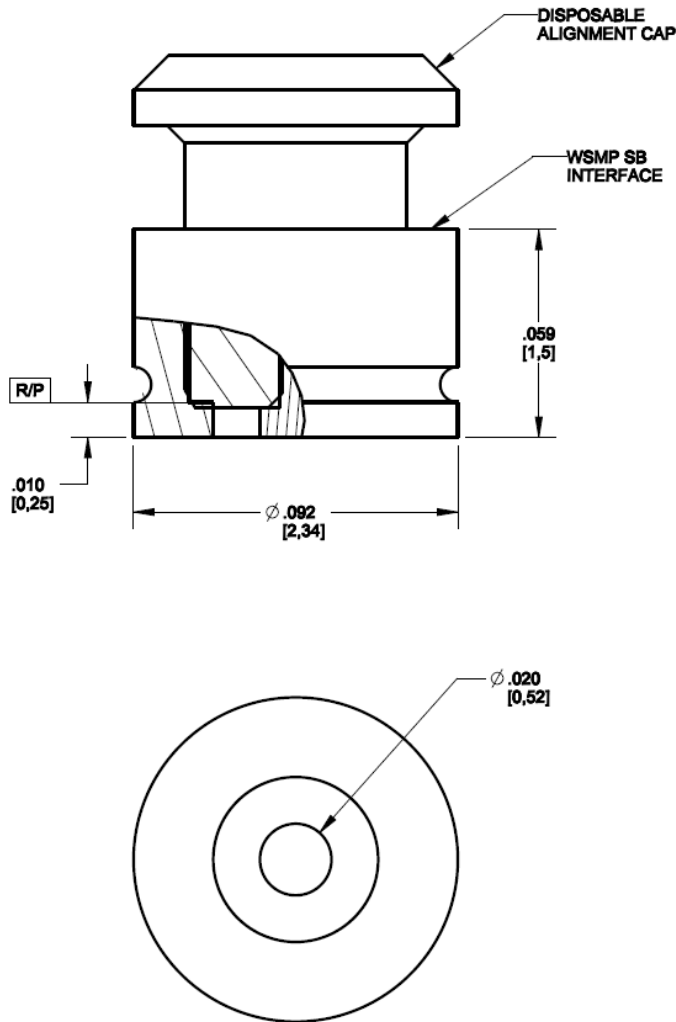


WSMP

WSMP Straight, SB, PCB Plug,
Pin/shroud kit

W1S144-40ML5



PROPRIETARY AND CONFIDENTIAL
 This data sheet is the property of Rosenberger of North America, LLC. By acceptance of this document you agree that all the rights to drawings, specifications, processes and other data therein, as well as the proprietary and novel features of the subject matter, are reserved by Rosenberger of North America, LLC and are disclosed in confidence. They are not to be manufactured, used, sold or disclosed to others, nor are devices embodying such features or information derived from these disclosures to be used or disclosed, unless and until expressly authorized by Rosenberger of North America, LLC. These drawings, specifications, processes, etc., are and remain the property of Rosenberger of North America, LLC, and are not to be copied or reproduced without permission.

All dimensions are in inches [mm]
 Unless otherwise specified: XXX ±.002 [0,050]

Interface

According to Rosenberger WSMP™ Interface standards

Material and plating

Connector parts
 Body and contact

Material
 CuBe per ASTM B196

Plating
 Hard gold, 6 µIN [0,15µm] min, over nickel, 50µIN [1,27µm] min

Disposable Cap

PTFE per ASTM D1710

Technical Data Sheet

Rosenberger

WSMP

WSMP Straight, SB, PCB Plug,
Pin/shroud kit

W1S144-40ML5

Electrical data

Impedance	50 Ω
Frequency	DC to 65 GHz
Return loss (typical)*	≥ 26 dB, DC to 26.5 GHz ≥ 19 dB, 26.5 to 65 GHz
Insertion loss	≤ 0.12 x √f(GHz) dB
Insulation resistance	≥ 3,500 MΩ
Center contact resistance	≤ 6.0 mΩ
Outer contact resistance	≤ 2.0 mΩ
Test voltage (at sea level)	250 V rms
RF High Potential (at sea level)	150 V rms @ 5 MHz
RF leakage (typical mated pair)	≥ -80 dB

* Connector only, return loss in application depends decisively on PCB layout

Mechanical data

Mating cycles	
- Smooth Bore	≥ 500
Engagement force (typical)	
- Smooth Bore	1.2 lb _f [5.3 N]
Disengagement force (typical)	
- Smooth Bore	1.0 lb _f [4.5 N]

Environmental data

Temperature range	-55°C to +165°C
Thermal shock	MIL-STD-202-107, Condition B
Corrosion	MIL-STD-202-101
Vibration	MIL-STD-202-204, Condition D
Shock	MIL-STD-202-213, Condition I
Moisture resistance 2002/95/EC (RoHS)	MIL-STD-202-106, except Step 7B compliant

Tooling

N/A

Suitable cables

N/A

Packing

Standard

PROPRIETARY AND CONFIDENTIAL
 This data sheet is the property of Rosenberger of North America, LLC. By acceptance of this document you agree that all the rights to drawings, specifications, processes and other data therein, as well as the proprietary and novel features of the subject matter, are reserved by Rosenberger of North America, LLC and are disclosed in confidence. They are not to be manufactured, used, sold or disclosed to others, nor are devices embodying such features or information derived from these disclosures to be used or disclosed, unless and until expressly authorized by Rosenberger of North America, LLC. These drawings, specifications, processes, etc., are and remain the property of Rosenberger of North America, LLC, and are not to be copied or reproduced without permission.

Draft	Date	Approved	Date	Rev.	Engineering change number	Name	Date
P. Sill	3/12/19	J. Havener	3/12/19	b00	Released per 19-s000	P. Sill	3/27/19
Rosenberger of North America, LLC P.O. Box 309 Akron, PA USA 17501 www.rosenbergerna.com				Tel. : +1.717.859.8900 Fax : +1.717.859.7044 Email : info@rosenbergerna.com			Page 2 / 2

Mouser Electronics

Authorized Distributor

Click to View Pricing, Inventory, Delivery & Lifecycle Information:

[Rosenberger:](#)

[W1S144-40ML5](#)