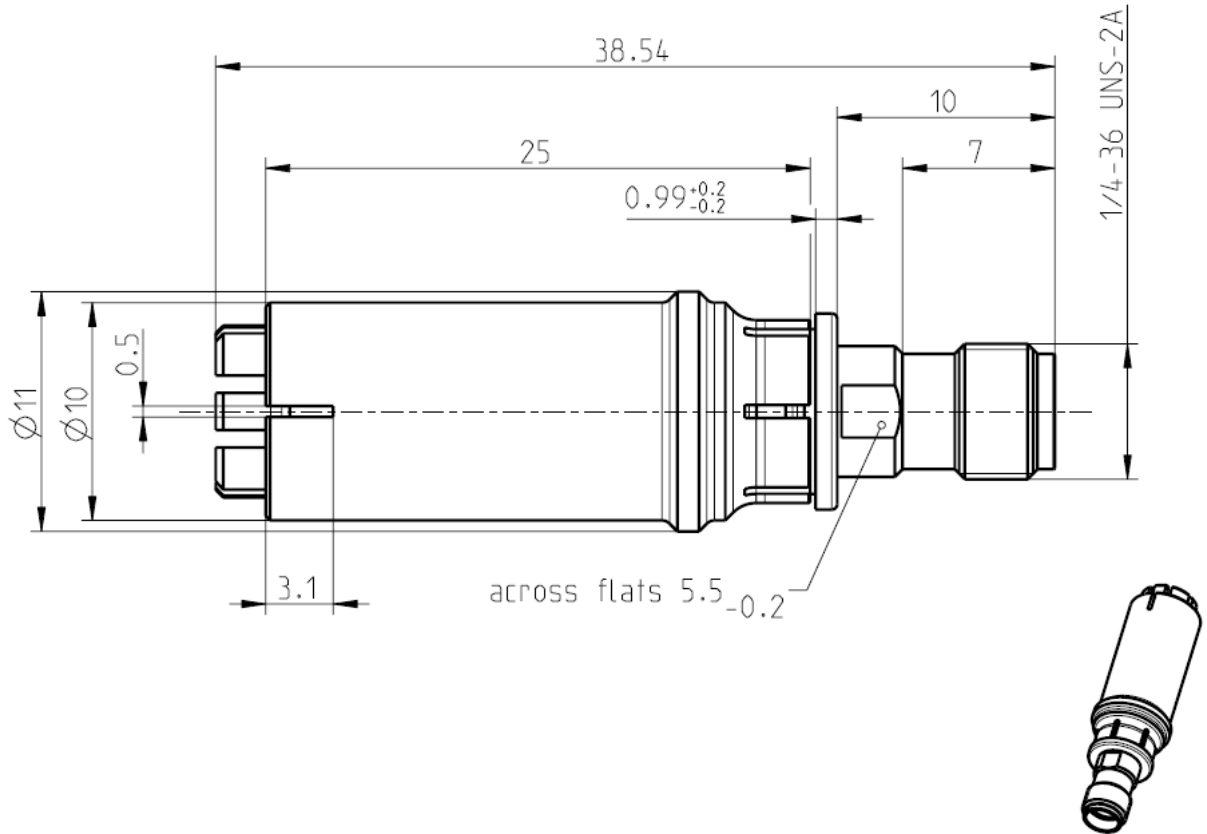


Quick-Lock™
(SMA)

Adaptor
SMA Jack - Quick-Lock
SMA Plug

32QS132-K00L5



All dimensions are in mm; tolerances according to ISO 2768 m-H

Interface

Quick-Lock SMA according to
SMA according to
Mechanically compatible with

Rosenberger Quick-Lock™
IEC 60169-15; EN 122110; MIL-STD-348;
RPC-2.92, RPC-3.50 and SMA

Documents

N/A

Material and plating

Connector parts

Center contact
Outer contact
Body
Clamping piece
Dielectric
Sleeve

Material

CuBe
Brass
Brass
Brass
PTFE
POM

Plating

AuroDur®, gold plated
AuroDur®, gold plated
AuroDur®, gold plated
White bronze(e.g. Optalloy®)

Dieses Dokument ist urheberrechtlich geschützt • This document is protected by copyright • Rosenberger Hochfrequenztechnik GmbH & Co. KG

RF_35/05:10/6.0

Quick-Lock™
(SMA)

Adaptor
SMA Jack - Quick-Lock
SMA Plug

32QS132-K00L5

Electrical data

Impedance	50 Ω
Frequency	DC to 18 GHz
Return loss	≥ 30 dB, DC to 3 GHz ≥ 18 dB, 3 GHz to 12 GHz ≥ 16 dB, 12 GHz to 18 GHz
Insertion loss	≤ 0.05 x √f [GHz] dB
Insulation resistance	≥ 5 GΩ
Center contact resistance	≤ 3 mΩ
Outer contact resistance	≤ 3 mΩ
Test voltage (at sea level)	1000 V rms
Working voltage (at sea level)	350 V rms

Mechanical data

Mating cycles	≥ 500
Center contact captivation: axial	≥ 27 N
radial	≥ 3 Ncm

Environmental data

Temperature range	-45 °C to +85 °C
Thermal shock	MIL-STD-202, Method 107, Condition B
Corrosion	MIL-STD-202, Method 101, Condition B
Vibration	MIL-STD-202, Method 204, Condition D
Shock	MIL-STD-202, Method 213, Condition I
Moisture resistance	MIL-STD-202, Method 106
RoHS	compliant

Tooling

N/A

Suitable cables

N/A

Packing

Standard	1 pce. in bag
Weight	9,63g

While the information has been carefully compiled to the best of our knowledge, nothing is intended as representation or warranty on our part and no statement herein shall be construed as recommendation to infringe existing patents. In the effort to improve our products, we reserve the right to make changes judged to be necessary.

Draft	Date	Approved	Date	Rev.	Engineering change number	Name	Date
Christian Janßen	02.12.09	Martin Moder	07.10.16	500	16-1634	S. Andorfer	07.10.16

Mouser Electronics

Authorized Distributor

Click to View Pricing, Inventory, Delivery & Lifecycle Information:

[Rosenberger:](#)

[32QS132-K00L5](#)