

Technical Data Sheet

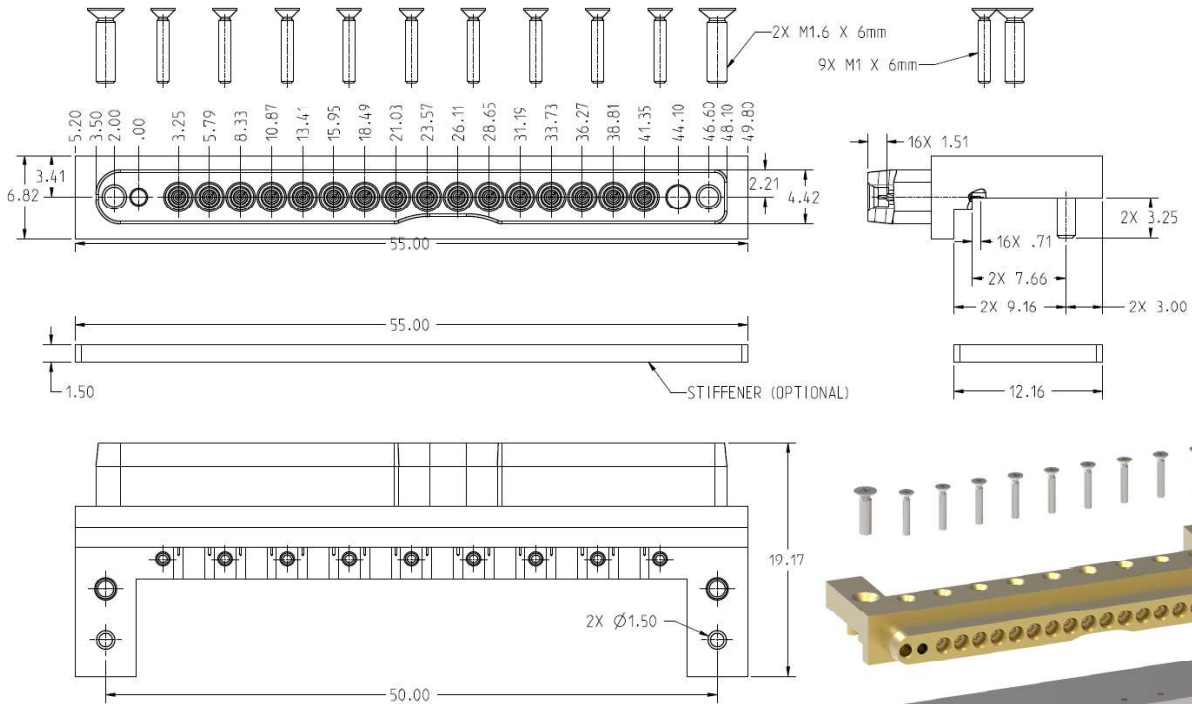
Rosenberger

SMPX

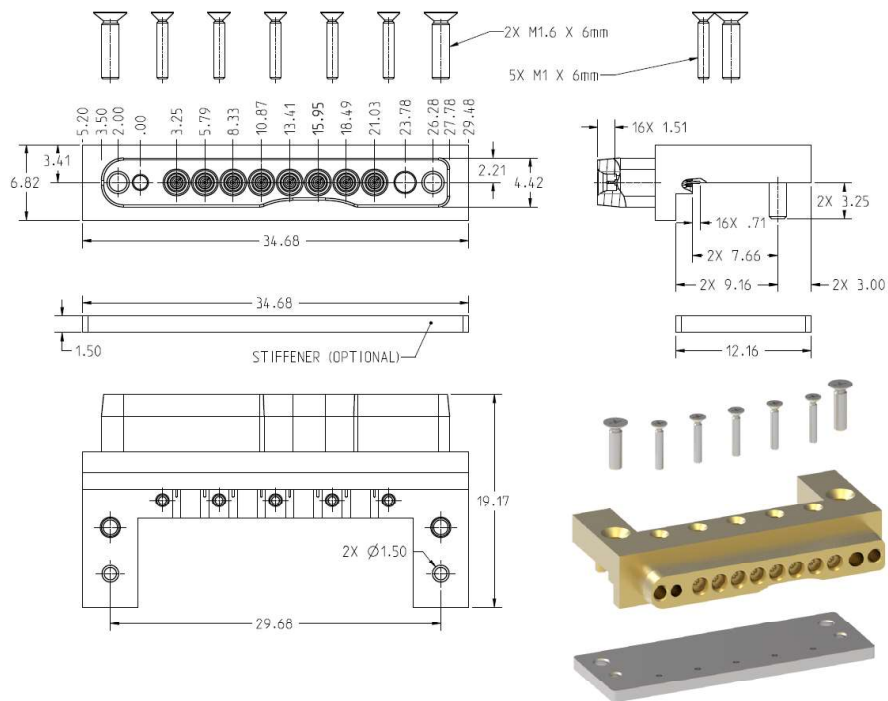
Edge Launch Male
PCB Connector

W2S201-40ML3-XX

W2S201-40ML3-16



W2S201-40ML3-08



PROPRIETARY AND CONFIDENTIAL
 This data sheet is the property of Rosenberger North America Akron, LLC. By acceptance of this document, you agree that all the rights to drawings, specifications, processes, and other data therein, as well as the proprietary and novel features of the subject matter, are reserved by Rosenberger North America Akron, LLC, and are disclosed in confidence. They are not to be manufactured, used, sold, or disclosed to others, nor are devices embodying such features or information derived from these disclosures to be used or disclosed unless and until expressly authorized by Rosenberger North America Akron, LLC. These drawings, specifications, processes, etc., are and remain the property of Rosenberger North America Akron, LLC, and are not to be copied or reproduced without permission.

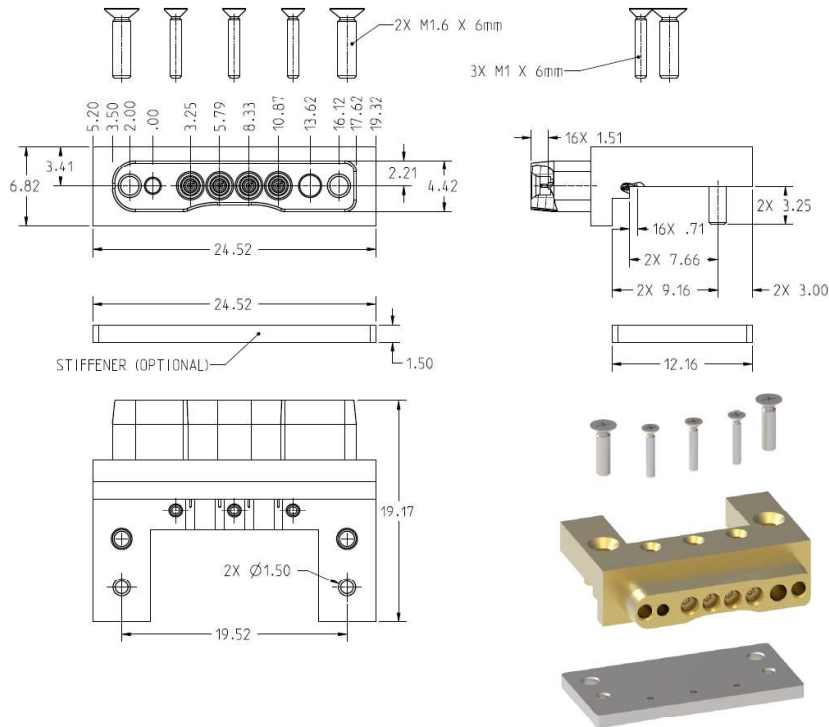
FR-053
RNA_Datasheet2_Rev A
08/01/2022

Rosenberger North America Akron, LLC
 P.O. Box 309 Akron, PA USA 17501
www.rosenbergerna.com

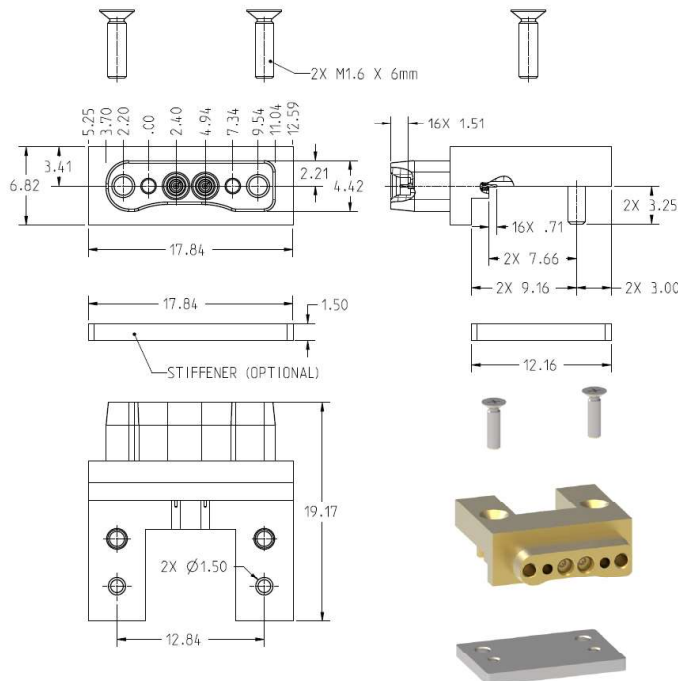
Tel. : +1.717.859.8900
 Fax : +1.717.859.7044
 Email : info@rosenbergerna.com

Page
1 / 5

W2S201-40ML3-04



W2S201-40ML3-02



All dimensions are in mm

Unless otherwise specified tolerances are as follows: .XX±.025; XXX±.012

PROPRIETARY AND CONFIDENTIAL
 This data sheet is the property of Rosenberger North America Akron, LLC. By acceptance of this document, you agree that all the rights to drawings, specifications, processes, and other data therein, as well as the proprietary and novel features of the subject matter, are reserved by Rosenberger North America Akron, LLC, and are disclosed in confidence. They are not to be manufactured, used, sold, or disclosed to others, nor are devices embodying such features or information derived from these disclosures to be used or disclosed unless and until expressly authorized by Rosenberger North America Akron, LLC. These drawings, specifications, processes, etc., are and remain the property of Rosenberger North America Akron, LLC, and are not to be copied or reproduced without permission.

Technical Data Sheet

Rosenberger

SMPX

Edge Launch Male
PCB Connector

W2S201-40ML3-XX

Interface

According to Rosenberger SMPX Interface standards

Material and plating

Connector parts

Body

Material

Brass per ASTM B16

Plating

Hard Gold, 6µin min over
Electroless Nickel, 80µin min
Hard Gold, 31µin min over
Electroless Nickel, 80µin min

Pin

CuBe per ASTM B196

Front Insulator

ULTEM® 1000 or equivalent
per ASTM D5205, PEI0113

Back Insulator

PEEK 1000 or equivalent
Per ASTM 6262

Stiffener (Optional)

SST per ASTM A582

Passivated

M1.6 X 6mm Screw*

SST per ASTM A582

Passivated

M1 X 6mm Screw*

SST per ASTM A582

Passivated

*Note: The screw sizes can be modified to accommodate variations in board thickness.
The screw sizes listed above allow for board thickness of X.XX ± X.XX

Electrical data (@ STP unless otherwise specified)

Impedance

50 Ω

Frequency

DC to 110 GHz

Return Loss*

≤ 15 dB at 70 GHz

Insertion loss

≤ 0.1 dB x √f(GHz), DC to 70 GHz

Insulation resistance

≥ 5 GΩ

Center contact resistance

≤ xx mΩ

Outer contact resistance

≤ xx mΩ

Working Voltage

500 V rms

RF High Potential

xxx V rms @ 5 MHz

RF leakage

≥ xx dB

Mechanical data

Mating cycles (single channel)

≤ 10000

Engagement force (max)

0.9 lbr [4.0 N]

Disengagement force (min)

1.32 lbr [5.9 N]

PCB Installation Cycles

100 (Typical)

Environmental data

Temperature range

-40°C to +120°C

Thermal shock

MIL-STD-202 – 107, Condition B

Corrosion

MIL-STD-202 – 101, Condition B

Vibration

MIL-STD-202 – 204, Condition B

Shock

MIL-STD-202 – 213, Condition A

Moisture resistance

MIL-STD-202 – 106, except Step 7B

2002/95/EC (RoHS)

compliant

PROPRIETARY AND CONFIDENTIAL
 This data sheet is the property of Rosenberger North America Akron, LLC. By acceptance of this document, you agree that all the rights to drawings, specifications, processes, and other data therein, as well as the proprietary and novel features of the subject matter, are reserved by Rosenberger North America Akron, LLC, and are disclosed in confidence. They are not to be manufactured, used, sold, or disclosed to others, nor are devices embodying such features or information derived from these disclosures to be used or disclosed unless and until expressly authorized by Rosenberger North America Akron, LLC. These drawings, specifications, processes, etc., are and remain the property of Rosenberger North America Akron, LLC, and are not to be copied or reproduced without permission.

FR-053
 RNA_Datasheet2_Rev A
 08/01/2022

Rosenberger North America Akron, LLC
 P.O. Box 309 Akron, PA USA 17501
www.rosenbergerna.com

Tel. : +1.717.859.8900
 Fax : +1.717.859.7044
 Email : info@rosenbergerna.com

Page
 3 / 5

Technical Data Sheet

Rosenberger

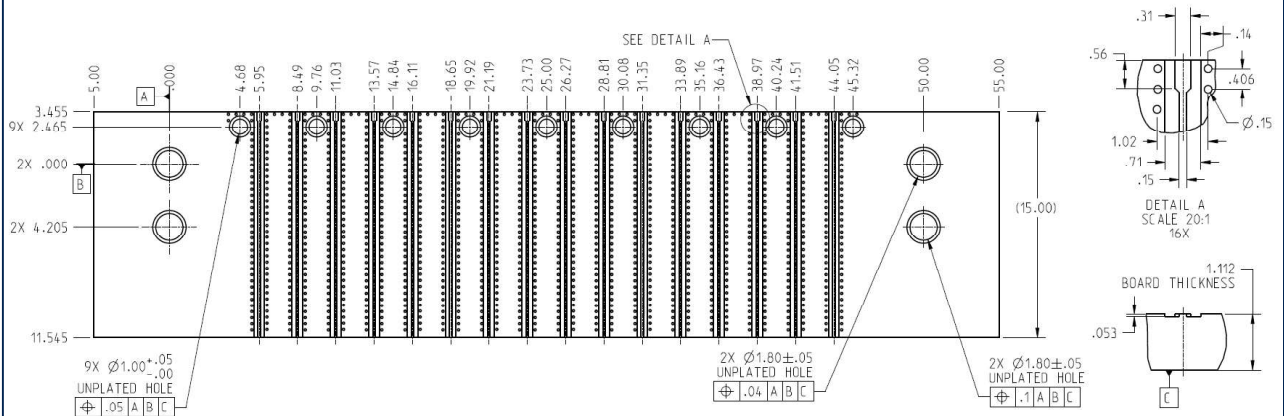
SMPX

Edge Launch Male
PCB Connector

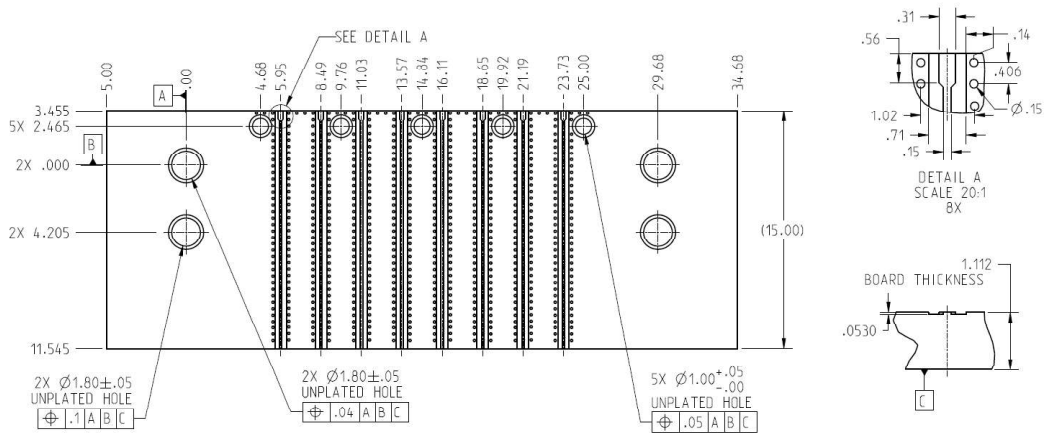
W2S201-40ML3-XX

PCB Footprint

W2S201-40ML3-16



W2S201-40ML3-08



PROPRIETARY AND CONFIDENTIAL
This data sheet is the property of Rosenberger North America Akron, LLC. By acceptance of this document, you agree that all the rights to drawings, specifications, processes, and other data therein, as well as the proprietary and novel features of the subject matter, are reserved by Rosenberger North America Akron, LLC, and are disclosed in confidence. They are not to be manufactured, used, sold, or disclosed to others, nor are devices embodying such features or information derived from these disclosures to be used or disclosed unless and until expressly authorized by Rosenberger North America Akron, LLC. These drawings, specifications, processes, etc., are and remain the property of Rosenberger North America Akron, LLC, and are not to be copied or reproduced without permission.

FR-053
RNA_Datasheet2 Rev A
08/01/2022

Rosenberger North America Akron, LLC
P.O. Box 309 Akron, PA USA 17501
www.rosenbergerna.com

Tel. : +1.717.859.8900
Fax : +1.717.859.7044
Email : info@rosenbergerna.com

Page
4 / 5

Technical Data Sheet

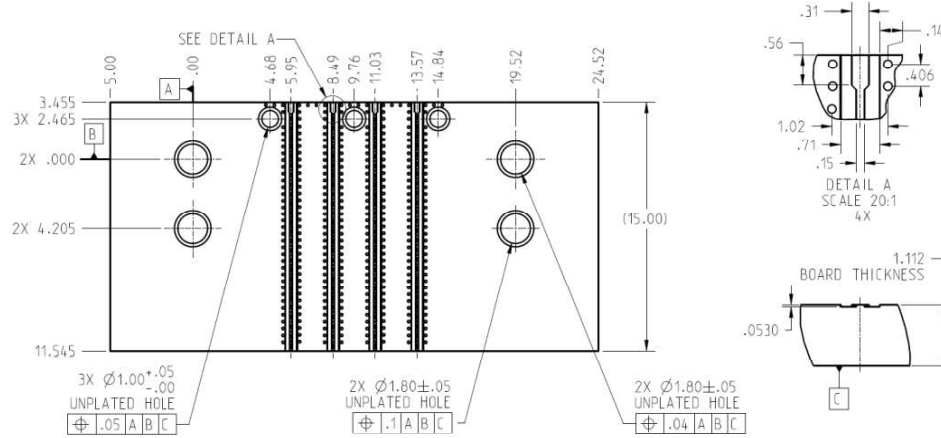
Rosenberger

SMPX

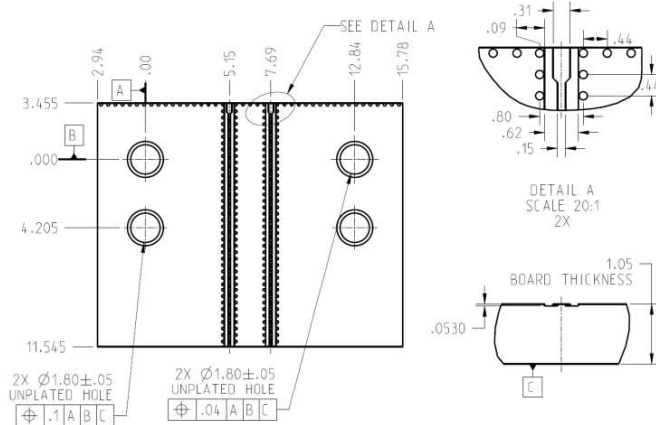
Edge Launch Male
PCB Connector

W2S201-40ML3-XX

W2S201-40ML3-04



W2S201-40ML3-02



PROPRIETARY AND CONFIDENTIAL
 This data sheet is the property of Rosenberger North America Akron, LLC. By acceptance of this document, you agree that all the rights to drawings, specifications, processes, and other data therein, as well as the proprietary and novel features of the subject matter, are reserved by Rosenberger North America Akron, LLC, and are disclosed in confidence. They are not to be manufactured, used, sold, or disclosed to others, nor are devices embodying such features or information derived from these disclosures to be used or disclosed unless and until expressly authorized by Rosenberger North America Akron, LLC. These drawings, specifications, processes, etc., are and remain the property of Rosenberger North America Akron, LLC, and are not to be copied or reproduced without permission.

FR-053
 RNA Datasheet2 Rev A
 08/01/2022

Draft	Date	Approved	Date	Rev.	Engineering change number	Name	Date
L. Weber	9/14/2023	E. Soubh	10/11/2023	201	Updated to SMPX	D.Hoeschen	10/28/2024
Rosenberger North America Akron, LLC P.O. Box 309 Akron, PA USA 17501 www.rosenbergerna.com				Tel. : +1.717.859.8900 Fax : +1.717.859.7044 Email : info@rosenbergerna.com			Page 5 / 5

Mouser Electronics

Authorized Distributor

Click to View Pricing, Inventory, Delivery & Lifecycle Information:

[Rosenberger:](#)

[W2S201-40ML3-2](#) [W2S201-40ML3-16](#) [W2S201-40ML3-4](#) [W2S201-40ML3-8](#)