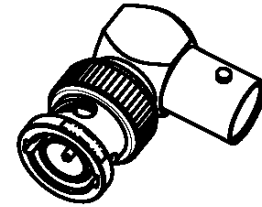
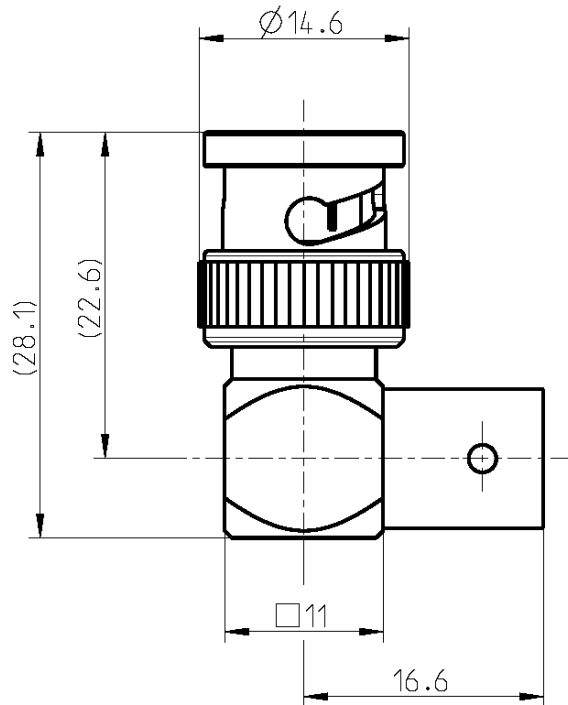


BNC 75 Ω

Adaptor
Plug – Jack

71S201-K00N5



All dimensions are in mm; tolerances according to ISO 2768 m-H

Interface

Compatible to IEC 61169-8, MIL-PRF-39012, CECC 22120

Documents

N/A

Material and plating

Connector parts

Center contact plug side
Center contact jack side
Outer contact
Body
Dielectric
Gasket

Material

Brass
CuBe
Brass
Brass
PTFE
NeopreneCR 50C6

Plating

AuroDur®, gold plated
AuroDur®, gold plated
Flash white bronze over silver(e.g. Optargen®)
Flash white bronze over silver(e.g. Optargen®)

Dieses Dokument ist urheberrechtlich geschützt • This document is protected by copyright • Rosenberger Hochfrequenztechnik GmbH & Co. KG

RFB00035/12.20/6.4

BNC 75 Ω

Adaptor
Plug – Jack

71S201-K00N5

Electrical data

Impedance 75 Ω
 Frequency DC to 4 GHz
 Return loss ≥ 18 dB, DC to 1 GHz
 ≥ 13 dB, 1 to 2 GHz
 Insertion loss ≤ 0.1 x √ f [GHz] dB
 Insulation resistance ≥ 5 GΩ
 Center contact resistance ≤ 1.5 mΩ
 Outer contact resistance ≤ 1 mΩ
 Test voltage (at sea level) 1500 V rms
 Working voltage (at sea level) 400 V rms
 Power handling (at 20 °C, sea level, VSWR 1.0) 80 W @ 2 GHz

Mechanical data

Mating cycles ≥ 500
 Center contact captivation: axial ≥ 15 N

Environmental data

Temperature range -65 °C to +165 °C
 Thermal shock MIL-STD-202, Method 107, Condition B
 Corrosion resistance MIL-STD-202, Method 101, Condition B
 Vibration MIL-STD-202, Method 204, Condition B
 Shock MIL-STD-202, Method 213, Condition G
 Moisture resistance MIL-STD-202, Method 106
 RoHS compliant

Tooling

N/A

Suitable cables

N/A

Weight

Weight 19.5 g/pce

While the information has been carefully compiled to the best of our knowledge, nothing is intended as representation or warranty on our part and no statement herein shall be construed as recommendation to infringe existing patents. In the effort to improve our products, we reserve the right to make changes judged to be necessary.

For the installation of the electrotechnical equipment, particular electrotechnical expertise is required.



Draft	Date	Approved	Date	Rev.	Engineering change number	Name	Date
Inge Mühlauer	03.08.04	Chr. Janßen	18.03.21	g00	20-1927	S. Huber-Siegl	18.03.21
Rosenberger Hochfrequenztechnik GmbH & Co. KG P.O.Box 1260 D-84526 Tittmoning Germany www.rosenberger.com				Tel. : +49 8684 18-0 Email : info@rosenberger.com			Page 2 / 2

Mouser Electronics

Authorized Distributor

Click to View Pricing, Inventory, Delivery & Lifecycle Information:

[Rosenberger:](#)

[71S201-K00N5](#)