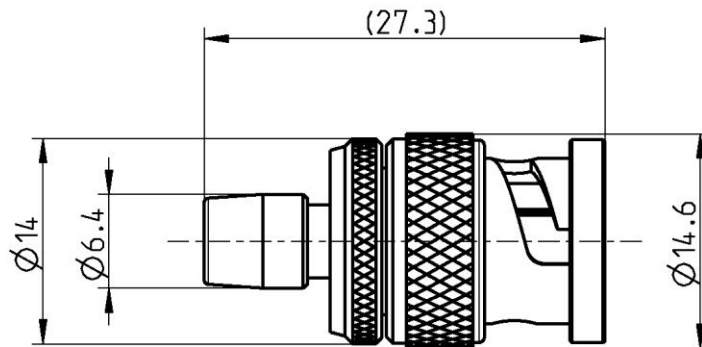


SMB  
BNC

Adaptor  
SMB Jack – BNC Plug

**59K151-S00L5**



All dimensions are in mm; tolerances according to ISO 2768 m-H

**Interface**

According to SMB side: IEC 60169-10, CECC 22130, MIL-PRF-39012  
BNC side: DIN EN 61169-8

**Documents**

N/A

**Material and plating**

**Connector parts**

Center contact  
Outer contact SMB side  
Outer contact BNC side  
Dielectric  
Gasket

**Material**

CuBe  
CuBe  
Brass  
PTFE  
NeopreneCR 50C6

**Plating**

AuroDur®, gold plated  
AuroDur®, gold plated  
Nickel, 2.5-5 µm

SMB  
BNC

Adaptor  
SMB Jack – BNC Plug

**59K151-S00L5**

**Electrical data**

Impedance 50 Ω  
 Frequency DC to 4 GHz  
 Return loss ≥ 33 dB, DC to 1 GHz  
 ≥ 29 dB, 1 to 4 GHz  
 Insertion loss ≤ 0.05 x √f(GHz) dB  
 Insulation resistance ≥ 1x10<sup>3</sup> MΩ  
 Center contact resistance ≤ 5 mΩ, SMB side ≤ 1.5 mΩ, BNC side  
 Outer contact resistance ≤ 2.5 mΩ, SMB side ≤ 1 mΩ, BNC side  
 Test voltage 750 V rms, 50 Hz, at sea level  
 Working voltage ≤ 250 V rms, 50 Hz, at sea level  
 Contact current 1.5 A DC typ.  
 RF-leakage ≥ 55 dB up to 1 GHz

**Mechanical data**

	SMB side	BNC side
Mating cycles	min. 500	min. 500
Center contact captivation: axial	≥ 10 N	≥ 10 N
Engagement force	≤ 63 N	N/A
Disengagement force	8 N min. to 63 N max.	N/A

**Environmental data**

Temperature range -55°C to +155°C  
 Thermal shock MIL-STD-202, Meth. 107, Cond. B  
 Vibration MIL-STD-202, Meth. 204, Cond. B  
 Corrosion MIL-STD-202, Meth. 101, Cond. B  
 Moisture resistance MIL-STD-202, Meth. 106  
 RoHS compliant

**Tooling**

N/A

**Suitable cables**

N/A

**Weight**

Weight 8.6 g/pce

While the information has been carefully compiled to the best of our knowledge, nothing is intended as representation or warranty on our part and no statement herein shall be construed as recommendation to infringe existing patents. In the effort to improve our products, we reserve the right to make changes judged to be necessary.

For the installation of the electrotechnical equipment, particular electrotechnical expertise is required.



Draft	Date	Approved	Date	Rev.	Engineering change number	Name	Date
Inge Mühlauer	14.12.04	Chr. Janßen	04.02.21	g00	20-1927	S. Huber-Siegl	04.02.21

Rosenberger Hochfrequenztechnik GmbH & Co. KG  
 P.O.Box 1260 D-84526 Tittmoning Germany  
[www.rosenberger.com](http://www.rosenberger.com)

Tel. : +49 8684 18-0  
 Email : [info@rosenberger.com](mailto:info@rosenberger.com)

Page  
2 / 2

# Mouser Electronics

Authorized Distributor

Click to View Pricing, Inventory, Delivery & Lifecycle Information:

[Rosenberger:](#)

[59K151-S00L5](#)