

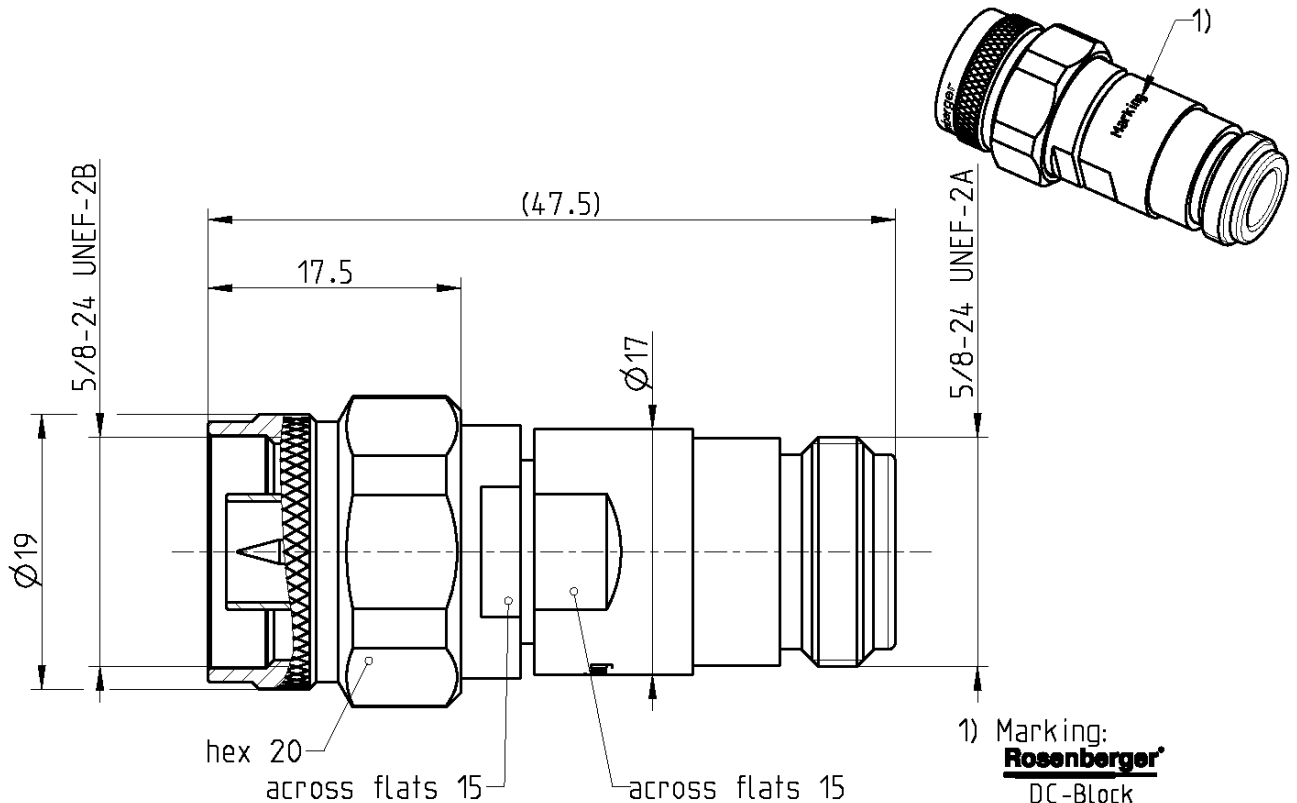
# Technical Data Sheet

# Rosenberger

RPC-N  
50 Ω

DC-Block  
plug - jack

05DS121-K00S3



1) Marking:  
**Rosenberger**  
DC-Block  
05DS121-K00  
3 MHz to 18 GHz

All dimensions are in mm; tolerances according to ISO 2768 m-H

## Interface

According to

IEC 61169-16

## Documents

N/A

## Material and plating

### Connector parts

Center contact  
Outer contact  
Coupling nut  
Dielectric

### Material

CuBe  
Stainless steel  
Stainless steel  
PPE

### Plating

Gold, min. 1.27 µm, over chemical nickel  
Passivated  
Passivated

# Technical Data Sheet

# Rosenberger

RPC-N  
50 Ω

DC-Block  
plug - jack

## 05DS121-K00S3

### Electrical data

Impedance	50 Ω
Frequency	3 MHz to 18 GHz
Return loss	≥ 25 dB, 3 MHz to 18 GHz
Insertion loss	≤ 0.5 dB, 3 MHz to 18 GHz
Insulation resistance	≥ 5 GΩ
Working voltage (at sea level)	50 Vdc max.
Capacity	9 nF
Block type	Center contact only

### Mechanical data

Mating cycles	≥ 500
Center contact captivation	≥ 28 N
Coupling test torque	1.70 Nm
Recommended torque	0.70 Nm to 1.10 Nm

### Environmental data

Temperature range	-40°C to +85°C
Thermal shock	IEC 61169-1, Subclause 9.4.4
Corrosion	IEC 61169-1, Subclause 9.4.6
Vibration	IEC 61169-1, Subclause 9.3.3
Shock	IEC 61169-1, Subclause 9.3.14
Moisture resistance	IEC 61169-1, Subclause 9.4.3
RoHS	compliant

### Tooling

N/A

### Suitable cables

N/A

### Weight

61.5 g/pce

While the information has been carefully compiled to the best of our knowledge, nothing is intended as representation or warranty on our part and no statement herein shall be construed as recommendation to infringe existing patents. In the effort to improve our products, we reserve the right to make changes judged to be necessary.

For the installation of the electrotechnical equipment, particular electrotechnical expertise is required.



Draft	Date	Approved	Date	Rev.	Engineering change number	Name	Date
H.Babinger	27.07.04	F.Reiner	16.02.23	e00	23-0276	T. Börgerding	16.02.23

Rosenberger Hochfrequenztechnik GmbH & Co. KG  
P.O.Box 1260 D-84526 Tittmoning Germany  
[www.rosenberger.com](http://www.rosenberger.com)

Tel. : +49 8684 18-0  
Email : [info@rosenberger.com](mailto:info@rosenberger.com)

Page  
2 / 2

# Mouser Electronics

Authorized Distributor

Click to View Pricing, Inventory, Delivery & Lifecycle Information:

[Rosenberger:](#)

[05DS121-K00S3](#)