

Photovoltaic Breakout Test Lead Set, MC4 to MC4 / 4 mm Sheathed Banana Plug

CT4504



Features:

- Test lead set for PV testing and maintenance
- IEC 61010-031 Safety rated
- MC4 breakout connection (MC4 / 4 mm sheathed plug)
- Double insulated PVC wire
- Contact material: BeCu, AuNi plated
- CE Mark
- RoHS 2 Compliant

Description:

The CT4504 is a set of MC4 breakout to MC4 extension with 4 mm sheathed banana plug leads. The breakout feature provides a safe and reliable method of measuring the operating voltage (V_{op}) and operating current (I_{op}) of solar panels. With Cal Test's new breakout leads, the user can easily insert a measurement instrument between photovoltaic modules. The double insulated PVC wire is both flexible and durable to enhance user convenience.

Obtain a convenient measurement solution by using this set of CT4488 and CT4489 test leads. The CT4489 comes standard with red test lead wire, and the CT4488 comes standard with black test lead wire for easy identification.

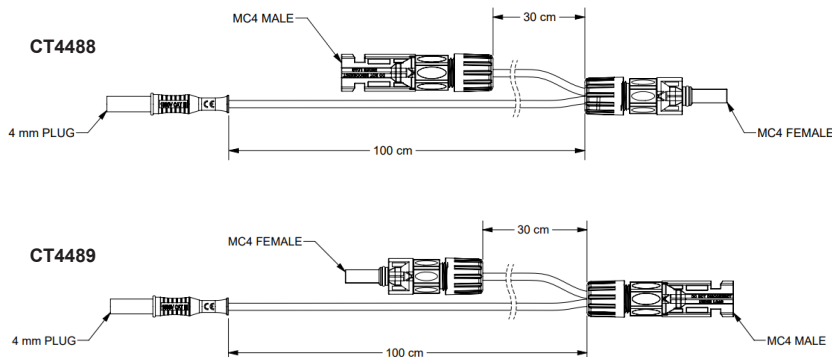
These new leads can be used with the CT4491, MC4 extension lead, whenever additional lead length is required. (Optional Accessory)

See page 2 for example connection configuration.

Available individually, as a pair, or in a kit. See Order Information on page 2.

For additional product information, cross-references, or other test accessory information, visit www.caltestelectronics.com.

Outline Drawing: (not to scale)

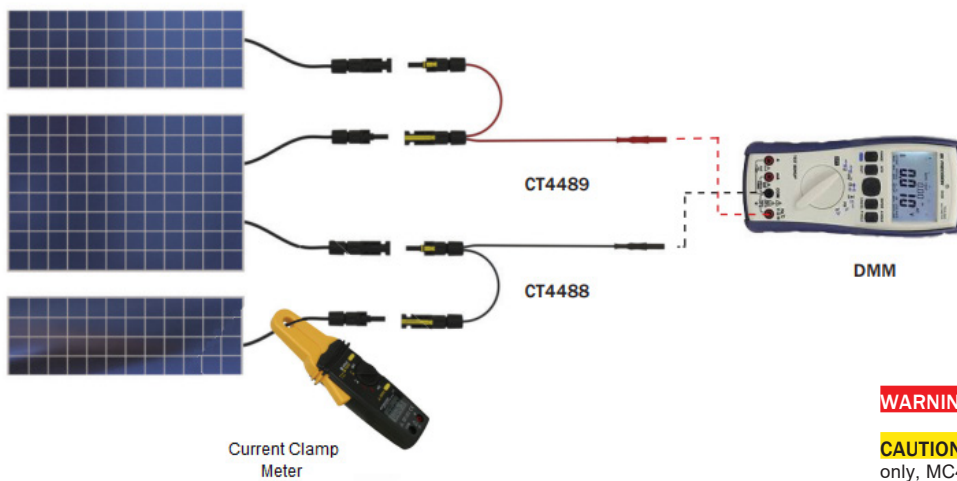


WARNING: Do not disconnect under load.

CAUTION: For test and measurement purposes only, MC4 female locking clips intentionally removed. Do not use as permanent installation.

Operating Voltage and Operating Current:

With CT4488 and CT4489, the operating voltage and operating current can both conveniently be measured with a single test set up.



Contact Info:

Phone: 714-221-9330

Fax: 714-921-9849

22820 Savi Ranch Pkwy.

Yorba Linda, CA 92887-4610 USA

www.caltestelectronics.com

WARNING: Do not disconnect under load.

CAUTION: For test and measurement purposes only, MC4 female locking clips intentionally removed. Do not use as permanent installation.

Ordering Information:

CT4504

Photovoltaic Test Lead Set

Includes:

CT4488-30-100-0 [MC4 Female Breakout MC4 Male (30 cm), 4 mm Sheathed Plug (100 cm), black]

CT4489-30-100-2 [MC4 Male Breakout MC4 Female (30 cm), 4 mm Sheathed Plug (100 cm), red]

CT4490

Photovoltaic Test Lead Kit

Includes;

CT4486-100-0 (MC4 Female to 4 mm Plug)

CT4487-100-2 (MC4 Male to 4 mm Plug)

CT4488-30-100-0 [MC4 Female Breakout MC4 Male (30 cm) / 4 mm Plug (100 cm)]

CT4489-30-100-2 [MC4 Male Breakout MC4 Female (30 cm) / 4 mm Plug (100 cm)]

CT4491-100-2 [MC4 Male to MC4 Female]

Copyright © Cal Test Electronics, Inc. All rights reserved. Information in this publication supersedes that in all previously published material. Trade names referenced are the service marks, trademarks or registered trademarks of their respective companies.

Mouser Electronics

Authorized Distributor

Click to View Pricing, Inventory, Delivery & Lifecycle Information:

[Cal Test Electronics:](#)

[CT4504](#)