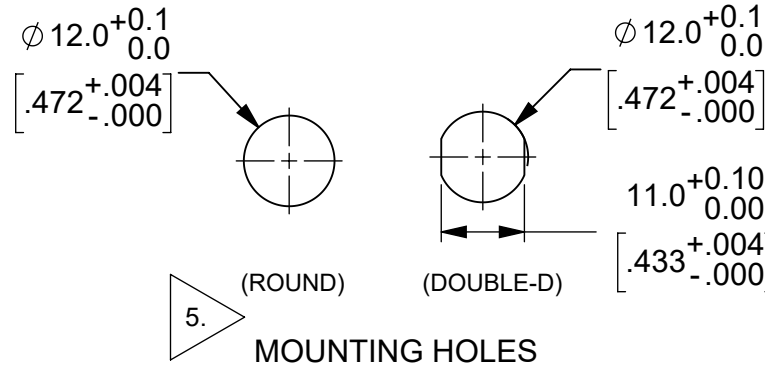


THIS IS ISSUED IN STRICT CONFIDENCE THAT IT IS NOT USED AS A BASIS FOR MANUFACTURE OR SALE AND THAT IT IS NOT COPIED, REPRINTED OR DISCLOSED TO A THIRD PARTY EITHER WHOLLY OR IN PART WITHOUT THE PRIOR WRITTEN CONSENT OF CAL TEST ELECTRONICS, INC.

NOTES:

- 4 mm SHEATHED (SAFETY) JACK, PANEL MOUNT.
- ACCEPTS 4 mm SHEATHED BANANA PLUGS PER IEC 61010-031 ANNEX E.
- SPECIFICATIONS:
 - INSULATOR: POLYAMIDE PA66 (NYLON):
 - BASF ULTRAMID, A3K R01, V-2, UL QMFZ2.
 - DELETED-
 - CONTACT: BRASS, COPPER ALLOY C36000, 1/2H, NICKEL PLATED, 1-3 MICROMETERS.
- RATING:
 - VOLTAGE: 1,000 V CAT III, P2.
 - CURRENT: DEPENDANT ON TERMINAL CONFIGURATION:
 - 01, 02, 05 THRU 08: 36 A MAX.
 - 03, 04: 25 A MAX.
 - RESISTANCE: <5 mΩ
 - TEMPERATURE: -20°C TO +65°C MAX.

- MOUNTING HOLES: EITHER ROUND OR DOUBLE-D DEPENDING ON AVAILABLE TOOLING.
- NOT ALL COLOR WILL BE AVAILABLE AS STANDARD. PLEASE REVIEW CTE WEBSITE.
- MAXIMUM PANEL THICKNESS: 10 mm (0.4").
- SUPPLIED WITH ROUND PANEL NUT CT2830. MAX TORQUE 2.3 Nm (1.7 ft-lb).
- RECOMMENDED ASSEMBLY TOOL, CT2246.
- MODEL CT4397-XX-#, UL RECOGNIZED COMPONENT, CCN PICQ2, PICQ8 FILE NUMBER TBD.
- MODELS ARE RoHS 2+ COMPLIANT.
- STANDARDS: UL 61010-1 EDITION 3, REVISION DATE 06/06/2023; UL 61010-2-030 EDITION 2, REVISION DATE 05/24/2023; CAN/CSA-C22.2 NO. 61010-1-12, EDITION 3, REVISION DATE 06/2023; AND CSA C22.2 NO 61010-2-030, EDITION 2, ISSUE DATE 12/2018.
- CONTACT/TERMINAL RETENTION FORCE, 310 N [70 LBF] MINIMUM.



(NOTES CON'T:) D

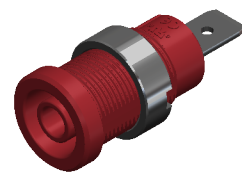
- PRODUCT CONFIGURATIONS 02 AND 08, QUICK-CONNECT BLADES 90° TO INSULATOR BODY'S DOUBLE-D MOUNTING FLATS. SEE SHEET 3 OF 3.
- MODEL CT4397-XX-#, UL RECOGNIZED COMPONENT:
 - FILE NUMBER: E315929:
 - PICQ2, UL 61010-1:2023.
 - PICQ8, CSA C22.2 NO. 61010-1-12:2023.



REVISIONS			
REV.	DESCRIPTION	DATE	APPROVED
A	INITIAL PRODUCT RELEASE	11/16/2023	B. Hansen
B	ADDED NOTE 13, CONTACT RETENTION SPECIFICATION; REVISED NOTE 12. STANDARDS, IEC 61010-031 REMOVED.	1/17/2024	B. Hansen
C	CORRECTIONS: NOTE 3, SPECIFICATIONS, DELETED MATERIAL TEKNOR APEX CHEMLON 104 H, HB.; NOTE 4, RATING, WAS 04, 05: 25 A MAX.	4/23/2024	B. Hansen
D	REVISED NOTE 12, WAS ...UL 61010-1 EDITION 3, (2010-06)+AMD1 (2016-12); CSA-C22 NO. 61010 EDITION 3; IEC 61010-2-030 EDITION 3 (2023); ADDED NOTE 14 AND 15, ORIENTATION OF QUICK-CONNECT CONTACT/TERMINAL AND PRODUCT UL RECOGNIZED COMPONENT.	8/8/2024	B. Hansen

MODEL NUMBER
CT4397 - XX - #

6. COLOR:
- 0 - BLACK
 - 1 - BROWN
 - 2 - RED
 - 3 - ORANGE
 - 4 - YELLOW
 - 5 - GREEN
 - 6 - BLUE
 - 7 - VIOLET (PURPLE)
 - 8 - GREY
 - 9 - WHITE
- CONFIGURATION:
- 01 - M4x0.5 THREADED STUD
 - 02 - 6.4 mm (.25") QUICK-CONNECT
 - 03 - 2 mm (.080") SOLDER HOLE
 - 04 - 2 mm (.080") SOLDER HOLE / SLOT
 - 05 - 1.9 mm x 12 mm SHORT PIN
 - 06 - 1.9 mm x 21 mm LONG PIN
 - 07 - M3 THREADED HOLE
 - 08 - 4.8 mm (.188") QUICK-CONNECT



ISOMETRIC VIEW
SCALE 1:1

THIRD ANGLE PROJECTION 	UNLESS OTHERWISE SPECIFIED DIMENSIONS ARE IN MILLIMETERS TOLERANCES ARE: X.X = ±0.5 X.X* = ±0.5* X.XX = ±0.25 X.XXX = ±0.125 DO NOT SCALE DRAWING	PROJECT NO. C349	METRIC	Cal Test ELECTRONICS	22820 Savi Ranch Prky. Yorba Linda, CA 92887 USA
	MATERIAL SEE NOTES	APPROVALS DRAWN: WDH CHECKER: GG ENGR: B. HANSEN DESIGN ACTIVITY: ENGINEERING	DATE 11/8/2023 4/23/2024 4/12/2022	TITLE 4mm SHEATHED JACK, PANEL MOUNT, ULR	
REFERENCE	TREATMENT NONE	SIZE B	CAGE CODE 43F45	DWG. NO. CT4397	REV. D
FINISH SEE NOTES	SCALE 1:1	SHEET 1 OF 3			

4

3

2

1

D

D

C

C

B

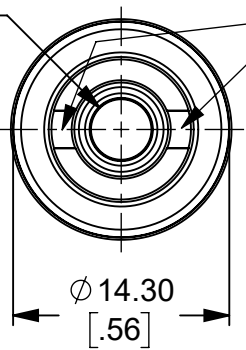
B

A

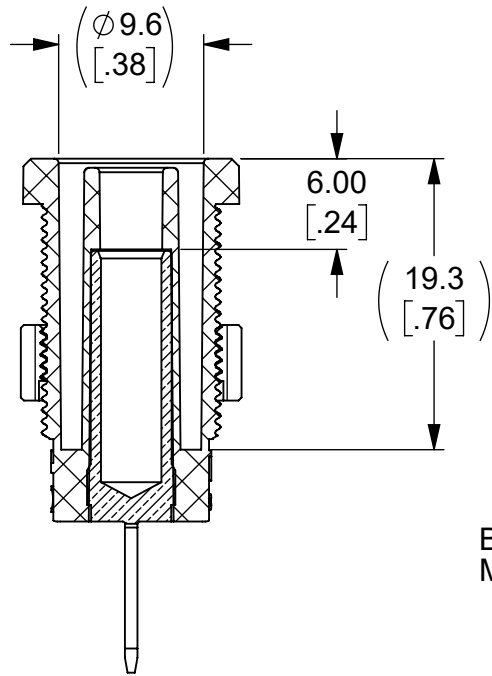
A

$\phi 4.00^{+0.05}_{0.00}$
 $[\ .157^{+.002}_{-.000}]$
 JACK

9. ASSEMBLY TOOL INTERNAL
 LOCKING DETENTS

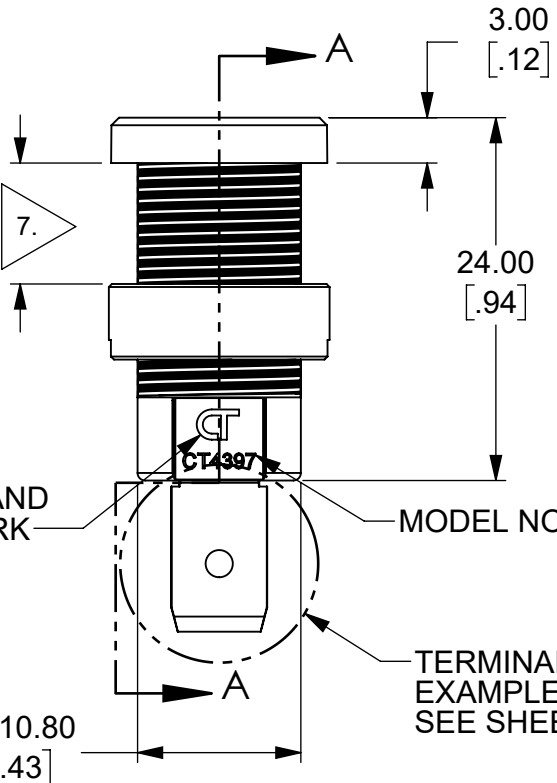


$\phi 14.30$
 $[.56]$



SECTION A-A

$(\phi 9.6)$
 $[.38]$
 6.00
 $[.24]$
 19.3
 $[.76]$



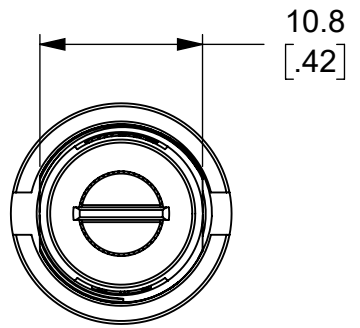
7. BRAND MARK

CT4397

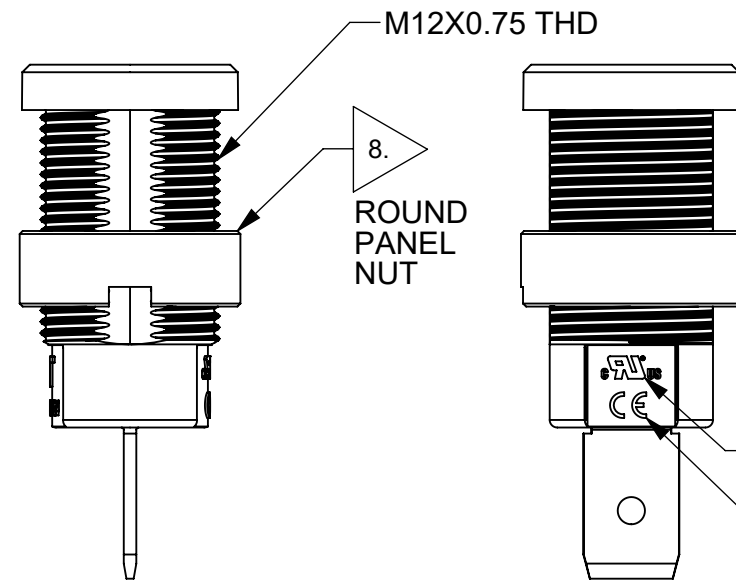
MODEL NO. MARK

TERMINAL
 EXAMPLE -02
 SEE SHEET 3 OF 3

$\phi 10.80$
 $[.43]$



10.8
 $[.42]$



M12X0.75 THD

8. ROUND
 PANEL
 NUT

UL RECOGNITION
 LOGO

CE MARK

METRIC	APPROVALS		DATE	SIZE	CAGE CODE	DWG. NO.	REV.
	DRAWN	WDH	11/8/2023	B	43F45	CT4397	D
	CHECKER	GG	4/23/2024	SCALE	2:1	SHEET 2 OF 3	

4

3

2

1

4

3

2

1

TERMINAL CONFIGURATIONS

D

D

C

C

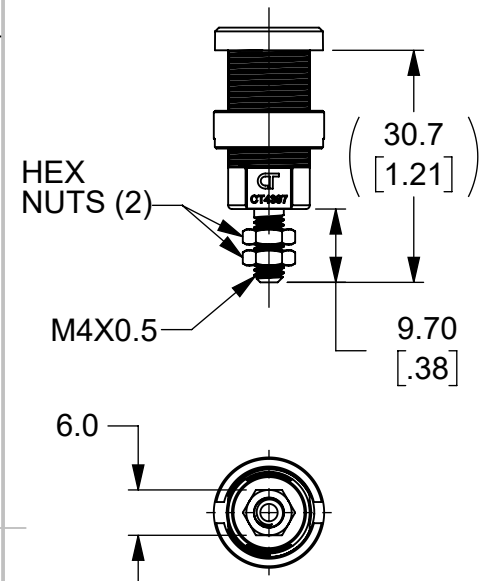
B

B

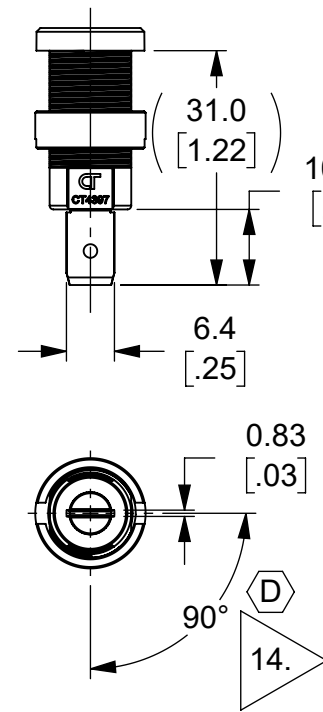
A

A

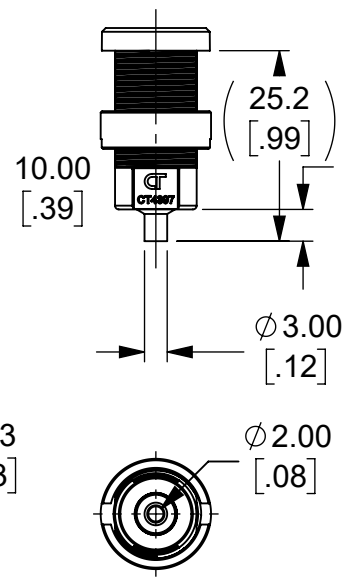
-01
M4x0.5 THREADED
STUD



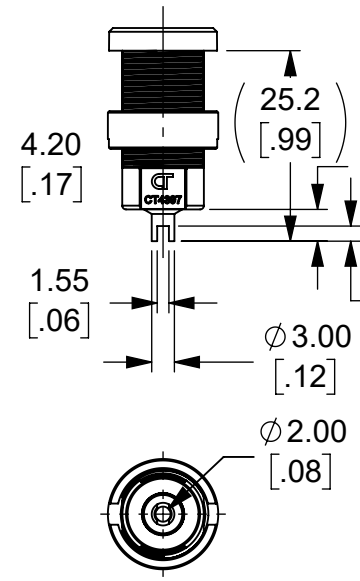
-02
6.4 mm (.25")
QUICK-CONNECT



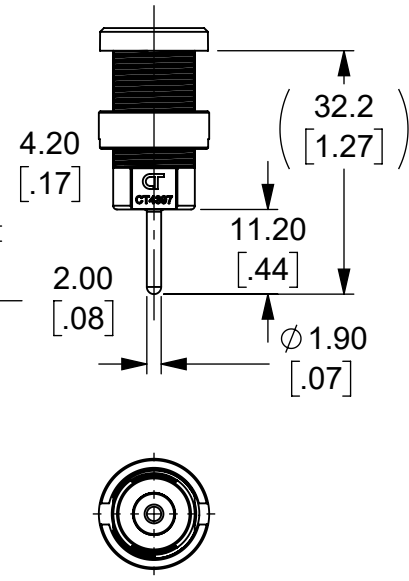
-03
2 mm (.080")
SOLDER HOLE



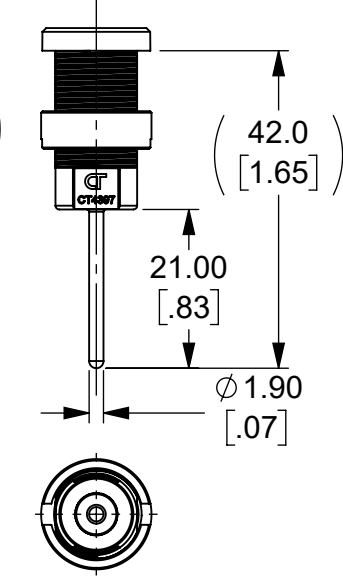
-04
2 mm (.080")
SOLDER HOLE / SLOT



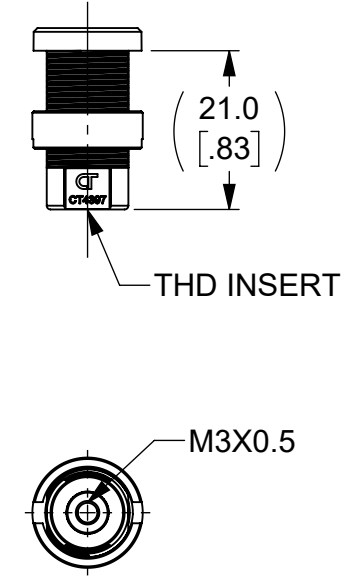
-05
1.9 mm x 12 mm
SHORT PIN



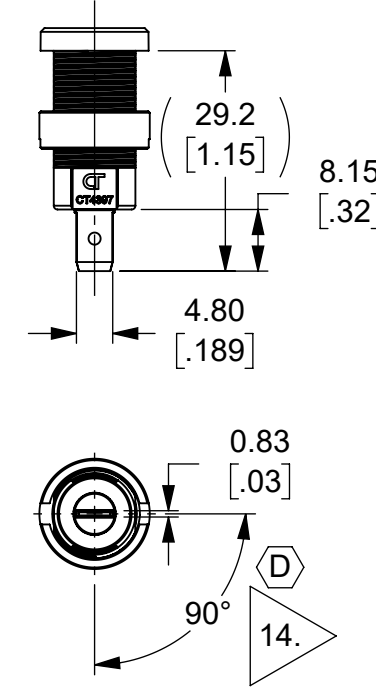
-06
1.9 mm x 21 mm
LONG PIN



-07
M3 THREADED
HOLE



-08
4.8 mm (.188")
QUICK-CONNECT



METRIC	APPROVALS		DATE	SIZE	CAGE CODE	DWG. NO.	REV.
	DRAWN	WDH	11/8/2023	B	43F45	CT4397	D
	CHECKER	GG	4/23/2024	SCALE	1:1	SHEET	3 OF 3

4

3

2

1

Mouser Electronics

Authorized Distributor

Click to View Pricing, Inventory, Delivery & Lifecycle Information:

[Cal Test Electronics:](#)

[CT4397-06-5](#) [CT4397-04-6](#) [CT4397-03-1](#) [CT4397-01-2](#) [CT4397-05-6](#) [CT4397-02-1](#) [CT4397-03-8](#) [CT4397-03-9](#)
[CT4397-01-0](#) [CT4397-02-4](#) [CT4397-04-2](#) [CT4397-06-7](#) [CT4397-08-5](#) [CT4397-01-7](#) [CT4397-03-5](#) [CT4397-06-0](#)
[CT4397-07-4](#) [CT4397-02-9](#) [CT4397-04-8](#) [CT4397-02-0](#) [CT4397-05-3](#) [CT4397-08-9](#) [CT4397-07-6](#) [CT4397-02-6](#)
[CT4397-03-3](#) [CT4397-05-1](#) [CT4397-01-9](#) [CT4397-01-8](#) [CT4397-05-2](#) [CT4397-05-9](#) [CT4397-08-2](#) [CT4397-07-0](#)
[CT4397-07-1](#) [CT4397-08-8](#) [CT4397-03-2](#) [CT4397-06-8](#) [CT4397-06-2](#) [CT4397-08-1](#) [CT4397-02-3](#) [CT4397-03-6](#)
[CT4397-03-7](#) [CT4397-04-0](#) [CT4397-05-4](#) [CT4397-07-2](#) [CT4397-07-3](#) [CT4397-01-1](#) [CT4397-02-8](#) [CT4397-03-0](#)
[CT4397-04-7](#) [CT4397-01-4](#) [CT4397-06-3](#) [CT4397-07-8](#) [CT4397-08-0](#) [CT4397-04-4](#) [CT4397-02-2](#) [CT4397-05-5](#)
[CT4397-08-7](#) [CT4397-07-7](#) [CT4397-01-6](#) [CT4397-02-7](#) [CT4397-05-0](#) [CT4397-08-4](#) [CT4397-08-6](#) [CT4397-04-5](#)
[CT4397-06-4](#) [CT4397-07-9](#) [CT4397-01-3](#) [CT4397-01-5](#) [CT4397-05-8](#) [CT4397-06-9](#) [CT4397-08-3](#) [CT4397-04-3](#)
[CT4397-06-6](#) [CT4397-07-5](#) [CT4397-03-4](#) [CT4397-04-1](#) [CT4397-05-7](#) [CT4397-06-1](#) [CT4397-02-5](#) [CT4397-04-9](#)