

# 39 kV High-Voltage Oscilloscope Probe

## CT4028A



### Features:

- Up to 39 kV (DC + AC Peak)
- 50 MHz Bandwidth
- Improved usage time at high voltage
- Compensation range of 10 pF - 35 pF
- Insulated BNC connection
- Full accessory offering
- Hard-shell carrying case
- DMM compatible with optional BNC Converter, CT3197B
- RoHS and REACH Compliant
- Two-year warranty

### Description:

Cal Test Electronics' improved CT4028A High-Voltage Oscilloscope Probe enables one to safely measure voltages up to 39 kV DC or 27 kV ACrms - now with a longer operating cycle. With new input circuitry, the probe can measure voltage above 30 kV for up to 30 minutes before recommend removal. The original operating cycle was only 1 minute.

The CT4028A features 1000x attenuation, a bandwidth up to 50 MHz, plus features a full range of contact tips and ground connection alligator clips.

With a compensation range of 10 pF to 35 pF, the probe is compatible with 1 M $\Omega$  input oscilloscopes from all major manufacturers. Using the optional CT3197B Impedance Converter, the probe is DMM compatible.

The CT4028A is now covered by a two-year warranty, and is fully RoHS 2 and REACH compliant.

For additional product information, cross-references, or other test accessory information, visit [www.caltestelectronics.com](http://www.caltestelectronics.com).

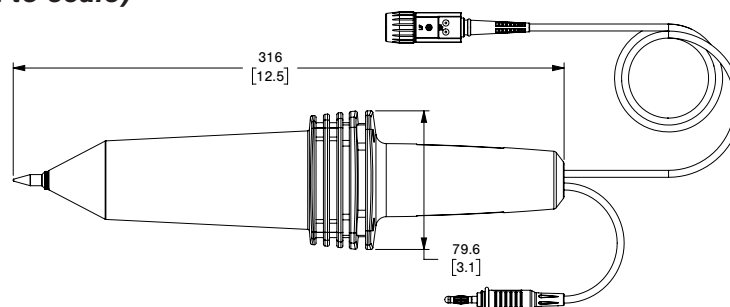
### WARNING

As with all high-voltage test accessories, please read and follow all recommended safety instructions.

### Specifications:

- See page 2

### Outline Drawing: (not to scale)



## Ordering Information:

### CT4028A

39 kV High-Voltage Oscilloscope Probe

Order Example:

CT4028A

## Contact Info:

Phone: 714-221-9330

Fax: 714-921-9849

22820 Savi Ranch Pkwy.

Yorba Linda, CA 92887-4610 USA

www.caltestelectronics.com

## Specifications:

Parameter	Characteristic
Maximum Input Voltage	39 kV (DC + AC Peak) 27 kV (ACrms)
Maximum Loading Current	45 $\mu$ A
Attenuation	1000x
Bandwidth	DC to 50 MHz (-3dB)
Rise Time	$\leq$ 7 ns
Input Resistance	900 M $\Omega$
Input Capacitance	2.0 pF
Signal/Noise	> 60 dB @ 1 kHz > 50 dB @ 1 MHz
Accuracy	$\leq$ 3% (0 to 35 kV) DC $\leq$ 3% @ 1 kHz AC
Temperature Coefficient	$\leq$ 200 ppm/ $^{\circ}$ C
Compensation Range	10 pF to 35 pF
BNC Cable Length	2 m (6.6 ft)
Operating Temperature	0 $^{\circ}$ C to 50 $^{\circ}$ C (32 $^{\circ}$ F to 122 $^{\circ}$ F)
Storage Temperature	-20 $^{\circ}$ C to 70 $^{\circ}$ C (-4 $^{\circ}$ F to 158 $^{\circ}$ F)
Humidity	$\leq$ 80% RH @ 40 $^{\circ}$ C (104 $^{\circ}$ F)
Weight	1.0 lb (460 g)

## Supplied Accessories:

Accessory	Model No.
Round Tip	CT2960A
Hook Tip	CT2961A
Bar Tip & Nut	CT2962A
Trimmer Tool	CT4212
Alligator Ground Clip, Black	CT4108-0
Alligator Ground Clip Lead, 1 m	CT4494-85
High-Voltage Isolation Head (for use a $\geq$ 25 kV)	CT4107

Copyright © Cal Test Electronics, Inc. All rights reserved. Information in this publication supersedes that in all previously published material. Trade names referenced are the service marks, trademarks or registered trademarks of their respective companies.

# Mouser Electronics

Authorized Distributor

Click to View Pricing, Inventory, Delivery & Lifecycle Information:

[Cal Test Electronics:](#)

[CT4028A](#)