

RX72T CPU Card

R12UZ0031EJ0100

Rev.1.00

User's Manual

Feb. 21, 2019

For Your Safety




Do not fail to read this manual before using the RX72T CPU card (RTK0EMX990C00000BJ) (the product).

- Follow the indications in this manual when using the product.
- This product is the option board of "24V Motor Control Evaluation System for RX23T (RTK0EM0006S01212BJ)". Please read "Warnings Regarding Use of the Product" of the 24V Motor Control Evaluation System for RX23T User's Manual, and use this product.
- Keep this manual near the product so you can refer to it whenever necessary.
- Transfer or sale of the product to third parties is prohibited without written approval.
- The purchaser or importer of the product is responsible for ensuring compliance with local regulations. In addition, the customer is responsible for ensuring that the product is handled correctly and safely, in accordance with the laws of the customer's country (region).
- All information contained in this manual represents information on products at the time of publication of this manual. Please note that the product data, specification, sales offices, contents of website, address, etc., are subject to change by Renesas Electronics Corporation without notice due to product improvements or other reasons. Please confirm the latest information on Renesas Electronics website.
- The manual for the product, and specification (the documents) are the tool that was developed for the function and performance evaluation of Renesas Electronics semiconductor device (Renesas Electronics device) mounted on the product, and not guarantee the same quality, function and performance.
- By purchasing the product or downloading the documents from Renesas Electronics website, the support services provided from Renesas Electronics is not guaranteed.

Meaning of Notations

In this manual items related to the safe use of the product are indicated as described below.

The degree of injury to persons or damage to property that could result if the designated content in this manual is not followed is indicated as follows.

 Danger	Indicates content that, if not followed, could result in death or serious injury*1 to the user, and which is highly urgent.
 Warning	Indicates content that, if not followed, could result in death or serious injury to the user.
 Caution	Indicates content that, if not followed, could result in injury*2 to persons or physical damage.*3

Note 1. Serious injury refers to conditions resulting in persistent after-effects and for which treatment would necessitate hospitalization or regular hospital visits, such as loss or impairment of eyesight, burns (high- or low-temperature), electric shock, bone fracture, or poisoning.

Note 2. Injury refers to conditions for which treatment would necessitate hospitalization or regular hospital visits.

Note 3. Physical damage refers to damage affecting the wider surroundings, such as the user's home or property.

Requirements related to the handling of the product are classified into the following categories.

- Marks indicating that an action is prohibited.

	<p>General Prohibition The indicated action is prohibited.</p>		<p>Example: Do Not Touch! Touching the specified location could result in injury.</p>
--	---	--	--

- Marks indicating that an action is prohibited.

	<p>General Caution Indicates a general need for caution that is not specified.</p>		<p>Example: Caution – Hot! Indicates the possibility of injury due to high temperature.</p>
--	---	--	--

- Marks directing that the specified action is required.







	<p>General Instruction The specified action is required.</p>		<p>Example: Turn Off (Disconnect) Power Supply! Instructs the user to turn off (disconnect) the power supply to the product.</p>
--	---	--	---

Warnings Regarding Use of the Product





■ Danger Items

Danger	
	<ul style="list-style-type: none"> • The product should be used only by persons (users) having a thorough knowledge of electrical and mechanical components and systems, a full knowledge of the risks associated with handling them, and training in inverter motor control and handling motors, or equivalent skills. Users should be limited to persons who have carefully read the Caution Items contained in this manual. • Unlike typical equipment, the product has no protective case to ensure safety, and it contains moving parts and high-temperature components that could be dangerous. Do not touch the evaluation board or cables while power is being supplied. • Carefully check to make sure that there are no pieces of conductive materials or dust adhering to the board, connectors, and cables. • There are moving parts, driven by a motor. Do not touch the motor while power is being supplied. • Ensure that the motor is insulated and placed in a stable location before supplying power.
	<p>Do Not Connect Load to Motor!</p> <ul style="list-style-type: none"> • This could cause fire, burns, or injury.

■ Warning Items

 Warning	
	<p>Caution – Rotating Parts!</p> <ul style="list-style-type: none"> The system includes a motor. Touching the rotating shaft could cause high-temperature burns or injury.
	<p>Always insert plugs, connectors, and cables securely, and confirm that they are fully inserted.</p> <ul style="list-style-type: none"> Incomplete connections could cause fire, burns, electric shock, or injury.
	<p>Use the power supply apparatus specified in the manual.</p> <ul style="list-style-type: none"> Failure to do so could cause fire, burns, electric shock, injury, or malfunction.
	<p>Disconnect the power supply and unplug all cables when the system will not be used for a period of time or when moving the system.</p> <ul style="list-style-type: none"> Failure to do so could cause fire, burns, electric shock, or malfunction. This will protect the system against damage due to lightning.
	<p>Use a mechanism (switch, outlet, etc.) located within reach to turn off (disconnect) the power supply.</p> <ul style="list-style-type: none"> In case of emergency, it may be necessary to cut off the power supply quickly.
	<p>Turn off the power supply immediately if you notice abnormal odor, smoke, abnormal sound, or overheating.</p> <ul style="list-style-type: none"> Continuing to use the system in an abnormal condition could cause fire, burns, or electric shock.
	<p>Do Not Disassemble, Modify, or Repair!</p> <ul style="list-style-type: none"> Doing so could cause fire, burns, electric shock, injury, or malfunction.
	<p>Do not use the product for any purpose other than initial evaluation of motor control in a testing room or lab. Do not integrate the product or any part of it into other equipment. Do not insert or remove cables or connectors when the product is powered on.</p> <ul style="list-style-type: none"> The product has no safety case. Failure to observe the above could cause fire, electric shock, burns, or malfunction. The product may not perform as expected if used for other than its intended purpose.

■ Caution Items

 Caution	
	<p>Caution – Hot!</p> <ul style="list-style-type: none"> The motor gets hot. Touching it could cause high-temperature burns.
	<p>Follow the procedure specified in the manual when powering the system on or off.</p> <ul style="list-style-type: none"> Failure to do so could cause overheating or malfunction.
	<p>Caution – Static Electricity</p> <ul style="list-style-type: none"> Use the antistatic band. Failure to do so could cause malfunction or unstable motion.

Overview

The RX72T CPU card (RTK0EMX990C00000BJ) is an optional board for use with the 24V Motor Control Evaluation System for RX23T (RTK0EM0006S01212BJ) (the Motor RSSK). The Motor RSSK comprises a 24V system inverter board (RTK0EM0001B00012BJ) (the INV-BRD) and a RX23T CPU card (RTK0EM0013C01201BJ) (the RX23T-CRD). By replacing the RX23T-CRD with the product, motor evaluation can be performed using the RX72T.

An emulator and equipment related to the Motor RSSK must be provided by the customer.

This user's manual describes the proper handling of the product. Content related to the product is presented in chapters 0 to 4 and 6 to 8. Content related to connection of the INV-BRD supplied with the Motor RSSK is presented in chapter 5. For details of the operation of the INV-BRD, refer to the Motor RSSK user's manual (R20UT3697EJ).

Target Device

RX72T microcontroller

Related Documents

- RX72T CPU Card Schematic : R12TU0057EJ
- RX72T CPU Card BOM List : R12TU0058EJ
- RX72T CPU Card PWB Pattern Drawing : R12TU0059EJ
- Renesas Solution Starter Kit
24V Motor Control Evaluation System for RX23T (Motor RSSK) User's Manual: R20UT3697EJ

Package Contents

- RX72T CPU Card Information
- Caution regarding the Motor Control Evaluation Board – RX72T CPU Card -

Abbreviations

Abbreviations	Full Name	Remarks
Motor RSSK	24V Motor Control Evaluation System for RX23T	Motor control evaluation kit for RX23T Product No.: RTK0EM0006S01212BJ
INV-BRD	24V Inverter Board	Inverter board supplied with motor control evaluation kit for RX23T Product No.: RTK0EM0001B00012BJ
RX23T-CRD	RX23T CPU Card	RX23T CPU card supplied with motor control evaluation kit for RX23T Product No.: RTK0EM0013C01201BJ
E1	E1 emulator	on-chip debugging emulator and flash programmer Product No.: R0E000010KCE00
E2 Lite	E2 emulator Lite	on-chip debugging emulator and flash programmer Product No.: RTE0T0002LKCE00000R

Contents

1. Features	6
2. Specifications	7
2.1 Specification	7
2.2 Regulatory Compliance Notices	8
2.2.1 European Union regulatory notices	8
3. Block Diagram	9
4. Layout	10
5. Usage	11
5.1 Quick Start	11
5.1.1 Preparation	11
5.1.2 Replacing the CPU card	11
5.1.3 Preparation for Operation Test	11
5.1.4 Operation Test	11
5.1.5 Finishing the Operation Test	11
5.2 Operation	12
5.2.1 Basic Operation	12
5.2.2 Canceling an Error State	12
5.3 In Case of Abnormal Odor, Smoke, Abnormal Sound, Overheating, Etc.	12
6. Functions	13
6.1 Power Supply	13
6.2 Connecting the Emulator	13
6.3 Connecting the Inverter Board	14
6.4 Connecting the Serial Communication	15
6.5 Hall Sensor Signal Input	15
6.6 Encoder Signal Input	16
6.7 Connecting the Extender Board	17
6.8 Extension of Unused Pins	19
6.9 Reset Circuit	20
6.10 Crystal Resonator	20
6.11 LEDs	20
6.12 JP1, JP2	20
7. Details of RX72T CPU Card	21
7.1 RX72T Features	21
7.2 RX72T Pin Assignments	22
7.3 List of RX72T Pin Functions	23
8. Caution Items	28


1. Features

1. Populated with RX72T 32-bit microcontroller suitable for inverter control.
2. CPU card designed specifically for use with INV-BRD supplied with Motor RSK.
3. Supports writing of software to flash memory using the E1 or E2 Lite.
4. Equipped with Hall sensor input connector and encoder input connector.
5. Equipped with serial communication connector.

2. Specifications

2.1 Specification

Table 2-1 Overview of RX72T CPU Card Specifications

Item	Specification	
Product name	RX72T CPU card	
Board product No.	RTK0EMX990C00000BJ	
Supported inverter board / product No.	Supplied with 24V Motor Control Evaluation System for RX23T 24V Inverter Board / RTK0EM0001B00012BJ	
Exterior view		
Note: Appearance of actual product may differ from photo.		
MCU	Product group	RX72T group
	Product No.	R5F572TKCDFB
	CPU max. operating frequency	200 MHz
	Bit count	32 bits
	Package / Pin count	LFQFP / 144 pins
	ROM	1MB
	RAM	128KB
MCU input clock	10MHz	
Input power supply voltage	DC 5 V ($\pm 5\%$) *1 Selectable among the following: <ul style="list-style-type: none"> • Power supply from supported inverter board • Power supply from E1, E2 Lite *2 	
Supported sensors	Hall sensor, encoder (through holes provided for signal monitoring test pins)	
Supported emulator	E1, E2 Lite	
Connectors	<ul style="list-style-type: none"> • Inverter board connectors x 2 • Extender board connector x 2 (Unmounted) • SCI communication connectors x 3 (Two of them are unmounted) • CAN communication connector (Shared with SCI connector, unmounted) • Emulator connector • Hall sensor signal input connector • Encoder signal input connector 	
Switch	MCU external reset switch	
LEDs	User control LEDs x 2	
Operating temperature	Room temperature	
Operating humidity	No condensation	

Note 1. Supply voltage is DC 3.3V from E2 Lite.

Note 2. Power supply from E1 or E2 Lite is not supported when INV-BRD is connected.

2.2 Regulatory Compliance Notices

2.2.1 European Union regulatory notices

This product complies with the following EU Directives. (These directives are only valid in the European Union.)

CE Certifications:

- Electromagnetic Compatibility (EMC) Directive 2014/30/EU
EN61326-1 : 2013 Class A

WARNING: This is a Class A product. This equipment can cause radio frequency noise when used in the residential area. In such cases, the user/operator of the equipment may be required to take appropriate countermeasures under his responsibility.

- Information for traceability
 - Authorised representative
Name: Renesas Electronics Corporation
Address: Toyosu Foresia, 3-2-24, Toyosu, Koto-ku, Tokyo 135-0061, Japan
 - Manufacturer
Name: Renesas Electronics Corporation
Address: Toyosu Foresia, 3-2-24, Toyosu, Koto-ku, Tokyo 135-0061, Japan
 - Person responsible for placing on the market
Name: Renesas Electronics Europe GmbH
Address: Arcadiastrasse 10, 40472 Dusseldorf, Germany
 - Trademark and Type name
Trademark: Renesas
Product name: RX72T CPU Card for Motor Control
Type name: RTK0EMX990C00000BJ

Environmental Compliance and Certifications:

- Waste Electrical and Electronic Equipment (WEEE) Directive 2012/19/EU

3. Block Diagram

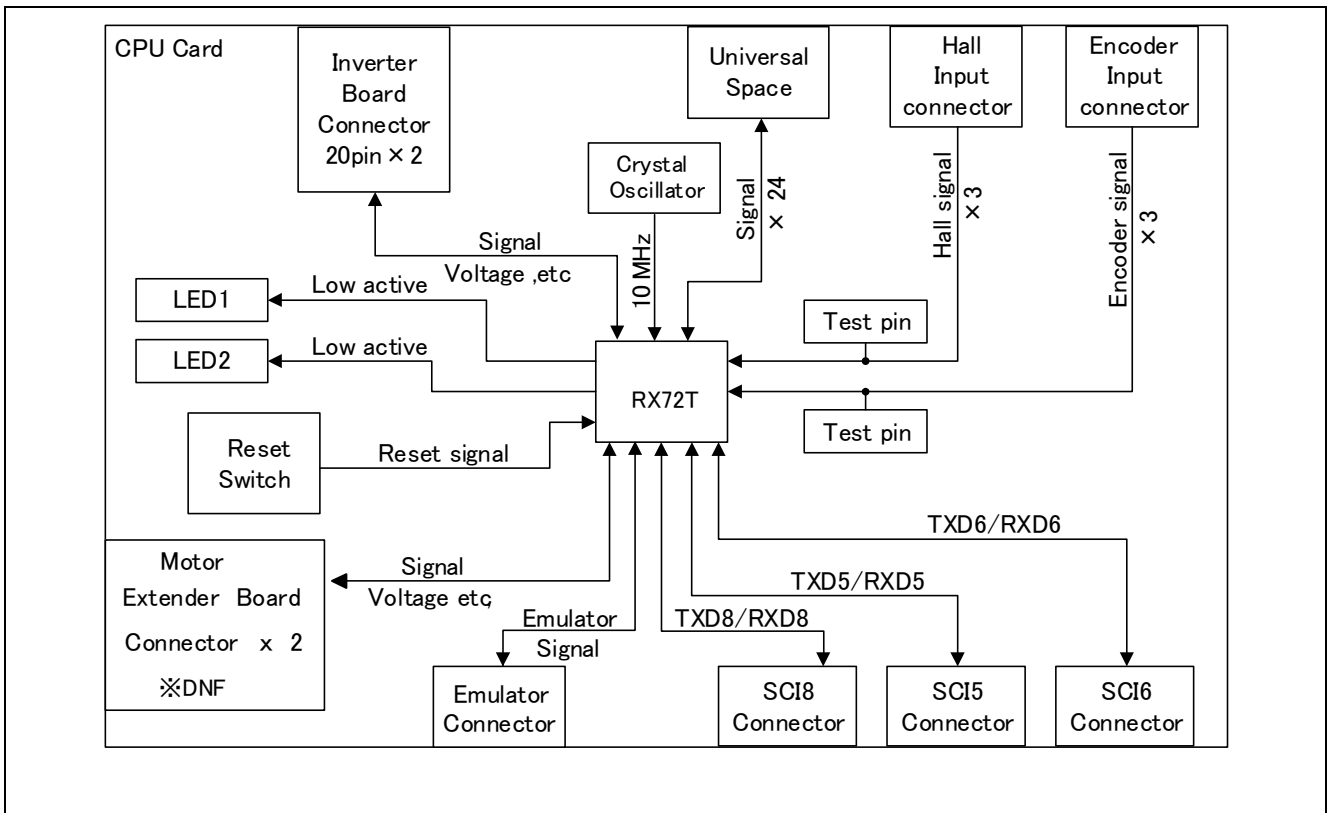


Figure 3.1 RX72T CPU Card Block Diagram

4. Layout

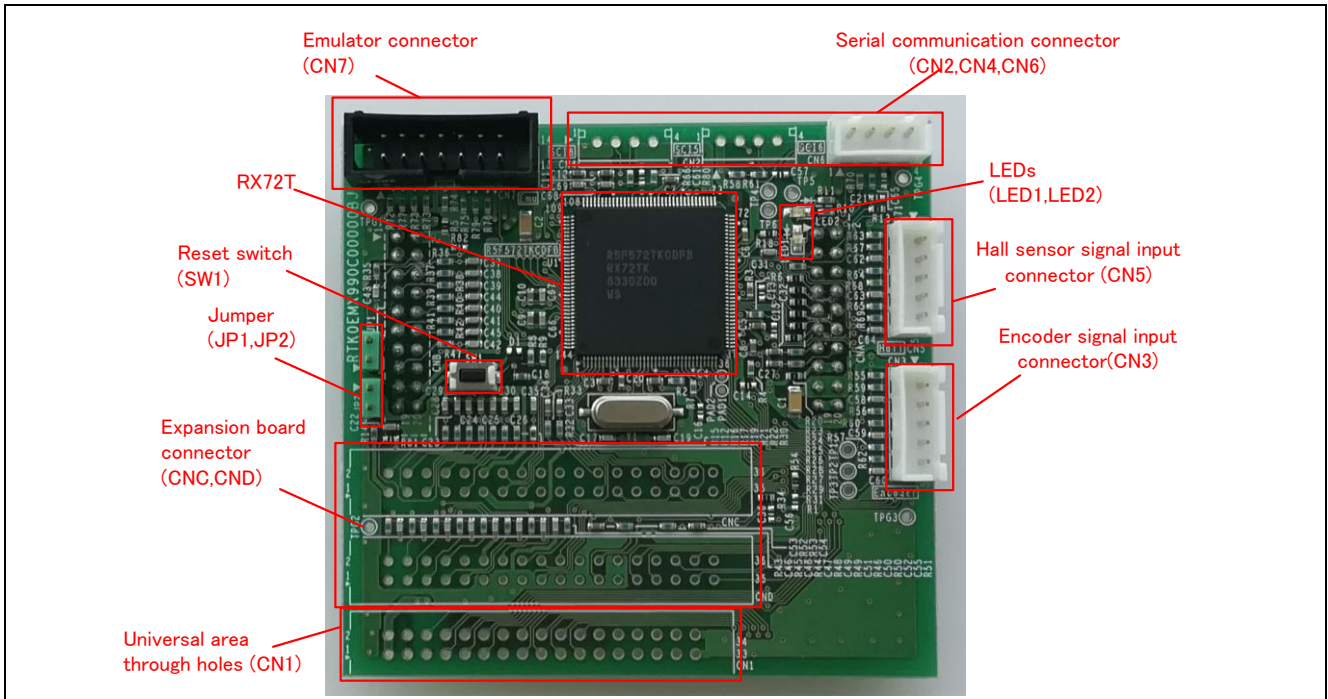


Figure 4.1 RX72T CPU Card Layout (Top View)

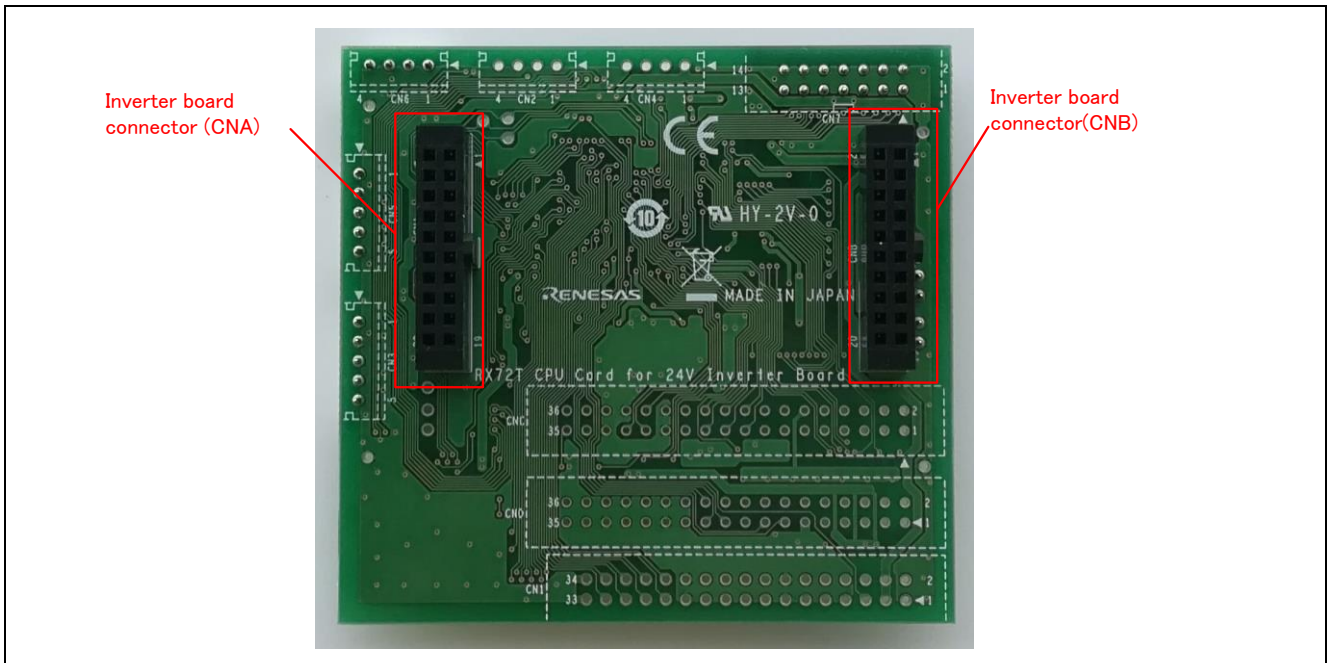


Figure 4.2 RX72T CPU Card Layout (Bottom View)

5. Usage

5.1 Quick Start

5.1.1 Preparation

Obtain the Motor RSSK, and perform the steps described in 5.1.1 and 5.1.2, Quick Start, of the user's manual. (R20UT3697EJ).

5.1.2 Replacing the CPU card

Confirm that the INV-BRD is powered off, remove the RX23T-CRD from the INV-BRD, and connect the product in its place.

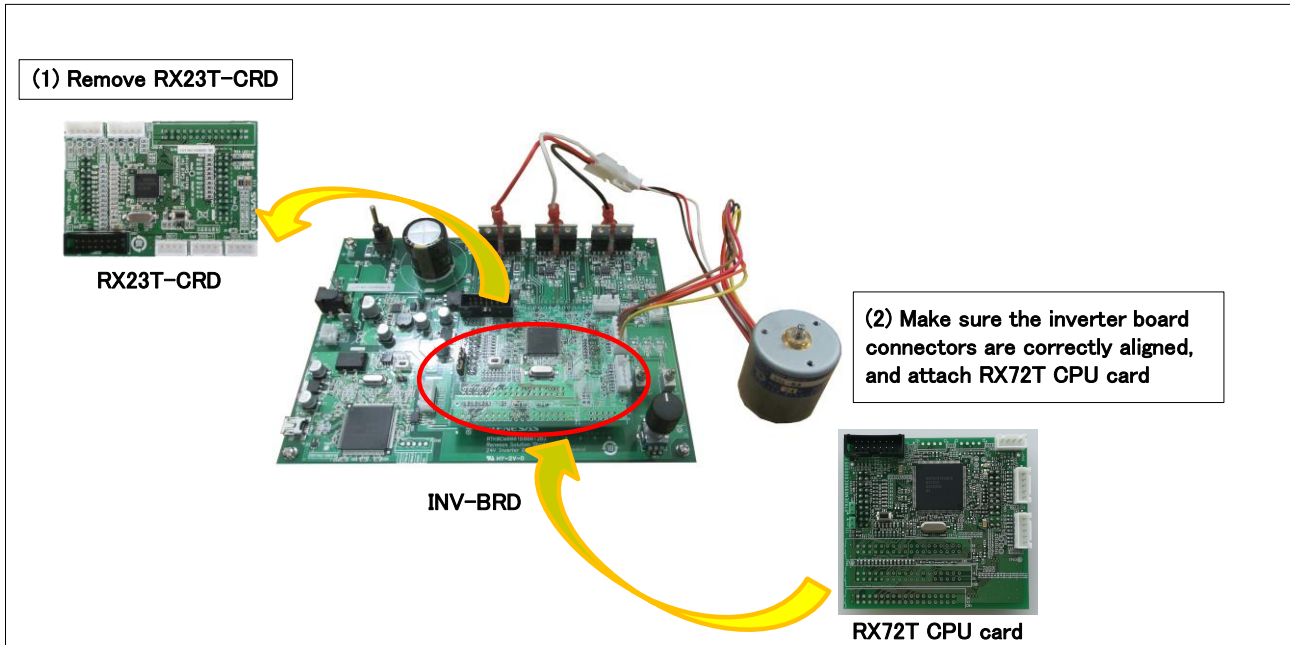


Figure 5.1 CPU card replacement

5.1.3 Preparation for Operation Test

Perform the steps described in 5.1.3 to 5.1.5 of the Motor RSSK user's manual (R20UT3697EJ) to prepare for motor drive.

5.1.4 Operation Test

Perform the steps described in 5.1.6 to 5.1.9 of the Motor RSSK user's manual (R20UT3697EJ) in the order indicated, turn on the power supply, enable motor rotation, change the motor rotation speed, and stop motor rotation.

5.1.5 Finishing the Operation Test

After the operation test is finished, confirm that the motor shaft is no longer rotating and turn off the stabilized power supply output.

5.2 Operation

5.2.1 Basic Operation

Out of the box the product is programmed with sensor-less vector control software for the RX72T. Table 5-1 lists the software specifications and the basic operations when connected to the INV-BRD.

Table 5-1 Initial Software Specifications

Item	Specification
Control method	Sensorless vector control
VR1	Clockwise turn: Motor shaft rotates clockwise. Counterclockwise turn: Motor shaft rotates counterclockwise.
SW1	ON: Motor rotation enabled OFF: Motor rotation disabled
SW2	Cancels error state: OFF → ON → OFF after an error:
LED1	ON: SW1 ON and normal state. OFF: SW1 OFF or error state.
LED2	ON: error state. OFF: normal state.

5.2.2 Canceling an Error State

If an error occurs, LED2 lights on the INV-BRD and the product, and motor rotation stops. To recover, it is necessary to turn off toggle switch SW1 and turn on toggle switch SW2 on the INV-BRD, and then turn off toggle switch SW2 again.

5.3 In Case of Abnormal Odor, Smoke, Abnormal Sound, Overheating, Etc.

The INV-BRD is equipped with a toggle switch (S1) to cut off the flow of current to the inverter. If an abnormal condition (such as abnormal odor, smoke, abnormal sound, or overheating) occurs, turn off S1 to cut off current flow to the inverter.

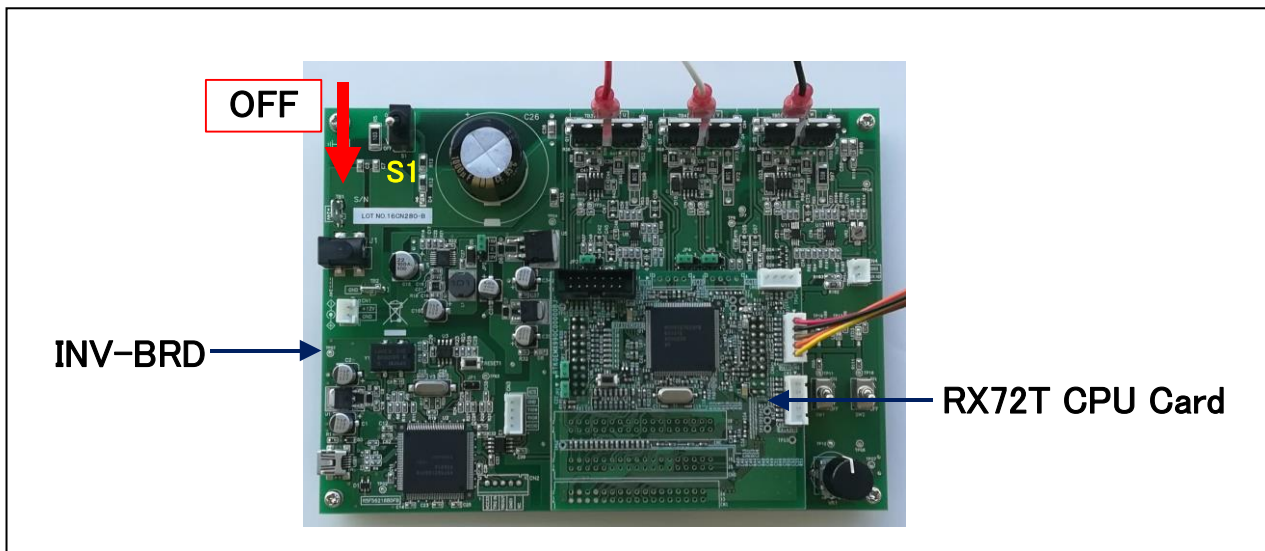


Figure 5.2 Cut off current

6. Functions

6.1 Power Supply

The product does not have a dedicated power supply connector. When connected to the INV-BRD it draws power via the connector. When not connected to the INV-BRD, it can draw power via the Emulator connector. The product is not allowed to draw power via the Emulator connector when it is connected to the INV-BRD.

6.2 Connecting the Emulator

The E1/E2 Lite on-chip debugging emulator from Renesas Electronics is used to write software (program) to the flash memory of the RX72T. Software will be downloaded into the product via E1 or E2 Lite. It is also necessary to make the settings shown in Table 6-1 in the integrated development environment to enable the emulator to supply power to the product. Table 6-2 lists the pin assignments of the Emulator connector.

Table 6-1 E1, E2 Lite Power Supply Settings

Connection to INV-BRD	Power Supply Setting of E1, E2 Emulator
Connected	Power supply is not allowed*1
Not connected	5.0V or 3.3V power supply

Note 1. When connected to the INV-BRD, the product must draw power from the INV-BRD.

Table 6-2 Pin Assignments of Emulator Connector (CN7)

Pin No.	Pin Function	RX72T Connection Pins	Pin No.	Pin Function	RX72T Connection Pins
1	TCK/FINEC	TCK/FINEC	2	GND	VSS/AVSS
3	TRST#	TRST#	4	EMLE	EMLE
5	TXD1/TDO	PD3/TDO/TXD1	6	NC	-
7	MD/FINED	MD/FINED	8	VCC	VCC
9	TMS	TMS	10	UB	UB
11	TDI/RXD1	PD5/TDI/RXD1	12	GND	VSS/AVSS
13	RESET#	RES#	14	GND	VSS/AVSS

Note: See a supplement to the E1/E20/E2 emulator, E2 emulator Lite user's manual.

6.3 Connecting the Inverter Board

The product connects to the INV-BRD via the inverter board connectors (CNA and CNB). Table 6-3 and Table 6-4 list the pin assignments of the inverter board connectors.

Table 6-3 Pin Assignments of Inverter Board Connector (CNA)

Pin No.	Pin Function	RX72T Connection Pins	Pin No.	Pin Function	RX72T Connection Pins
1	LED1#_1	PC5	2	LED2#_1	PC6
3	LED3#_1	P34	4	NC	PA1(unused)
5	FO#	P70/POE0#	6	NC	—
7	WN	P76/MTIOC4D	8	VN_1	P75/MTIOC4C
9	UN	P74/MTIOC3D	10	WP_1	P73/MTIOC4B
11	VP	P72/MTIOC4A	12	UP_1	P71/MTIOC3B
13	SW1#_1	P35	14	SW2#_1	PA0
15	5V	VCC	16	5V	VCC
17	GND	VSS	18	GND	VSS
19	3.3V	—	20	3.3V	—

Table 6-4 Pin Assignments of Inverter Board Connector (CNB)

Pin No.	Pin Function	RX72T Connection Pins	Pin No.	Pin Function	RX72T Connection Pins
1	AVCC	AVCC	2	AVCC	AVCC
3	NC	—	4	PGAVSS_1	PGAVSS0
5	IU_1	P40/AN000	6	IV_1	P41/AN001
7	IW_1	P42/AN002	8	VPN_1	P63/AN209
9	TEMP_1	—	10	VU_1	P60/AN206
11	VV_1	P61/AN207	12	VW_1	P62/AN208
13	VAC_1	—	14	IPFC_1	—
15	VR_1	P43/AN003	16	VN_1	—
17	VCCIO	VCC	18	VCCIO	VCC
19	GND	VSS	20	GND	VSS

6.4 Connecting the Serial Communication

The product communicates with the UART via the serial communication connectors. There are three serial communication connectors: CN4, CN6, and CN7. Table 6-5 lists their pin assignments. Use CN6 when using a tool such as waveform display in conjunction with the INV-BRD.

Table 6-5 Pin Assignments of Serial Communication Connectors (CN2, CN4, CN6)

Connector No.	Pin No.	Pin Function	RX72T Connection Pins
CN2	1	5V	VCC
SCI5	2	RX72T transmit side	PB5/TXD5/CTX0
(DNF)	3	RX72T receive side	PB6/RXD5/CRX0
	4	GND	VSS
CN4	1	5V	VCC
SCI8	2	RX72T transmit side	PC1/ TXD8
(DNF)	3	RX72T receive side	PC0/ RXD8
	4	GND	VSS
CN6	1	5V	VCC
SCI6	2	RX72T transmit side	PB0/TXD6
	3	RX72T receive side	PB1/RXD6
	4	GND	VSS

6.5 Hall Sensor Signal Input

The product is equipped with a Hall sensor signal input connector. Using this connector, it is possible to input the Hall sensor signal from the motor supplied with the Motor RSSK directly to the product. The signal input to the product is pulled up to 5 V and passed through an RC filter before being input to the RX72T. Table 6-6 lists the pin assignments of the Hall sensor signal input connector, and Table 6-7 lists connector information.

Table 6-6 Pin Assignments of Hall Sensor Signal Input Connector (CN5)

Pin No.	Pin Function	RX72T Connection Pins
1	5V	VCC
2	GND	VSS
3	HALL_U_1	P23/IRQ11
4	HALL_V_1	P24/IRQ4
5	HALL_W_1	P25/IRQ10

Table 6-7 Hall Sensor Signal Input Connector Information

Part	Product No.	Manufacturer
Connector (CN5)	B5B-XH-A	J.S.T. Mfg. Co. Ltd.

6.6 Encoder Signal Input

The product is equipped with an encoder signal input connector. This makes it possible to input the encoder signal to the RX72T. The signal input to the product is pulled up to 5 V and passed through an RC filter before being input to the RX72T. Table 6-8 lists the pin assignments of the signal input connector, and Table 6-9 lists connector information.

Table 6-8 Pin Assignments of Encoder Signal Input Connector (CN3)

Pin No.	Pin Function	RX72T Connection Pins
1	5V	VCC
2	GND	VSS
3	ENC_A_1	PA7
4	ENC_B_1	PA6
5	ENC_Z_1	PA5

Table 6-9 Encoder Signal Input Connector Information

Part	Product No.	Manufacturer
Connector (CN3)	B5B-XH-A	J.S.T. Mfg. Co. Ltd.

6.7 Connecting the Extender Board

This product is equipped with two Extender board Connector. This connector can connect Extender Board (RTK0EM0000Z02000BJ) via the cable. This makes it possible to control three INV-BRDs. In other words, this product can drive three motors. Table 6-10 lists the pin assignments of the 2nd Extender board Connector.

Table 6-11 lists the pin assignments of the 3rd Extender board Connector. Note that the pin assignments of CND are different from those of CNC and that some pins of CND are pull-upped because of sharing the pins with CN7.

Table. 6-10 Pin Assignments of 2nd Extender boards Connector

CNC Pin No.	CNC Pin Function	RX72T Connection Pins	CNC Pin No.	CNC Pin Function	RX72T Connection Pins
1	PGAVSS_2	PGAVSS1	2	VPN_2	P55/AN203
3	IU_2	P44/AN100	4	IV_2	P45/AN101
5	IW_2	P46/AN102	6	TEMP_2	—
7	VU_2	P52/AN200	8	VV_2	P53/AN201
9	VW_2	P54/AN202	10	VR_2	—
11	GND	VSS	12	GND	AVSS
13	LED1#_2	P15	14	LED2#_2	P16
15	LED3#_2	P17	16	FO#_2	P01/POE12#
17	WN_2	P90/MTIOC7D	18	VN_2	P91/MTIOC7C
19	UN_2	P92/MTIOC6D	20	WP_2	P93/MTIOC7B
21	VP_2	P94/MTIOC7A	22	UP_2	P95/MTIOC6B
23	SW1#_2	P13	24	SW2#_2	P14
25	GND	VSS	26	GND	VSS
27	ENC_A_2	P31/MTCLKC	28	ENC_B_2	P30/MTCLKD
29	ENC_Z_2	PA3/MTIOC2A	30	GND	VSS
31	GND	VSS	32	HALL_U_2	PE5/IRQ0
33	HALL_V_2	PE6/IRQ3	34	HALL_W_2	P12/IRQ9
35	VRL_2	P10(DNF)	36	NC	—

Table 6. 6-11 Pin Assignments of 3rd Extender boards Connector

CND Pin No.	CND Pin Function	RX72T Connection Pins	CND Pin No.	CND Pin Function	RX72T Connection Pins
1	PGAVSS_3	—	2	VPN_3	PH2/AN005
3	IU_3	PH1/AN004	4	IV_3	P47/AN103
5	IW_3	P50/AN204	6	TEMP_3	—
7	VU_3	PH5/AN104	8	VV_3	PH6/AN105
9	VW_3	PH7/AN106	10	VR_3	—
11	GND	VSS	12	GND	AVSS
13	LED1#_3	PF3	14	LED2#_3	PE3
15	LED3#_3	PB7	16	FO#_3	PE4/POE10#
17	WN_3	PK1/GTIOC2B	18	VN_3	PG0/GTIOC1B
19	UN_3	PG2/GTIOC0B	20	WP_3	PK0/GTIOC2A
21	VP_3	PK2/GTIOC1A	22	UP_3	PG1/GTIOC0A
23	SW1#_3	PE0	24	SW2#_3	PE1
25	GND	VSS	26	GND	VSS
27	ENC_A_3	PD1/GTIOC3A	28	ENC_B_3	PD0/GTIOC3B
29	ENC_Z_3	PB4/GTETRGA	30	GND	VSS
31	GND	VSS	32	HALL_U_3	PF0/IRQ12
33	HALL_V_3	PF1/IRQ13	34	HALL_W_3	PF2/IRQ5
36	VRL_3	PD2(DNF)	36	NC	—

6.8 Extension of Unused Pins

To facilitate general use of the product, the unused pins of the RX72T are extended through universal connector through holes in the board. Table 6-12 lists the pin assignments of the universal area through holes.

Table 6-12 Pin Assignments of Universal Area Through Holes (CN1)

Pin No.	RX72T Connection Pins	Pin No.	RX72T Connection Pins
1	UVCC	2	UVCC
3	AVCC	4	AVCC
5	PE2	6	P23
7	PB3	8	P27
9	PA4	10	GND
11	P96	12	P33
13	VSS	14	VSS
15	P32	16	P27
17	P26	18	P22
19	PC4	20	PC3
21	P21	22	P20
23	VSS	24	VSS
25	P65	26	P64
27	P51	28	PH3
29	P82	30	P81
31	P80	32	P11
33	VSS	34	VSS

6.9 Reset Circuit

The product is equipped with a reset circuit for resetting the microcontroller at power-on reset and external reset. To apply an external reset to the microcontroller, press the pushbutton (SW1).

6.10 Crystal Resonator

This product is mounted crystal oscillator (Y1) on 8MHz.

6.11 LEDs

Two LEDs are mounted on the product for use in debugging programs and general system applications. Each turns on when the output on the corresponding port is low-level and turns off when the output is high-level. Table 6-13 lists the pin assignments corresponding to the LEDs.

Table 6-13 RX72T CPU Card LED Connection Pin Assignments

Corresponding RX72T Port		LED1	LED2
PC5	High-level output	Off	-
	Low-level output	On	-
PC6	High-level output	-	Off
	Low-level output	-	On

6.12 JP1, JP2

JP1 and JP2 should be short-circuited between 2-3Pin.

Table 6-14 Jumper JP1 and JP2 configuration

JP1, JP2 configuration	Function	
	JP1	JP2
Open	Connect MCU (PGAVSS0 pin) to CNB (4 pin)	Connect MCU (PGAVSS1 pin) to CNC (1 pin)
Short (Factory settings)	Connect MCU (PGAVSS0 pin) to GND	Connect MCU (PGAVSS1 pin) to GND

7. Details of RX72T CPU Card

7.1 RX72T Features

1. 32-bit microcontroller with RXv3 CPU core for motor control
2. On-chip 32-bit single-precision floating point unit (FPU)
3. Ability to output three-phase complementary PWM waveforms on three channels
4. Ability to set timer interrupt as A/D trigger
5. Three 12-bit A/D converter units with a total of 33 channels
6. Channel-dedicated sample and hold function
7. On-chip programmable gain amplifier and comparator
8. Timer output stop (Hi-Z) function
9. On-chip independent watchdog timer

7.2 RX72T Pin Assignments

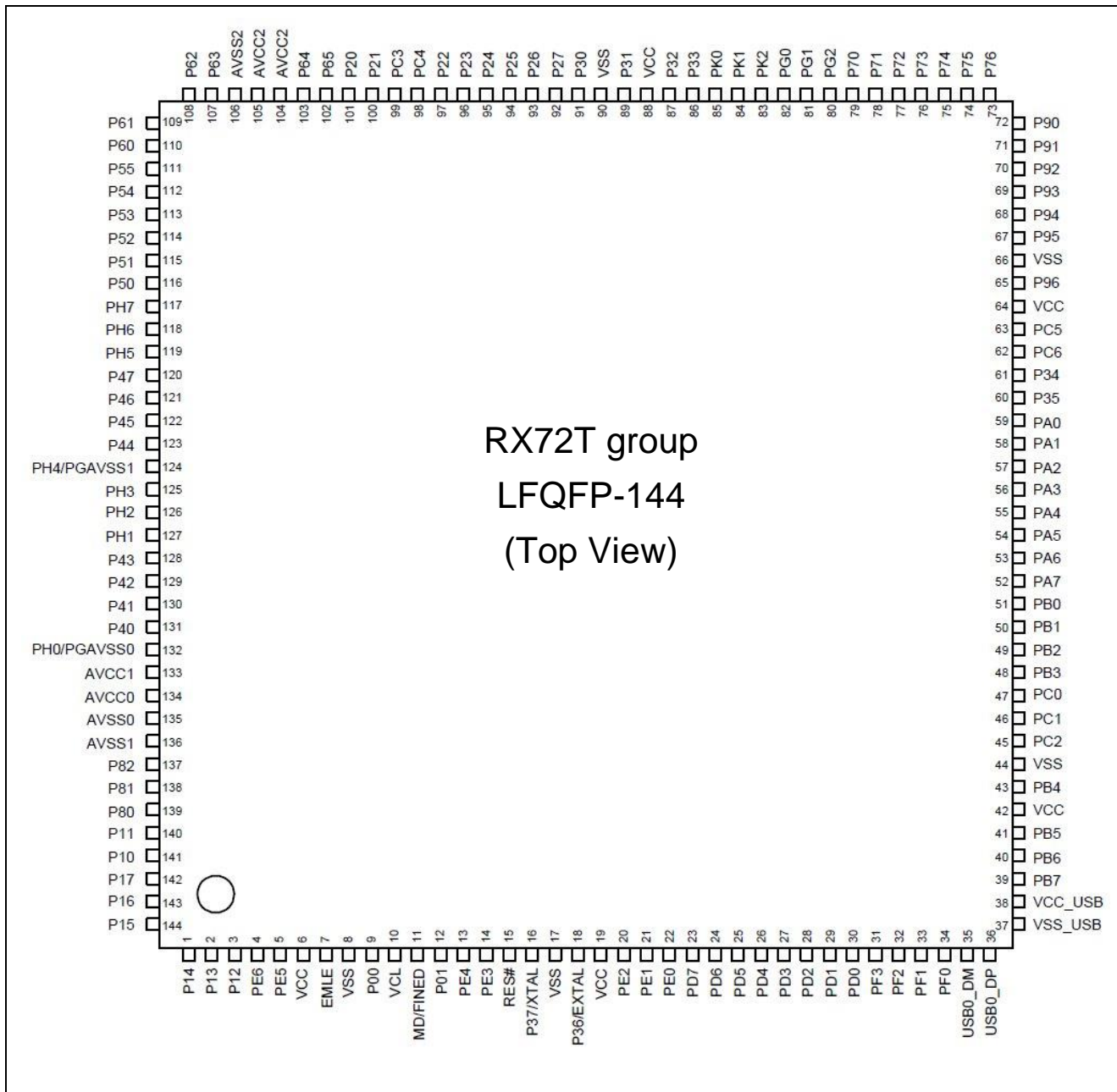


Figure 7.1 RX72T Pin Assignments

7.3 List of RX72T Pin Functions

Table 7-1 List of RX72T Pin Functions (1/5)

Pin No.	RX72T Pin Functions	CPU Card Connection	External Connection (N.C. : No connection)
1	P14/MTIOC4B/MTIOC4B#/GTIOC2A/GTIOC9A/GTIOC2A#/GTIOC9A#/IRQ11	CNC-24	SW2#_2
2	P13/MTIOC4A/MTIOC4A#/GTIOC1A/GTIOC8A/GTIOC1A#/GTIOC8A#/IRQ10	CNC-23	SW1#_2
3	P12/MTIOC3B/MTIOC3B#/GTIOC0A/GTIOC7A/GTIOC0A#/GTIOC7A#/IRQ9	CNC-34	HALL_W_2
4	PE6/RD#/GTETRGA/GTETRGB/GTETRGC/GTETRGD/POE10#/IRQ3	CNC-33	HALL_V_2
5	PE5/BCLK/MTIOC9D/MTIOC9D#/GTIOC3A/GTETRGB/GTIOC3A#/GTETRGD/SCK9/CTS9#/RTS9#/SS9#/IRQ0/ADST0	CNC-32	HALL_U_2
6	VCC	VCC	VCC
7	EMLE	CN7-4	E1, E2 Lite
8	VSS	VSS	VSS
9	UB/P00/A11/MTIOC9A/MTIOC9A#/CACREF/RXD9/SMISO9/SSCL9/RXD12/SMISO12/SSCL12/RXD12/IRQ2/ADST1/COMP0	CN7-10	E1, E2 Lite
10	VCL	Connect to capacitor	-
11	MD/FINED	CN7-7	E1, E2 Lite
12	P01/A10/MTIOC9C/MTIOC9C#/GTETRGA/GTETRGB/GTETRGC/GTETRGD/POE12#/TXD9/SMOSI9/SSDA9/TXD12/SMOSI12/SSDA12/TXD12/SIOX12/IRQ4/ADST2/COMP1	CNC-16	FO#_2
13	PE4/A9/MTCLKC/MTCLKC#/GTETRGA/GTETRGB/GTETRGC/GTETRGD/POE10#/SCK9/IRQ1	CND-16	FO#_3
14	PE3/A8/MTCLKD/MTCLKD#/GTETRGA/GTETRGB/GTETRGC/GTETRGD/POE11#/CTS9#/RTS9#/SS9#/IRQ2_DS	CND-14	LED2#_3
15	RES#	RESET, CN7-13	MCU RESET
16	XTAL/P37	Crystal oscillator	MCU oscillating
17	VSS	VSS	VSS
18	EXTAL/P36	Crystal oscillator	MCU oscillating
19	VCC	VCC	VCC
20	UPSEL/PE2/POE10#/NMI	CN1-5	N.C
21	PE1/WR0#/WR#/MTIOC9D/MTIOC9D#/TMO5/CTS5#/RTS5#/SS5#/CTS12#/RTS12#/SS12#/SSLA3/IRQ15	CND-24	SW2#_3
22	PE0/WR1#/BC1#/WAIT#/MTIOC9B/MTIOC9B#/TMCI1/TMCI5/RXD5/SMISO5/SSCL5/SSLA2/CRX0/USB0_OV/RCURB/IRQ7	CND-23	SW1#_3
23	TRST#/PD7/MTIOC9A/MTIOC9A#/GTIOC0A/GTIOC3A/GTIOC0A#/GTIOC3A#/TMRI1/TMRI5/TXD5/SMOSI5/SSDA5/SSLA1/CTX0/IRQ8	CN7-3	E1, E2 Lite
24	TMS/PD6/MTIOC9C/MTIOC9C#/GTIOC0B/GTIOC3B/GTIOC0B#/GTIOC3B#/TMO1/CTS1#/RTS1#/SS1#/CTS11#/RTS11#/SS11#/SSLA0/IRQ5/ADST0	CN7-9	E1, E2 Lite
25	TDI/PD5/GTIOC1A/GTETRGA/GTIOC1A#/TMRI0/TMRI6/RXD1/SMISO1/SSCL1/RXD11/SMISO11/SSCL11/IRQ6	CN7-11	E1, E2 Lite
26	TCK/FINEC/PD4/GTIOC1B/GTETRGB/GTIOC1B#/TMCI0/TMCI6/SCK1/SCK11/IRQ2	CN7-1	E1, E2 Lite
27	TDO/PD3/GTIOC2A/GTETRGC/GTIOC2A#/TMO0/TXD1/SMOSI1/SSDA1/TXD11/SMOSI11/SSDA11	CN7-5	E1, E2 Lite

Table 7-2 List of RX72T Pin Functions (2/5)

28	TRCLK/PD2/A7/GTIOC2B/GTIOC0A/GTIOC2B#/GTIOC0A#/ TMC11/TMO4/SCK5/SCK8/MOSIA/USB0_VBUS	CND-35	VRL_3(unused)
29	TRDATA3/PD1/A6/GTIOC3A/GTIOC0B/GTIOC3A#/GTIOC0 B#/TMO2/RXD8/SMISO8/SSCL8/MISOA	CND-27	ENC_A_3
30	TRDATA2/PD0/A5/GTIOC3B/GTIOC1A/GTIOC3B#/GTIOC1 A#/TMO6/TXD8/SMOSI8/SSDA8/RSPCKA	CND-28	ENC_B_3
31	TRDATA7/PF3/A19/CS3#/GTETRGA/TMO7/CTS11#/RTS11 #/SS11#/CRX0/IRQ14/COMP0	CND-13	LED1#_3
32	TRDATA6/PF2/A18/CS2#/GTETRGB/TMO3/SCK11/CTX0/IR Q5/COMP1	CND-34	HALL_W_3
33	TRDATA5/PF1/A17/CS1#/GTETRGC/TMO5/RXD11/SMISO1 1/SSCL11/IRQ13/COMP2	CND-33	HALL_V_3
34	TRDATA4/PF0/A0/BC0#/GTETRGD/TMO1/TXD11/SMOSI11 /SSDA11/IRQ12/COMP3	CND-32	HALL_U_3
35	USB0_DM	-	N.C
36	USB0_DP	-	N.C
37	VSS_USB	VSS	VSS
38	VCC_USB	VCC	VCC
39	TRDATA1/PB7/A4/GTIOC1B/GTIOC1B#/SCK5/SCK11/SCK1 2/USB0_OVRCURB	CND-15	LED3#_3
40	TRDATA0/PB6/A3/GTIOC2A/GTIOC2A#/RXD5/SMISO5/SS CL5/RXD11/SMISO11/SSCL11/RXD12/SMISO12/SSCL12/R XDX12/CRX0/USB0_OVRCURA/IRQ2	CN2-3	SCI5 communication
41	TRSYNC/PB5/A2/GTIOC2B/GTIOC2B#/TXD5/SMOSI5/SSD A5/TXD11/SMOSI11/SSDA11/TXD12/SMOSI12/SSDA12/TX DX12/SIOX12/CTX0/USB0_VB USEN	CN2-2	SCI5 communication
42	VCC	VCC	VCC
43	TRSYNC1/PB4/A1/GTETRGA/GTETRGB/GTETRGC/GTET RGD/POE8#/CTS5#/RTS5#/SS5#/SCK11/CTS11#/RTS11#/ SS11#/USB0_OVRCURB/IRQ3_DS	CND-29	ENC_Z_3
44	VSS	VSS	VSS
45	PC2/CS1#/MTIOC0D/MTIOC0D#/GTADSM0/SCK8/USB0_ID /USB0_OV/RCURA/IRQ15/ADSM0/COMP5	CN1-6	N.C
46	PC1/A16/MTIOC0C/MTIOC0C#/GTADSM1/TXD8/SMOSI8/S SDA8/USB0_EXICEN/USB0_VBUSEN/IRQ13/ADSM1/COM P4	CN4-2	SCI8 communication
47	PC0/CS0#/MTIOC0B/MTIOC0B#/RXD8/SMISO8/SSCL8/US B0_VBUS/IRQ12/COMP3	CN4-3	SCI8 communication
48	PB3/A7/MTIOC0A/MTIOC0A#/CACREF/SCK6/RSPCKA/IRQ 9	CN1-7	N.C
49	PB2/A6/MTIOC0B/MTIOC0B#/GTADSM0/TMRI0/TXD6/SMO SI6/SSDA6/SDA/ADSM0	CN1-8	N.C
50	PB1/A5/MTIOC0C/MTIOC0C#/GTADSM1/TMCIO/RXD6/SMI SO6/SSCL6/SCL/IRQ4/ADSM1	CN6-3	SCI6 communication
51	PB0/A0/BC0#/A4/MTIOC0D/MTIOC0D#/TMO0/TXD6/SMOSI 6/SSDA6/CTS11#/RTS11#/SS11#/MOSIA/IRQ8/ADTRG2#	CN6-2	SCI6 communication
52	PA7/A15/MTCLKA/MTCLKC/MTCLKA#/MTCLKC#/ GTADSM0/TMO2/RXD11/SMISO11/SSCL11/RXD12/SMISO 12/SSCL12/RXDX12/CRX0/ADSM0	CN3-3	ENC_A_1
53	PA6/A14/MTCLKB/MTCLKD/MTCLKB#/MTCLKD#/ GTADSM1/TMO6/TXD11/SMOSI11/SSDA11/TXD12/SMOSI 12/SSDA12/TXDX12/SIOX12/CTX0/IRQ7/ADSM1	CN3-4	ENC_B_1
54	PA5/A3/MTIOC1A/MTIOC1A#/TMCIO3/RXD6/SMISO6/SSCL6 /RXD8/SMISO8/SSCL8/MISOA/IRQ1/ADTRG1#	CN3-5	ENC_Z_1

Table 7-3 List of RX72T Pin Functions (3/5)

55	PA4/A2/MTIOC1B/MTIOC1B#/TMC17/SCK6/TXD8/SMOSI8/SSDA8/RSPCKA/ADTRG0#	CN1-9	N.C
56	PA3/A1/MTIOC2A/MTIOC2A#/GTADSM0/TMRI7/TXD9/SMOSI9/SSDA9/SCK8/SSLA0	CNC-29	ENC_Z_2
57	PA2/A0/BC0#/MTIOC2B/TIOC2B#/GTADSM1/TMO7/CTS6#/RTS6#/SS6#/RXD9/SMISO9/SSCL9/SCK11/SSLA1	CN1-10	N.C
58	PA1/MTIOC6A/MTIOC6A#/TMO4/TXD9/SMOSI9/SSDA9/RXD11/SMISO11/SSCL11/SSLA2/CRX0/USB0_ID/USB0_OVRCURA/IRQ14_DS/ADTRG0#	CNA-4	VRL_1(used)
59	PA0/MTIOC6C/MTIOC6C#/TMO2/SCK9/TXD11/SMOSI11/SSDA11/SSLA3/CTX0/USB0_EXICEN/USB0_VBUSEN	CNA-14	SW2#_1
60	P35/A13/MTIOC2A/MTIOC9A/MTIOC2A#/MTIOC9A#/GTADSM0/TMO0/CTS8#/RTS8#/SS8#/TXD1/SMOSI1/SSDA1/IRQ6	CNA-13	SW1#_1
61	P34/A12/MTIOC2B/MTIOC9B/MTIOC2B#/MTIOC9B#/GTADSM1/GTETRGB/TMO4/CTS9#/RTS9#/SS9#/RXD1/SMISO1/SSCL1/USB0_OVRCURB/IRQ3	CNA-3	LED3#_1
62	PC6/MTIOC1A/MTIOC9C/MTIOC1A#/MTIOC9C#/RXD11/SMISO11/SSCL11/CRX0/IRQ11_DS	CNA-2	LED2#_1
63	PC5/MTIOC1B/MTIOC9D/MTIOC1B#/MTIOC9D#/TXD11/SMISO11/SSDA11/CTX0/IRQ10_DS	CNA-1	LED1#_1
64	VCC	VCC	VCC
65	P96/CS0#/WAIT#/GTETRGA/GTETRGC/GTETRGC/GTETRGD/POE4#/CTS8#/RTS8#/SS8#/IRQ4_DS	CN1-11	N.C
66	VSS	VSS	VSS
67	P95/MTIOC6B/MTIOC6B#/GTIOC4A/GTIOC7A/GTIOC4A#/GTIOC7A#	CNC-22	UP_2
68	P94/MTIOC7A/MTIOC7A#/GTIOC5A/GTIOC8A/GTIOC5A#/GTIOC8A#	CNC-21	VP_2
69	P93/MTIOC7B/MTIOC7B#/GTIOC6A/GTIOC9A/GTIOC6A#/GTIOC9A#	CNC-20	WP_2
70	P92/MTIOC6D/MTIOC6D#/GTIOC4B/GTIOC7B/GTIOC4B#/GTIOC7B#	CNC-19	UN_2
71	P91/MTIOC7C/MTIOC7C#/GTIOC5B/GTIOC8B/GTIOC5B#/GTIOC8B#	CNC-18	VN_2
72	P90/MTIOC7D/MTIOC7D#/GTIOC6B/GTIOC9B/GTIOC6B#/GTIOC9B#	CNC-17	WN_2
73	P76/D0/MTIOC4D/MTIOC4D#/GTIOC2B/GTIOC6B/GTIOC2B#/GTIOC6B#	CNA-7	WN_1
74	P75/D1/MTIOC4C/MTIOC4C#/GTIOC1B/GTIOC5B/GTIOC1B#/GTIOC5B#	CNA-8	VN_1
75	P74/D2/MTIOC3D/MTIOC3D#/GTIOC0B/GTIOC4B/GTIOC0B#/GTIOC4B#	CNA-9	UN_1
76	P73/D3/MTIOC4B/MTIOC4B#/GTIOC2A/GTIOC6A/GTIOC2A#/GTIOC6A#	CNA-10	WP_1
77	P72/D4/MTIOC4A/MTIOC4A#/GTIOC1A/GTIOC5A/GTIOC1A#/GTIOC5A#	CNA-11	VP_1
78	P71/D5/MTIOC3B/MTIOC3B#/GTIOC0A/GTIOC4A/GTIOC0A#/GTIOC4A#	CNA-12	UP_1
79	P70/D6/GTETRGA/GTETRGC/GTETRGC/GTETRGD/POE0#/CTS9#/RTS9#/SS9#/IRQ5_DS	CNA-5	FO#_1

Table 7-4 List of RX72T Pin Functions (4/5)

80	PG2/D11/GTETRGA/GTIOC0B/GTIOC0B#/SCK9/IRQ2/COMP0	CND-19	UN_3
81	PG1/D12/GTIOC0A/GTIOC0A#/TXD9/SMOSI9/SSDA9/IRQ1/COMP1	CND-22	UP_3
82	PG0/D13/GTIOC1B/GTIOC1B#/RXD9/SMISO9/SSCL9/IRQ0/COMP2	CND-18	VN_3
83	PK2/D14/GTIOC1A/GTIOC1A#/POE12#/CTS9#/RTS9#/SS9#/SCK5/IRQ9_DS/COMP3	CND-21	VP_3
84	PK1/D15/GTIOC2B/GTIOC2B#/POE13#/CTS8#/RTS8#/SS8#/TXD5/SMOSI5/SSDA5/IRQ8_DS/COMP4	CND-17	WN_3
85	PK0/CS1#/GTIOC2A/GTIOC2A#/POE14#/RXD5/SMISO5/SSCL5/IRQ15_DS/COMP5	CND-20	WP_3
86	P33/D7/MTIOC3A/MTCLKA/MTIOC3A#/MTCLKA#/GTIOC3B/GTIOC3B#/TMO0/SSLA3/IRQ13_DS	CN1-12	N.C
87	P32/D8/MTIOC3C/MTCLKB/MTIOC3C#/MTCLKB#/GTIOC3A/GTIOC3A#/TMO6/SSLA2/IRQ12_DS	CN1-15	N.C
88	VCC	VCC	VCC
89	P31/D9/MTIOC0A/MTCLKC/MTIOC0A#/MTCLKC#/TMRI6/SSLA1/IRQ6	CNC-27	ENC_A_2
90	VSS	VSS	VSS
91	P30/D10/MTIOC0B/MTCLKD/MTIOC0B#/MTCLKD#/TMCI6/SCK8/CTS8#/RTS8#/SS8#/SSLA0/IRQ7/COMP3	CNC-28	ENC_B_2
92	P27/CS3#/MTIOC1A/MTIOC0C/MTIOC1A#/MTIOC0C#/POE9#/IRQ15	CN1-16	N.C
93	P26/CS2#/MTIOC9A/MTIOC9A#/CTS1#/RTS1#/SS1#/IRQ11/ADST0	CN1-17	N.C
94	P25/CS3#/MTIOC9C/MTIOC9C#/SCK1/IRQ10/ADST1	CN5-5	HALL_W_1
95	P24/D11/MTIC5U/MTIC5U#/TMCI2/TMO6/CTS8#/RTS8#/SS8#/SCK8/RSPCKA/IRQ4/COMP0	CN5-4	HALL_V_1
96	P23/D12/MTIC5V/MTIC5V#/TMO2/CACREF/TXD8/SMOSI8/SSDA8/TXD12/SMOSI12/SSDA12/TXDX12/SIOX12/MOSIA/CTX0/IRQ11/COMP1	CN5-3	HALL_U_1
97	P22/D13/MTIC5W/MTCLKD/MTIC5W#/MTCLKD#/MTIOC9B/TMRI2/TMO4/RXD8/SMISO8/SSCL8/RXD12/SMISO12/SSCL12/RXDX12/MISOA/CRX0/IRQ10/ADTRG2#/COMP2	CN1-18	N.C
98	PC4/A20/MTIOC9B/MTIOC9B#/TXD1/SMOSI1/SSDA1/TXD12/SMOSI12/SSDA12/TXDX12/SIOX12/ADST2/COMP5	CN1-19	N.C
99	PC3/MTIOC9D/MTIOC9D#/RXD1/SMISO1/SSCL1/RXD12/SMISO12/SSCL12/RXDX12/IRQ14/COMP4	CN1-20	N.C
100	P21/D14/MTIOC9A/MTCLKA/MTIOC9A#/MTCLKA#/TMCI4/TXD8/SMOSI8/SSDA8/TXD12/SMOSI12/SSDA12/TXDX12/SIOX12/MOSIA/IRQ6_DS/AN217/ADTRG1#/COMP5	CN1-21	N.C
101	P20/D15/MTIOC9C/MTCLKB/MTIOC9C#/MTCLKB#/TMRI4/CTS8#/RTS8#/SS8#/SCK8/RSPCKA/IRQ7_DS/AN216/ADTRG0#/COMP4	CN1-22	N.C
102	P65/A12/IRQ9/AN211/CMPC53/DA1	CN1-25	N.C
103	P64/A13/IRQ8/AN210/CMPC33/DA0	CN1-26	N.C
104	AVCC2	AVCC	AVCC

Table 7-5 List of RX72T Pin Functions (5/5)

105	AVCC2	AVCC	AVCC
106	AVSS2	AVSS	AVSS
107	P63/A14/A12/IRQ7/AN209/CMPC23	CNB-8	VPN_1
108	P62/A15/A13/IRQ6/AN208/CMPC43	CNB-12	VW_1
109	P61/A16/A14/IRQ5/AN207/CMPC13	CNB-11	VV_1
110	P60/A17/A15/IRQ4/AN206/CMPC03	CNB-10	VU_1
111	P55/A18/A16/IRQ3/AN203/CMPC32	CNC-2	VPN_2
112	P54/A19/A17/IRQ2/AN202/CMPC22	CNC-9	VW_2
113	P53/A20/A18/IRQ1/AN201/CMPC12	CNC-8	VV_2
114	P52/IRQ0/AN200/CMPC02	CNC-7	VU_2
115	P51/AN205/CMPC52	CN1-27	N.C
116	P50/AN204/CMPC42	CND-5	IW_3
117	PH7/AN106/CVREFC1	CND-9	VW_3
118	PH6/AN105	CND-8	VV_3
119	PH5/AN104	CND-7	VU_3
120	P47/AN103	CND-4	IV_3
121	P46/AN102/CMPC50/CMPC51	CNC-5	IW_2
122	P45/AN101/CMPC40/CMPC41	CNC-4	IV_2
123	P44/AN100/CMPC30/CMPC31	CNC-3	IU_2
124	PH4/AN107/PGAVSS1	CNC-1	PGAVSS_2
125	PH3/AN006/CVREFC0	CN1-28	N.C
126	PH2/AN005	CND-2	VPN_3
127	PH1/AN004	CND-3	IU_3
128	P43/AN003	CNB-15	VR_1
129	P42/AN002/CMPC20/CMPC21	CNB-7	IW_1
130	P41/AN001/CMPC10/CMPC11	CNB-6	IV_1
131	P40/AN000/CMPC00/CMPC01	CNB-5	IU_1
132	PH0/AN007/PGAVSS0	CNB-4	PGAVSS_1
133	AVCC1	AVCC	AVCC
134	AVCC0	AVCC	AVCC
135	AVSS0	AVSS	AVSS
136	AVSS1	AVSS	AVSS
137	P82/ALE/WAIT#/MTIC5U/MTIC5U#/TMO4/SCK6/SCK12/IRQ3/COMP5	CN1-29	N.C
138	P81/CS2#/MTIC5V/MTIC5V#/TMCI4/TXD6/SMOSI6/SSDA6/TXD12SMOSI12/SSDA12/TXDX12/SIOX12/COMP4	CN1-30	N.C
139	P80/CS1#/MTIC5W/MTIC5W#/TMRI4/RXD6/SMISO6/SSCL6/RXD12/SMISO12/SSCL12/RXDX12/IRQ5/COMP3	CN1-31	N.C
140	P11/RD#/MTIOC3A/MTCLKC/MTIOC3A#/MTCLKC#/MTIOC9D/GTIOC3B/GTETRGA/GTIOC3B#/GTETRGC/TMO3/POE9#/IRQ1_DS	CN1-32	N.C
141	P10/MTIOC9B/MTCLKD/MTIOC9B#/MTCLKD#/GTETRGB/GTETRGD/TMRI3/POE12#/CTS6#/RTS6#/SS6#/IRQ0_DS	CNC-35	VRL_2(used)
142	P17/MTIOC4D/MTIOC4D#/GTIOC2B/GTIOC9B/GTIOC2B#/GTIOC9B#/IRQ14	CNC-15	LED3#_2
143	P16/MTIOC4C/MTIOC4C#/GTIOC1B/GTIOC8B/GTIOC1B#/GTIOC8B#/IRQ13	CNC-14	LED2#_2
144	P15/MTIOC3D/MTIOC3D#/GTIOC0B/GTIOC7B/GTIOC0B#/GTIOC7B#/IRQ12	CNC-13	LED1#_2

8. Caution Items

The product includes some unused pins that have not been processed. For information on accurate pin processing, refer to the hardware manual of the microcontroller.

Website and Support

Renesas Electronics Website

<http://www.renesas.com/>

Inquiries

<http://www.renesas.com/contact/>

All trademarks and registered trademarks are the property of their respective owners.

Revision History

Rev.	Date	Description	
		Page	Summary
1.00	Feb. 21, 2019	-	First edition issued

Notice

1. Descriptions of circuits, software and other related information in this document are provided only to illustrate the operation of semiconductor products and application examples. You are fully responsible for the incorporation or any other use of the circuits, software, and information in the design of your product or system. Renesas Electronics disclaims any and all liability for any losses and damages incurred by you or third parties arising from the use of these circuits, software, or information.
2. Renesas Electronics hereby expressly disclaims any warranties against and liability for infringement or any other claims involving patents, copyrights, or other intellectual property rights of third parties, by or arising from the use of Renesas Electronics products or technical information described in this document, including but not limited to, the product data, drawings, charts, programs, algorithms, and application examples.
3. No license, express, implied or otherwise, is granted hereby under any patents, copyrights or other intellectual property rights of Renesas Electronics or others.
4. You shall not alter, modify, copy, or reverse engineer any Renesas Electronics product, whether in whole or in part. Renesas Electronics disclaims any and all liability for any losses or damages incurred by you or third parties arising from such alteration, modification, copying or reverse engineering.
5. Renesas Electronics products are classified according to the following two quality grades: "Standard" and "High Quality". The intended applications for each Renesas Electronics product depends on the product's quality grade, as indicated below.
"Standard": Computers; office equipment; communications equipment; test and measurement equipment; audio and visual equipment; home electronic appliances; machine tools; personal electronic equipment; industrial robots; etc.
"High Quality": Transportation equipment (automobiles, trains, ships, etc.); traffic control (traffic lights); large-scale communication equipment; key financial terminal systems; safety control equipment; etc.
Unless expressly designated as a high reliability product or a product for harsh environments in a Renesas Electronics data sheet or other Renesas Electronics document, Renesas Electronics products are not intended or authorized for use in products or systems that may pose a direct threat to human life or bodily injury (artificial life support devices or systems; surgical implantations; etc.), or may cause serious property damage (space system; undersea repeaters; nuclear power control systems; aircraft control systems; key plant systems; military equipment; etc.). Renesas Electronics disclaims any and all liability for any damages or losses incurred by you or any third parties arising from the use of any Renesas Electronics product that is inconsistent with any Renesas Electronics data sheet, user's manual or other Renesas Electronics document.
6. When using Renesas Electronics products, refer to the latest product information (data sheets, user's manuals, application notes, "General Notes for Handling and Using Semiconductor Devices" in the reliability handbook, etc.), and ensure that the usage conditions are within the ranges specified by Renesas Electronics with respect to maximum ratings, operating power supply voltage range, heat dissipation characteristics, installation, etc. Renesas Electronics disclaims any and all liability for any malfunctions, failure or accident arising out of the use of Renesas Electronics products outside of such specified ranges.
7. Although Renesas Electronics endeavors to improve the quality and reliability of Renesas Electronics products, semiconductor products have specific characteristics, such as the occurrence of failure at a certain rate and malfunctions under certain use conditions. Unless designated as a high reliability product or a product for harsh environments in a Renesas Electronics data sheet or other Renesas Electronics document, Renesas Electronics products are not subject to radiation resistance design. You are responsible for implementing safety measures to guard against the possibility of bodily injury, injury or damage caused by fire, and/or danger to the public in the event of a failure or malfunction of Renesas Electronics products, such as safety design for hardware and software, including but not limited to redundancy, fire control and malfunction prevention, appropriate treatment for aging degradation or any other appropriate measures. Because the evaluation of microcomputer software alone is very difficult and impractical, you are responsible for evaluating the safety of the final products or systems manufactured by you.
8. Please contact a Renesas Electronics sales office for details as to environmental matters such as the environmental compatibility of each Renesas Electronics product. You are responsible for carefully and sufficiently investigating applicable laws and regulations that regulate the inclusion or use of controlled substances, including without limitation, the EU RoHS Directive, and using Renesas Electronics products in compliance with all these applicable laws and regulations. Renesas Electronics disclaims any and all liability for damages or losses occurring as a result of your noncompliance with applicable laws and regulations.
9. Renesas Electronics products and technologies shall not be used for or incorporated into any products or systems whose manufacture, use, or sale is prohibited under any applicable domestic or foreign laws or regulations. You shall comply with any applicable export control laws and regulations promulgated and administered by the governments of any countries asserting jurisdiction over the parties or transactions.
10. It is the responsibility of the buyer or distributor of Renesas Electronics products, or any other party who distributes, disposes of, or otherwise sells or transfers the product to a third party, to notify such third party in advance of the contents and conditions set forth in this document.
11. This document shall not be reprinted, reproduced or duplicated in any form, in whole or in part, without prior written consent of Renesas Electronics.
12. Please contact a Renesas Electronics sales office if you have any questions regarding the information contained in this document or Renesas Electronics products.
(Note 1) "Renesas Electronics" as used in this document means Renesas Electronics Corporation and also includes its directly or indirectly controlled subsidiaries.
(Note 2) "Renesas Electronics product(s)" means any product developed or manufactured by or for Renesas Electronics.

以下“注意事项”为从英语原稿翻译的中文译文，仅作为参考译文，英文版的“Notice”具有正式效力。

注意事项

1. 本文件中所记载的关于电路、软件和其他相关信息仅用于说明半导体产品的操作和应用实例。用户如在产品或系统设计中应用本文件中的电路、软件和相关信息或将此等内容用于其他目的时，请自行负责。对于用户或第三方因使用上述电路、软件或信息而遭受的任何损失和损害，瑞萨电子不承担任何责任。
2. 瑞萨电子在此明确声明，对于因使用瑞萨电子产品或本文件中所述技术信息（包括但不限于产品数据、图、表、程序、算法、应用实例）而造成的与第三方专利、版权或其他知识产权相关的侵权或任何其他索赔，瑞萨电子不作任何保证并不承担责任。
3. 本文件中记载的内容不应视为对瑞萨电子或其他人所有的专利、版权或其他知识产权作出任何明示、默示或其它方式的许可及授权。
4. 用户不得对瑞萨电子的任何产品进行全部或部分更改、修改、复制或反向工程。对于用户或第三方因上述更改、修改、复制或反向工程的行为而遭受的任何损失或损害，瑞萨电子不承担任何责任。
5. 瑞萨电子产品根据其质量等级分为两个等级：“标准等级”和“高质量等级”。每种瑞萨电子产品的预期用途均取决于产品的质量等级，如下所示：
标准等级：计算机、办公设备、通讯设备、测试和测量设备、视听设备、家用电器、机械工具、个人电子设备、工业机器人等。
高质量等级：运输设备（汽车、火车、轮船等）、交通控制系统（交通信号灯）、大型通讯设备、关键金融终端系统、安全控制设备等。
除非瑞萨电子产品数据表或其他瑞萨电子文档中明确指定为高可靠性产品或用于恶劣环境的产品，否则瑞萨电子产品不能用于、亦未授权用于可能对人类生命造成直接威胁的产品或系统及可能造成人身伤害的产品或系统（人工生命维持装置或系统、植入于体内的装置等）中，或者可能造成重大财产损失的产品或系统（太空系统、海底增音机、核能控制系统、飞机控制系统、关键装置系统、军用设备等）中。对于用户或任何第三方因使用不符合瑞萨电子产品数据表、使用说明书或其他瑞萨电子文档的瑞萨电子产品而遭受的任何损害或损失，瑞萨电子不承担任何责任。
6. 使用瑞萨电子产品时，请参阅最新产品信息（数据表、使用说明书、应用指南、可靠性手册中的“半导体元件处理和一般注意事项”等），并确保使用条件在瑞萨电子指定的最大额定值、电源工作电压范围、散热特性、安装条件等范围内使用。对于在上述指定范围之外使用瑞萨电子产品而产生的任何故障、失效或事故，瑞萨电子不承担任何责任。
7. 虽然瑞萨电子一直致力于提高瑞萨电子产品的质量和可靠性，但是，半导体产品有其自身的具体特性，如一定的故障发生率以及在某些使用条件下会发生故障等。除非瑞萨电子产品数据表或其他瑞萨电子文档中指定为高可靠性产品或用于恶劣环境的产品，否则瑞萨电子产品未进行防辐射设计。用户负责执行安全措施，以避免因瑞萨电子产品失效或发生故障而造成人身伤害、火灾导致伤害或损害和/或其他对公众构成危险事故。例如进行软硬件安全设计（包括但不限于冗余设计、防火控制以及故障预防等）、适当的老化处理或其他适当的措施等。由于对微机电软件单独进行评估非常困难且并不实际，所以请用户自行负责对最终产品或系统进行安全评估。
8. 关于环境保护方面的详细内容，例如每种瑞萨电子产品的环境兼容性等，请与瑞萨电子的营业部门联系。用户负责仔细并充分查阅对管制物质的使用或含量进行管理的所有适用法律法规（包括但不限于《欧盟RoHS指令》），并在使用瑞萨电子产品时遵守所有适用法律法规。对于因用户未遵守相应适用法律法规而导致的损害或损失，瑞萨电子不承担任何责任。
9. 不可将瑞萨电子产品和技术用于或者嵌入日本国内或海外相应的法律法规所禁止生产、使用及销售的任何产品或系统中。也不可将瑞萨电子产品或技术用于(1)与大规模杀伤性武器（例如核武器、化学武器、生物武器或运这些武器的导弹，包括无人机(UAV)的开发、设计、制造、使用、存储等相关的任何目的；(2)与常规武器的开发、设计、制造或使用相关的任何目的；(3)扰乱国际和平与安全的任何其他目的，并且不可向任何第三方销售、出口、租赁、转让、或让与瑞萨电子产品或技术，无论直接或间接知悉或者有理由知悉该第三方或任何其他方将从从事上述活动。用户必须遵守对各方或交易行司法管辖权的任意国家和地区政府所公布和管理的任何适用出口管制法律法规。
10. 瑞萨电子产品的买方或分销商，或者分销、处置产品，或以其他方式向第三方出售或转让产品的任何其他方有责任事先向所述第三方通知本文件规定的内容和条件。
11. 在事先未得到瑞萨电子书面认可的情况下，不得以何种形式部分或全部再版、转载或复制本文件。
12. 如果对本文件所记载的信息或瑞萨电子产品有任何疑问，请向瑞萨电子的营业部门咨询。
(注1) 瑞萨电子：在本文件中指瑞萨电子株式会社及其控股子公司。
(注2) 瑞萨电子产品：指瑞萨电子开发或生产的任何产品。

(Rev.4.0-1 November 2017)



Renesas Electronics Corporation

<http://www.renesas.com>

SALES OFFICES

Refer to "<http://www.renesas.com/>" for the latest and detailed information.

Renesas Electronics Corporation

TOYOSU FORESIA, 3-2-24 Toyosu, Koto-ku, Tokyo 135-0061, Japan

Renesas Electronics America Inc.

1001 Murphy Ranch Road, Milpitas, CA 95035, U.S.A.
Tel: +1-408-432-8888, Fax: +1-408-434-5351

Renesas Electronics Canada Limited

9251 Yonge Street, Suite 8309 Richmond Hill, Ontario Canada L4C 9T3
Tel: +1-905-237-2004

Renesas Electronics Europe Limited

Dukes Meadow, Millboard Road, Bourne End, Buckinghamshire, SL8 5FH, U.K.
Tel: +44-1628-651-700

Renesas Electronics Europe GmbH

ArCADiasstrasse 10, 40472 Düsseldorf, Germany
Tel: +49-211-6503-0, Fax: +49-211-6503-1322

Renesas Electronics (China) Co., Ltd.

Room 1709 Quantum Plaza, No.27 ZhichunLu, Haidian District, Beijing, 100191 P. R. China
Tel: +86-10-8235-1155, Fax: +86-10-8235-7679

Renesas Electronics (Shanghai) Co., Ltd.

Unit 301, Tower A, Central Towers, 555 Langan Road, Putuo District, Shanghai, 200333 P. R. China
Tel: +86-21-2226-0898, Fax: +86-21-2226-0989

Renesas Electronics Hong Kong Limited

Unit 1601-1611, 16/F., Tower 2, Grand Century Place, 193 Prince Edward Road West, Mongkok, Kowloon, Hong Kong
Tel: +852-2265-6688, Fax: +852-2886-9022

Renesas Electronics Taiwan Co., Ltd.

13F, No. 363, Fu Shing North Road, Taipei 10543, Taiwan
Tel: +886-2-8175-9600, Fax: +886-2-8175-9670

Renesas Electronics Singapore Pte. Ltd.

80 Bendemeer Road, Unit #06-02 Hyflux Innovation Centre, Singapore 339949
Tel: +65-6213-0200, Fax: +65-6213-0300

Renesas Electronics Malaysia Sdn.Bhd.

Unit 1207, Block B, Menara Amcorp, Amcorp Trade Centre, No. 18, Jln Persiaran Barat, 46050 Petaling Jaya, Selangor Darul Ehsan, Malaysia
Tel: +60-3-7955-9390, Fax: +60-3-7955-9510

Renesas Electronics India Pvt. Ltd.

No.77C, 100 Feet Road, HAL 2nd Stage, Indiranagar, Bangalore 560 038, India
Tel: +91-80-67208700, Fax: +91-80-67208777

Renesas Electronics Korea Co., Ltd.

17F, KAMCO Yangjae Tower, 262, Gangnam-daero, Gangnam-gu, Seoul, 06265 Korea
Tel: +82-2-558-3737, Fax: +82-2-558-8338

© 2019 Renesas Electronics Corporation. All rights reserved.

Colophon 7.2

Mouser Electronics

Authorized Distributor

Click to View Pricing, Inventory, Delivery & Lifecycle Information:

[Renesas Electronics:](#)

[RTK0EMX990C00000BJ](#)