

# REAR56958BG

R03DS0171EJ0100

Rev.1.00

2021.10.4

## Voltage Detecting, System Resetting IC Series

### Description

REAR56958B is the semiconductor integrated circuit for resetting of all types of logic circuits such as CPUs, and has the feature of setting the detection voltage by adding external resistance.

They include a built-in delay circuit to provide the desired retardation time simply by adding an external capacitor.

They find extensive applications, including battery checking circuit, level detecting circuit and waveform shaping circuit.

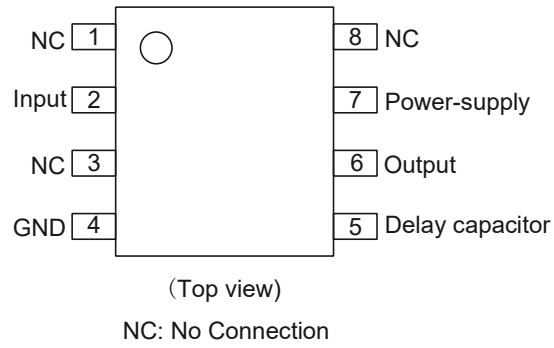
### Features

- Few external parts
- Large delay time with a capacitor of small capacitance ( $t_d \approx 100\text{ms}$ , at  $0.33\mu\text{F}$ )
- Wide supply voltage range: 2V to 17V
- Wide application range

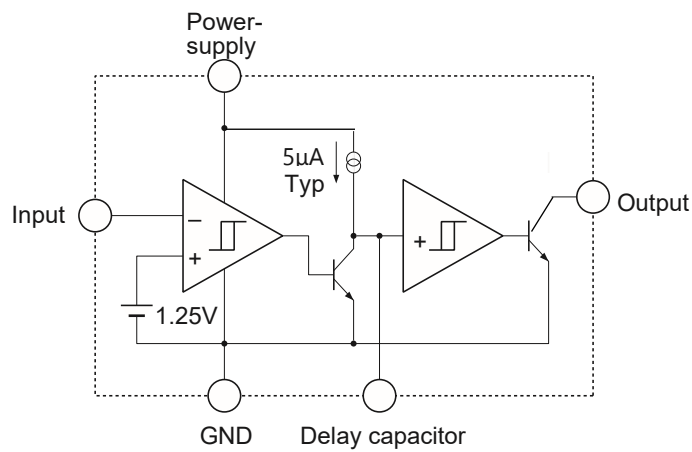
### Ordering Information

Package Type	SOP
Part Name	REAR56958BGSM
Product Type Quality Level	Normal Quality Level
Outline	<p style="text-align: right;">Unit : mm</p>

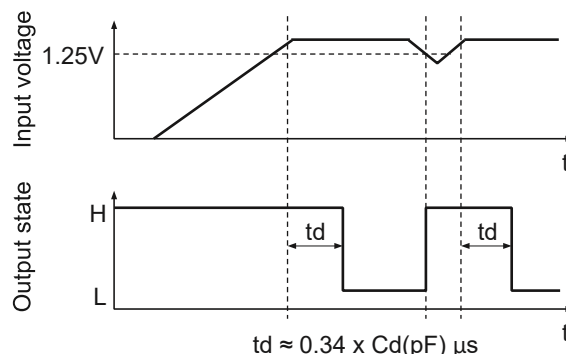
## Pin Arrangement



## Block Diagram



## Operating Waveform



## Absolute Maximum Ratings

(T<sub>a</sub>=25°C, unless otherwise noted)

Item	Symbol	Ratings	Unit	Conditions
Supply Voltage	V <sub>CC</sub>	-0.3 to +18	V	
Output Sink Current	I <sub>SINK</sub>	6	mA	
Output Applied Voltage	V <sub>O</sub>	-0.3 to +18	V	Type B (open collector output)
Total Power Dissipation	P <sub>d</sub>	440	mW	
Thermal Derating	K <sub>θ</sub>	4.4	mW/°C	Refer to the thermal derating curve.
Operating Temperature	T <sub>opr</sub>	-40 to +85	°C	
Storage temperature	T <sub>stg</sub>	-55 to +125	°C	
Input Voltage Range	V <sub>IN</sub>	-0.3 to V <sub>CC</sub>	V	V <sub>CC</sub> ≤ 7V
		-0.3 to +7		V <sub>CC</sub> > 7V

## Recommended Operating Condition

Item	Symbol	MIN.	TYP.	MAX.	Unit
Supply Voltage	V <sub>CC</sub>	2		17	V

## Electrical Characteristics

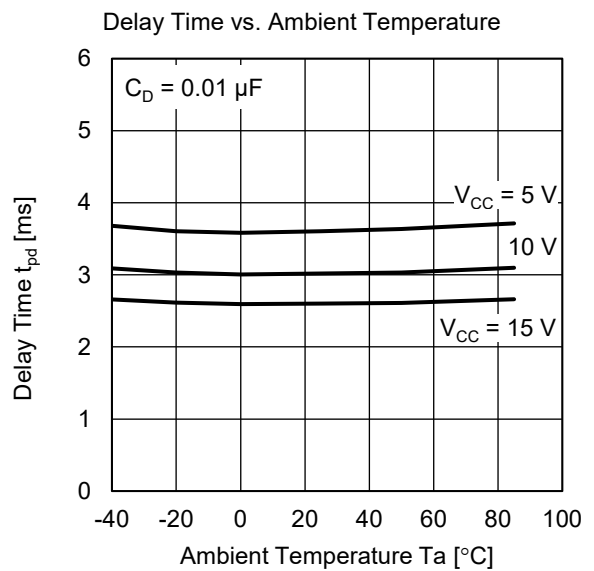
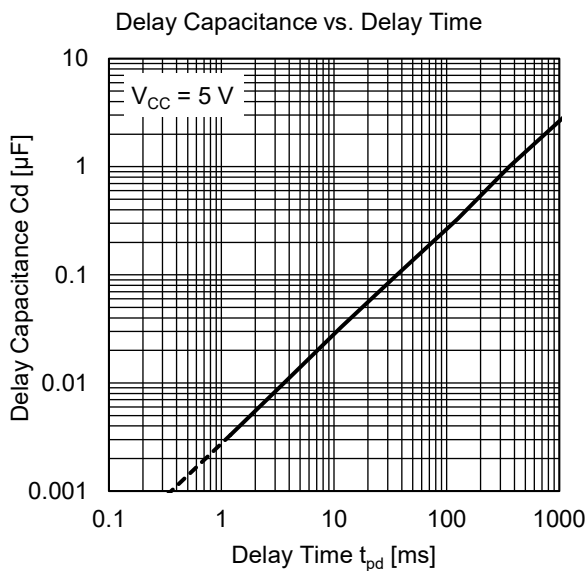
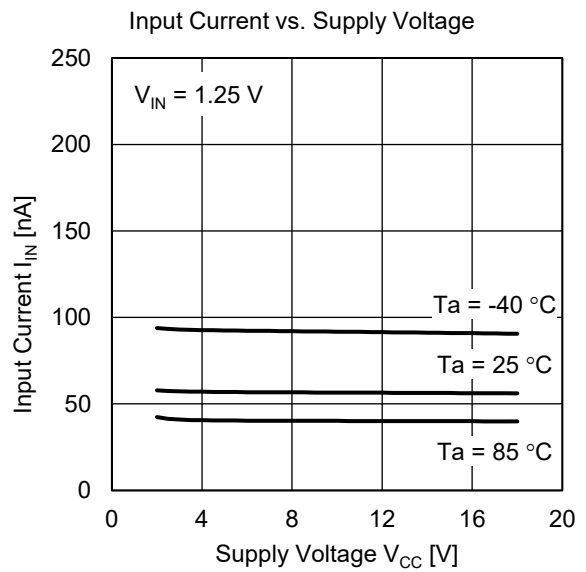
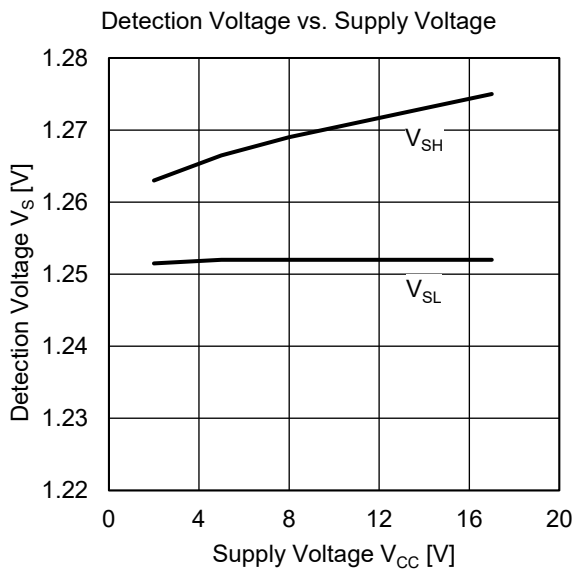
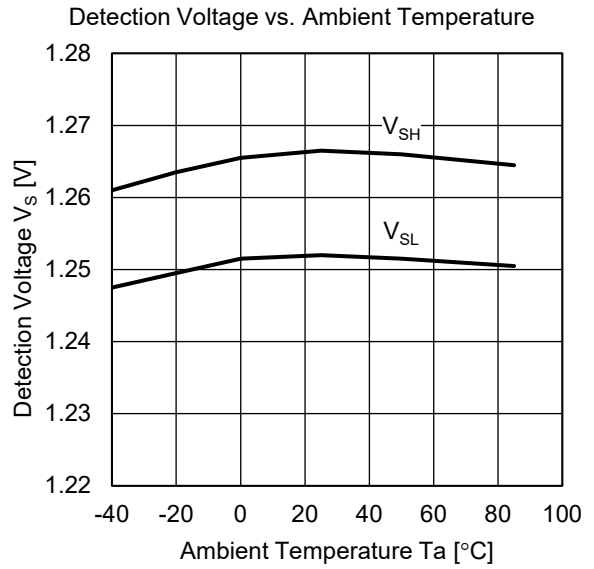
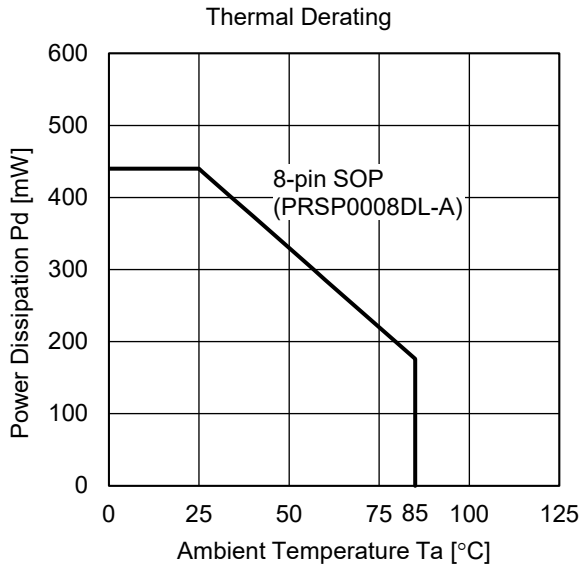
(T<sub>a</sub>=25°C, unless otherwise noted)

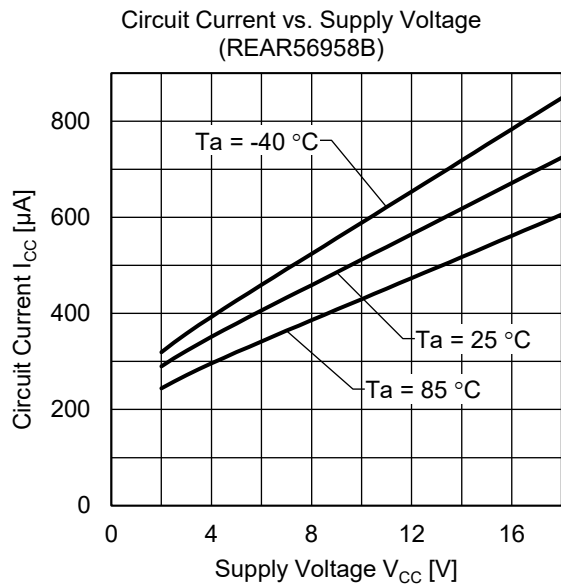
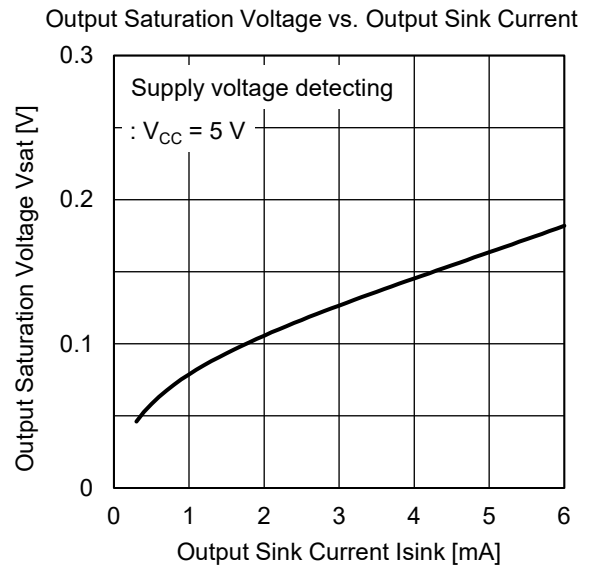
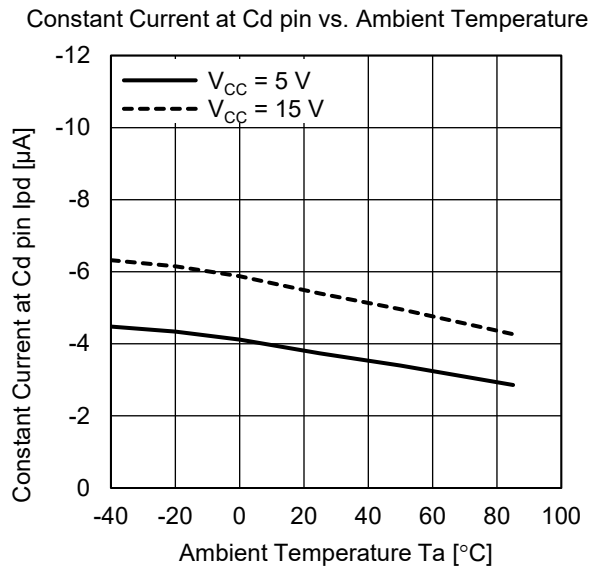
## ● "H" Reset Type

Item	Symbol	Min	Typ.	Max.	Unit	Test Conditions
Detecting Voltage	V <sub>S</sub>	1.20	1.25	1.30	V	
Hysteresis Voltage	ΔV <sub>S</sub>	9	15	23	mV	V <sub>CC</sub> = 5V
Detecting Voltage Temperature Coefficient	V <sub>S</sub> /ΔT		0.01		%/°C	
Supply Voltage Range	V <sub>CC</sub>	2		17	V	
Input Voltage Range	V <sub>IN</sub>	-0.3		V <sub>CC</sub>	V	V <sub>CC</sub> ≤ 7V
		-0.3		7.0		V <sub>CC</sub> > 7V
Input Current	I <sub>IN</sub>		100	500	nA	V <sub>IN</sub> = 1.25V
Circuit Current	I <sub>CC</sub>		360	540	μA	Type B, V <sub>CC</sub> = 5V
Delay Time	T <sub>pd</sub>	1.6	3.4	7.0	ms	C <sub>d</sub> = 0.01μF <sup>Note.1</sup>
Constant Current	I <sub>pd</sub>	-8	-5	-3	μA	V <sub>CC</sub> = 5V
Output Saturation Voltage	V <sub>sat</sub>		0.2	0.4	V	V <sub>CC</sub> = 5V, V <sub>IN</sub> > 1.35V, I <sub>SINK</sub> = 4mA
Output Leakage Current	I <sub>OH</sub>			30	nA	Type B, V <sub>out</sub> ≤ 17V

【Note】 1. Please set the desired delay time by attaching capacitor of the range between 4700pF and 10μF.

Typical Characteristics

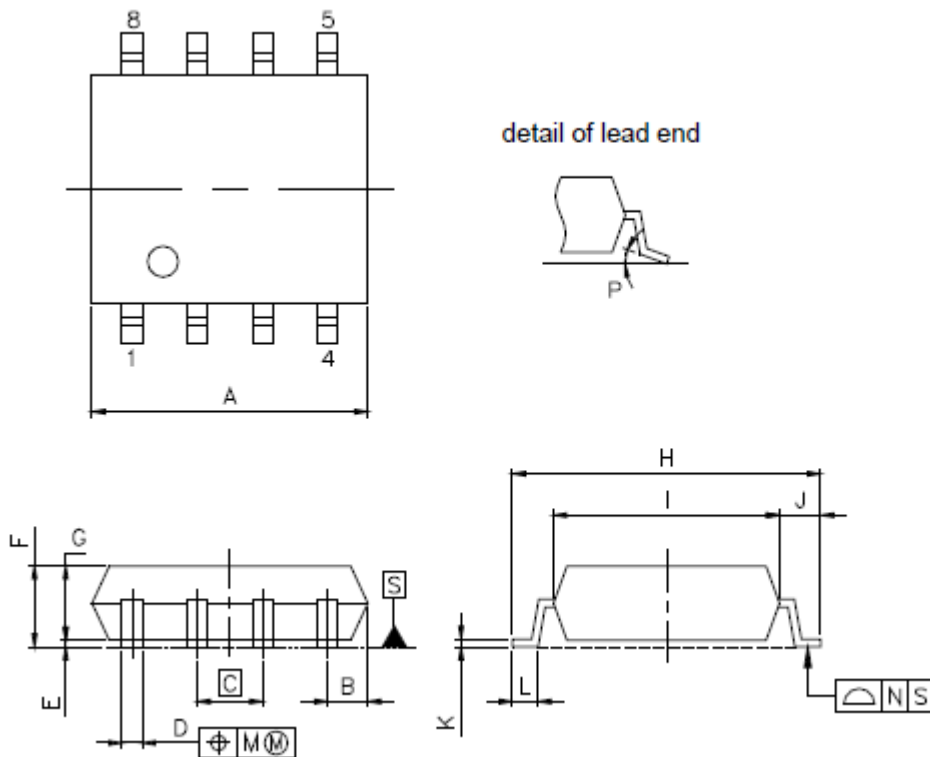




8-PIN PLASTIC SOP

JEITA Package code	RENESAS code	Previous code	MASS (TYP.) [g]
P-SOP8-0225-1.27	PRSP0008DL-A	S8GM-50-225B	0.08

Unit: mm



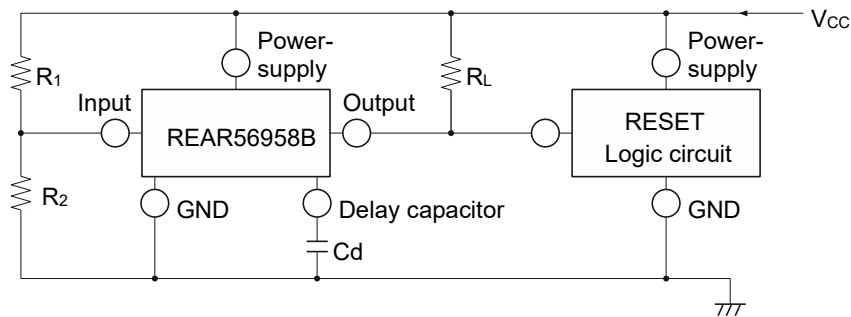
**NOTE**

Each lead centerline is located within 0.12 mm of its true position (T.P.) at maximum material condition.

ITEM	MILLIMETERS
A	5.2 <sup>+0.17</sup> <sub>-0.20</sub>
B	0.78 MAX
C	1.27 (T.P)
D	0.42 <sup>+0.08</sup> <sub>-0.07</sub>
E	0.1 ±0.1
F	1.59 ±0.21
G	1.49
H	6.5 ±0.3
I	4.4 ±0.15
J	1.1 ±0.2
K	0.17 <sup>+0.08</sup> <sub>-0.07</sub>
L	0.6 ±0.2
M	0.12
N	0.10
P	3° <sup>+7°</sup> <sub>-3°</sub>

## Example of Application Circuit

### Reset Circuit of REAR56958B



Reset Circuit of REAR56958B

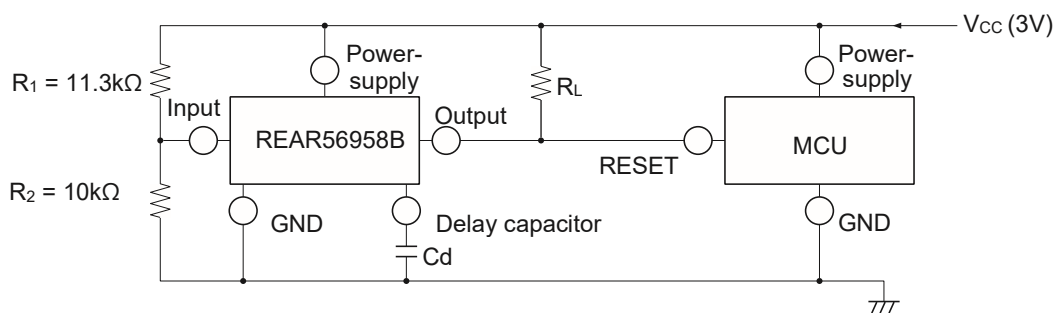
- Notes :
1. The detecting supply voltage is  $V_S \times (R_1 + R_2)/R_2$  (V) approximately.  $V_S = 1.25$  V (Typ)  
The detecting supply voltage can be set between 2 V and 15 V
  2. The delay time is about  $0.34 \times C_d$  (pF)  $\mu$ s.
  3. The logic circuit preferably should not have a pull-down resistor, but if one is present, add load resistor  $R_L$  to overcome the pull-down resistor.
  4. When a negative supply voltage is used, the supply voltage side of REAR56958B and the GND side are connected to negative supply voltage respectively.

### Application Example on 3V Microcontroller System

The input voltage detection type can be used for voltage monitoring of 3V microcontroller system as shown on Figure .

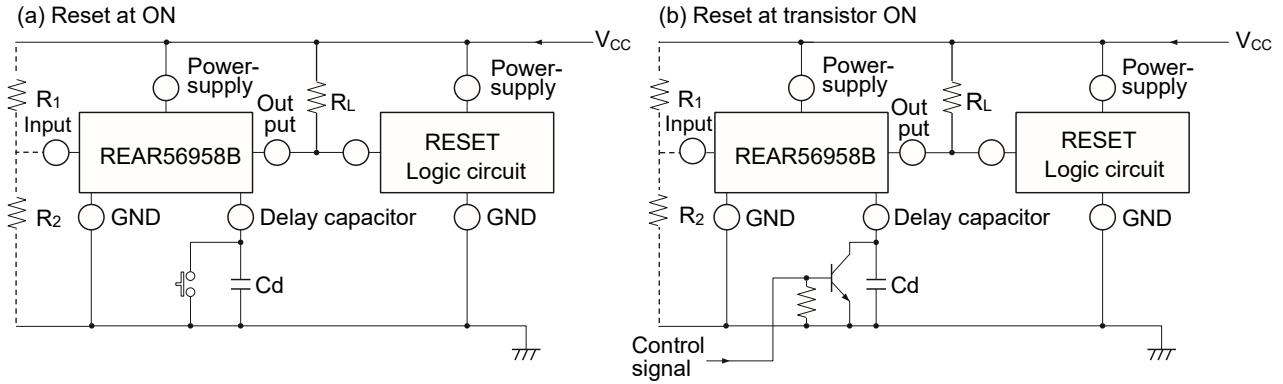
The constant in Figure sets the detection voltage to 2.66V (TYP). However, the detection voltage can be adjusted by changing  $R_1$  or  $R_2$ .

The detection accuracy of the IC alone is  $\pm 4\%$ .



Application Example on 3V Microcontroller System

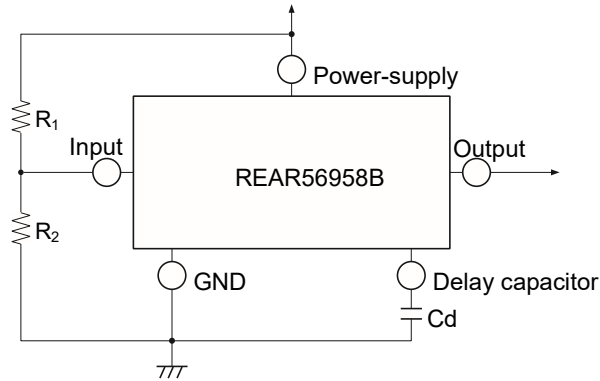
Case of Using Reset Signal except Supply Voltage in the REAR56958B



Case of Using Reset Signal except Supply Voltage in the REAR56958B

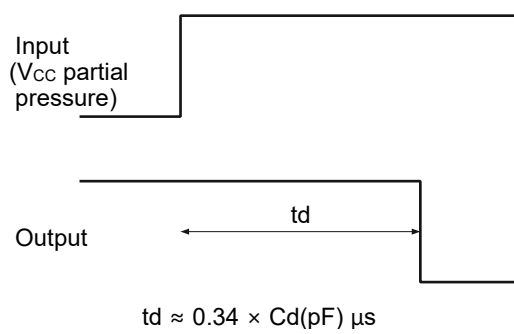
Delay Waveform Generating Circuit

When REAR56958B are used, a waveform with a large delay time can generate only by adding a small capacitor.



Delay Waveform Generating Circuit

Operating Waveform



Operating Waveform



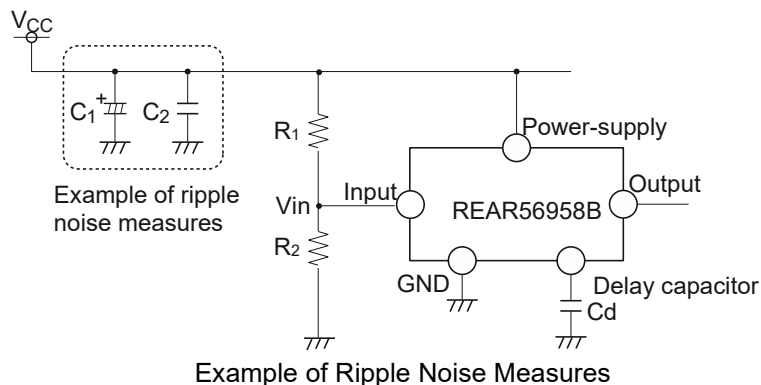
Notice for use

About the Power Supply Line

1. About bypass capacitor

Because the ripple and the spike of the high frequency noise and the low frequency are superimposed to the power supply line, it is necessary to remove these.

Therefore, please install C<sub>1</sub> and C<sub>2</sub> for the low frequency and for the high frequency between the power supply line and the GND line as shown in following figure.



2. The sequence of voltage impression

Please do not impress the voltages to the input terminals earlier than the power supply terminal.

Moreover, please do not open the power supply terminal with the voltage impressed to the input terminal. (The setting of the bias of an internal circuit collapses, and a parasitic element might operate.)

About the Input Terminal

1. Setting range of input voltage

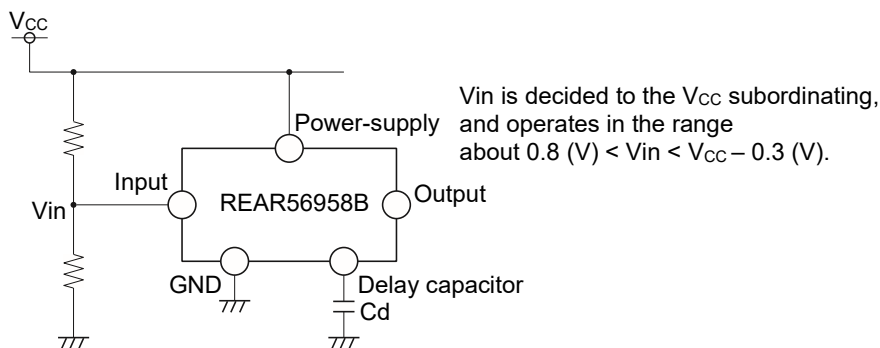
The following voltage is recommended to be input to the input terminal (pin 2).

$$\text{about } 0.8 \text{ (V)} < V_{in} < V_{CC} - 0.3 \text{ (V)} \dots \text{ at } V_{CC} \leq 7 \text{ V}$$

$$\text{about } 0.8 \text{ (V)} < V_{in} < 6.7 \text{ (V)} \dots \dots \dots \text{ at } V_{CC} > 7 \text{ V}$$

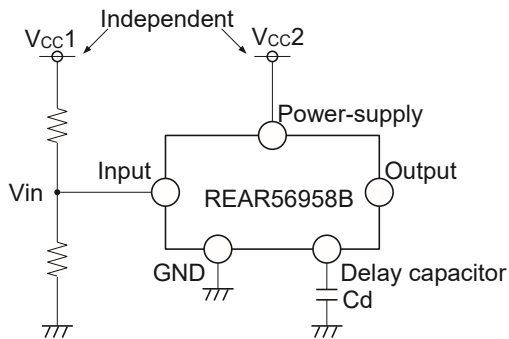
2. About using input terminal

Please do an enough verification to the transition characteristic etc. of the power supply when using independent power supply to input terminal (pin 2).

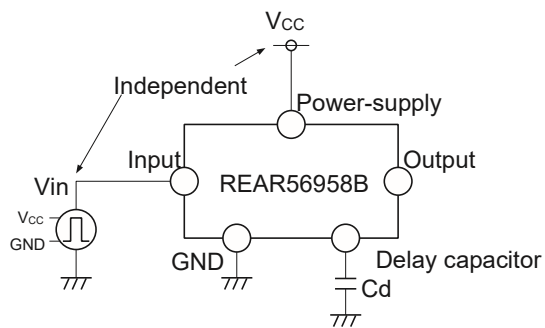


V<sub>in</sub> is decided to the V<sub>CC</sub> subordinating, and operates in the range about 0.8 (V) < V<sub>in</sub> < V<sub>CC</sub> - 0.3 (V).

Recommended Example of Circuit



Example 1. Independent power supply system  
Please do enough verifying about transition characteristic of Vcc1 and Vcc2.



Example 2. Logic pulse input  
(not recommended)

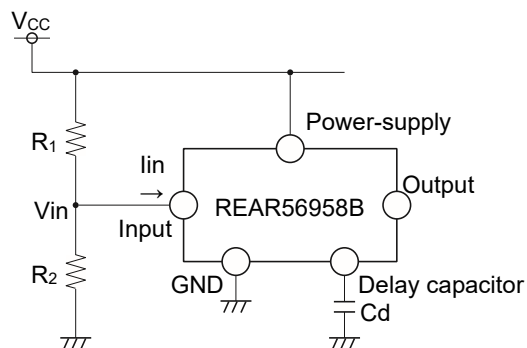
3. Calculation of detecting voltage

Detecting voltage Vs can be calculated by the following expression.

However, the error margin is caused in the detecting voltage because input current Iin (standard 100 nA) exists if it sets too big resistance.

Please set the constant to disregard this error margin.

$$V_s = 1.25 \times \left( \frac{R_1 + R_2}{R_2} \right) + \frac{I_{in} \times R_1}{\text{error margin}}$$



Influence of Input Current

4. About the voltage input outside ratings

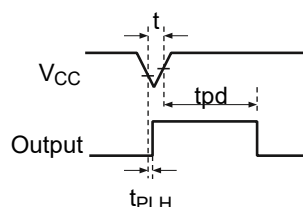
Please do not input the voltage outside ratings to the input terminal.

An internal protection diode becomes order bias, and a large current flows.

Setting of Delay Capacity

Please use capacitor Cd for the delay within the range of 10 μF or less.

When a value that is bigger than this is set, the problem such as following (1), (2), and (3) becomes remarkable.



Time Chart at Momentary Voltage-Decrease

## (1) The difference at delay time becomes remarkable.

A long delay setting of tens of seconds is fundamentally possible. However, when set delay time is lengthened, the range of the difference relatively grows, too. When a set value is assumed to be 'tpd', the difference occurs in the range from  $0.47 \times \text{tpd}$  to  $2.05 \times \text{tpd}$ . For instance, 34 seconds can be calculated at  $100 \mu\text{F}$ . However, it is likely to vary within the ranges of 16-70 seconds.

## (2) Difficulty to react to a momentary voltage decrease.

For example, the reaction time  $t_{\text{PLH}}$  is  $10 \mu\text{s}$  when delay capacitor  $C_d = 0.1 \mu\text{F}$ .

The momentary voltage-decrease that is longer than such  $t_{\text{PLH}}$  are occurs, the detection becomes possible. When the delay capacitance is enlarged,  $t_{\text{PLH}}$  also becomes long. For instance, it becomes about 100 to 200  $\mu\text{s}$  in case of circuit constant  $C_1 = 100 \mu\text{F}$ .

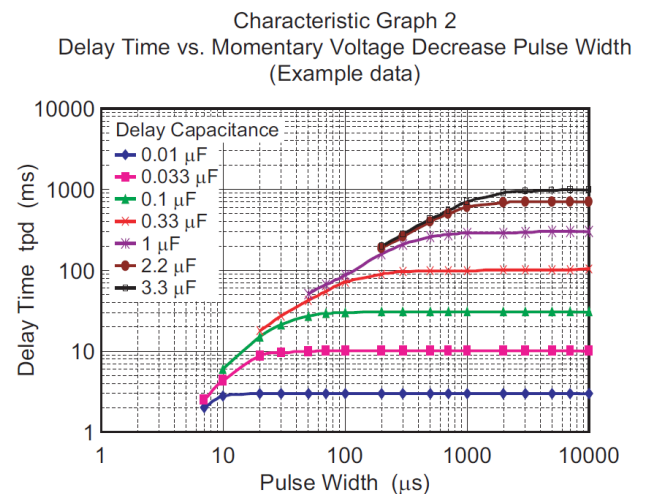
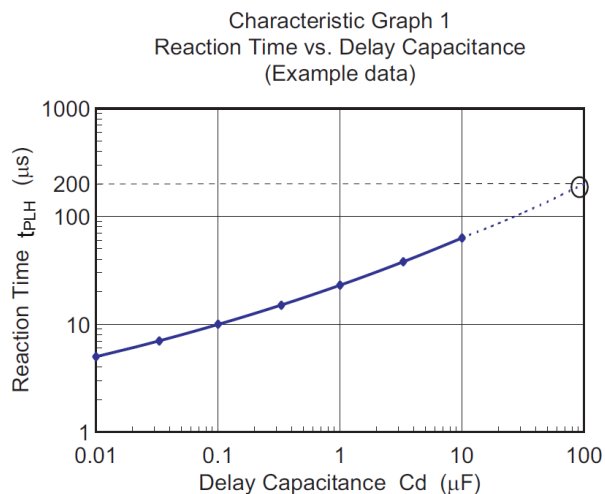
(Characteristic graph 1 is used and extrapolation in case of  $C_d = 100 \mu\text{F}$ .)

Therefore, it doesn't react to momentary voltage-decrease that is shorter than this.

## (3) Original delay time is not obtained.

When the momentary voltage-decrease time 't' is equivalent to  $t_{\text{PLH}}$ , the discharge becomes insufficient and the charge starts at that state. This phenomenon occurs at large capacitance. And, original delay time tpd is not obtained.

Please refer to characteristic graph 2. (Delay time versus input pulse width)

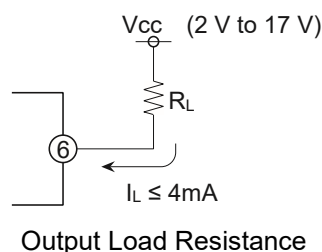


Characteristic Graph

### Setting of Output Load Resistance (REAR56958B)

High level output voltage can be set without depending on the power-supply voltage because the output terminal is an open collector type. However, please guard the following notes.

1. Please set it in value (2 V to 17 V) within the range of the power-supply voltage recommendation. Moreover, please never impress the voltage of maximum ratings 18 V or more even momentarily either.
2. Please set output load resistance (pull-up resistance)  $R_L$  so that the output current (output inflow current  $I_L$ ) at L level may become 4 mA or less. Moreover, please never exceed absolute maximum rating (6 mA).



## Notice

- Descriptions of circuits, software and other related information in this document are provided only to illustrate the operation of semiconductor products and application examples. You are fully responsible for the incorporation or any other use of the circuits, software, and information in the design of your product or system. Renesas Electronics disclaims any and all liability for any losses and damages incurred by you or third parties arising from the use of these circuits, software, or information.
- Renesas Electronics hereby expressly disclaims any warranties against and liability for infringement or any other claims involving patents, copyrights, or other intellectual property rights of third parties, by or arising from the use of Renesas Electronics products or technical information described in this document, including but not limited to, the product data, drawings, charts, programs, algorithms, and application examples.
- No license, express, implied or otherwise, is granted hereby under any patents, copyrights or other intellectual property rights of Renesas Electronics or others.
- You shall not alter, modify, copy, or reverse engineer any Renesas Electronics product, whether in whole or in part. Renesas Electronics disclaims any and all liability for any losses or damages incurred by you or third parties arising from such alteration, modification, copying or reverse engineering.
- Renesas Electronics products are classified according to the following two quality grades: "Standard" and "High Quality". The intended applications for each Renesas Electronics product depends on the product's quality grade, as indicated below.  
"Standard": Computers; office equipment; communications equipment; test and measurement equipment; audio and visual equipment; home electronic appliances; machine tools; personal electronic equipment; industrial robots; etc.  
"High Quality": Transportation equipment (automobiles, trains, ships, etc.); traffic control (traffic lights); large-scale communication equipment; key financial terminal systems; safety control equipment; etc.  
Unless expressly designated as a high reliability product or a product for harsh environments in a Renesas Electronics data sheet or other Renesas Electronics document, Renesas Electronics products are not intended or authorized for use in products or systems that may pose a direct threat to human life or bodily injury (artificial life support devices or systems; surgical implantations; etc.), or may cause serious property damage (space system; undersea repeaters; nuclear power control systems; aircraft control systems; key plant systems; military equipment; etc.). Renesas Electronics disclaims any and all liability for any damages or losses incurred by you or any third parties arising from the use of any Renesas Electronics product that is inconsistent with any Renesas Electronics data sheet, user's manual or other Renesas Electronics document.
- When using Renesas Electronics products, refer to the latest product information (data sheets, user's manuals, application notes, "General Notes for Handling and Using Semiconductor Devices" in the reliability handbook, etc.), and ensure that the usage conditions are within the ranges specified by Renesas Electronics with respect to maximum ratings, operating power supply voltage range, heat dissipation characteristics, installation, etc. Renesas Electronics disclaims any and all liability for any malfunctions, failure or accident arising out of the use of Renesas Electronics products outside of such specified ranges.
- Although Renesas Electronics endeavors to improve the quality and reliability of Renesas Electronics products, semiconductor products have specific characteristics, such as the occurrence of failure at a certain rate and malfunctions under certain use conditions. Unless designated as a high reliability product or a product for harsh environments in a Renesas Electronics data sheet or other Renesas Electronics document, Renesas Electronics products are not subject to radiation resistance design. You are responsible for implementing safety measures to guard against the possibility of bodily injury, injury or damage caused by fire, and/or danger to the public in the event of a failure or malfunction of Renesas Electronics products, such as safety design for hardware and software, including but not limited to redundancy, fire control and malfunction prevention, appropriate treatment for aging degradation or any other appropriate measures. Because the evaluation of microcomputer software alone is very difficult and impractical, you are responsible for evaluating the safety of the final products or systems manufactured by you.
- Please contact a Renesas Electronics sales office for details as to environmental matters such as the environmental compatibility of each Renesas Electronics product. You are responsible for carefully and sufficiently investigating applicable laws and regulations that regulate the inclusion or use of controlled substances, including without limitation, the EU RoHS Directive, and using Renesas Electronics products in compliance with all these applicable laws and regulations. Renesas Electronics disclaims any and all liability for damages or losses occurring as a result of your noncompliance with applicable laws and regulations.
- Renesas Electronics products and technologies shall not be used for or incorporated into any products or systems whose manufacture, use, or sale is prohibited under any applicable domestic or foreign laws or regulations. You shall comply with any applicable export control laws and regulations promulgated and administered by the governments of any countries asserting jurisdiction over the parties or transactions.
- It is the responsibility of the buyer or distributor of Renesas Electronics products, or any other party who distributes, disposes of, or otherwise sells or transfers the product to a third party, to notify such third party in advance of the contents and conditions set forth in this document.
- This document shall not be reprinted, reproduced or duplicated in any form, in whole or in part, without prior written consent of Renesas Electronics.
- Please contact a Renesas Electronics sales office if you have any questions regarding the information contained in this document or Renesas Electronics products.  
(Note 1) "Renesas Electronics" as used in this document means Renesas Electronics Corporation and also includes its directly or indirectly controlled subsidiaries.  
(Note 2) "Renesas Electronics product(s)" means any product developed or manufactured by or for Renesas Electronics.

以下“注意事项”为从英语原稿翻译的中文译文，仅作为参考译文，英文版的“Notice”具有正式效力。

## 注意事项

- 本文中记载的关于电路、软件和其他相关信息仅用于说明半导体产品的操作和应用实例。用户如在产品或系统设计中应用本文档中的电路、软件和相关信息或将此等内容用于其他目的时，请自行负责。对于用户或第三方因使用上述电路、软件或信息而遭受的任何损失和损害，瑞萨电子不承担任何责任。
- 瑞萨电子在此明确声明，对于因使用瑞萨电子产品或本文档中所述技术信息（包括但不限于产品数据、图、表、程序、算法、应用实例）而造成的与第三方专利、版权或其他知识产权相关的侵权或任何其他索赔，瑞萨电子不作任何保证并概不承担责任。
- 本文中记载的内容不应视为对瑞萨电子或其他人所有的专利、版权或其他知识产权作出任何明示、默示或其它方式的许可及授权。
- 用户不得对瑞萨电子的任何产品进行全部或部分更改、修改、复制或反向工程。对于用户或第三方因上述更改、修改、复制或反向工程的行为而遭受的任何损失或损害，瑞萨电子不承担任何责任。
- 瑞萨电子产品根据其质量等级分为两个等级：“标准等级”和“高质量等级”。每种瑞萨电子产品的预期用途均取决于产品的质量等级，如下所示：  
标准等级：计算机、办公设备、通讯设备、测试和测量设备、视听设备、家用电器、机械工具、个人电子设备、工业机器人等。  
高质量等级：运输设备（汽车、火车、轮船等）、交通控制系统（交通信号灯）、大型通讯设备、关键金融终端系统、安全控制设备等。  
除非瑞萨电子产品数据表或其他瑞萨电子文档中明确指定为高可靠性产品或用于恶劣环境的产品，否则瑞萨电子产品不能用于、亦未授权用于可能对人类生命造成直接威胁的产品或系统及可能造成人身伤害的产品或系统（人工生命维持装置或系统、植入体内的装置等）中，或者可能造成重大财产损失的产品或系统（太空系统、海底增音机、核能控制系统、飞机控制系统、关键装置系统、军用设备等）中。对于用户或任何第三方因使用不符合瑞萨电子产品数据表、使用说明书或其他瑞萨电子文档的瑞萨电子产品而遭受的任何损害或损失，瑞萨电子不承担任何责任。
- 使用瑞萨电子产品时，请参阅最新产品信息（数据表、使用说明书、应用指南、可靠性手册中的“半导体元件处理和使用一般注意事项”等），并确保使用条件在瑞萨电子指定的最大额定值、电源工作电压范围、散热特性、安装条件等范围内使用。对于在上述指定范围之外使用瑞萨电子产品而产生的任何故障、失效或事故，瑞萨电子不承担任何责任。
- 虽然瑞萨电子一直致力于提高瑞萨电子产品的质量和可靠性，但是，半导体产品有其自身的具体特性，如一定的故障发生率以及在某些使用条件下会发生故障等。除非瑞萨电子产品数据表或其他瑞萨电子文档中指定为高可靠性产品或用于恶劣环境的产品，否则瑞萨电子产品未进行防辐射设计。用户负责执行安全保护措施，以避免因瑞萨电子产品失效或发生故障而造成身体伤害、火灾导致伤害或损害和/或其他对公众构成危险的事故。例如进行软硬件安全设计（包括但不限于冗余设计、防火控制以及故障预防等）、适当的老化处理或其他适当的措施等。由于对微机电软件单独进行评估非常困难且并不实际，所以请用户自行负责对最终产品或系统进行安全评估。
- 关于环境保护方面的详细内容，例如每种瑞萨电子产品的环境兼容性等，请与瑞萨电子的营业部门联系。用户负责仔细并充分查阅对管制物质的使用或含量进行管理的所有适用法律法规（包括但不限于《欧盟RoHS指令》），并在使用瑞萨电子产品时遵守所有适用法律法规。对于因用户未遵守相应适用法律法规而导致的损害或损失，瑞萨电子不承担任何责任。
- 不可将瑞萨电子产品和技术用于或者嵌入日本国内或海外相应的法律法规所禁止生产、使用或销售的任何产品或系统中。也不可将其用于(1)与大规模杀伤性武器（例如核武器、化学武器、生物武器或运送这些武器的导弹，包括无人飞行器(UAV)）的开发、设计、制造、使用、存储等相关的任何目的；(2)与常规武器的开发、设计、制造或使用相关的任何目的；(3)扰乱国际和平与安全的任何其他目的，并且不可向任何第三方销售、出口、租赁、转让、或让与瑞萨电子产品或技术，无论直接或间接知悉或者有理由知悉该第三方或任何其他方将从从事上述活动。用户必须遵守对各方或交易行司法管辖权的任意国家/地区政府所公布和管理的任何适用出口管制法律法规。
- 瑞萨电子产品的买方或分销商，或者分销、处置产品、或以其他方式向第三方出售或转让产品的任何其他方有责任事先向所述第三方通知本文档规定的内容和条件。
- 在事先未得到瑞萨电子书面认可的情况下，不得以任何形式部分或全部再版、转载或复制本文档。
- 如果对本文档所记载的信息或瑞萨电子产品有任何疑问，请向瑞萨电子的营业部门咨询。  
(注1) 瑞萨电子：在本文中指明瑞萨电子株式会社及其控股子公司。  
(注2) 瑞萨电子产品：指瑞萨电子开发或生产的任何产品。

(Rev.4.0-1 November 2017)



Renesas Electronics Corporation

<http://www.renesas.com>

### SALES OFFICES

Refer to "<http://www.renesas.com/>" for the latest and detailed information.

**Renesas Electronics Corporation**  
TOYOSU FORESIA, 3-2-24 Toyosu, Koto-ku, Tokyo 135-0061, Japan

**Renesas Electronics America Inc.**  
1001 Murphy Ranch Road, Milpitas, CA 95035, U.S.A.  
Tel: +1-408-432-8888, Fax: +1-408-434-5351

**Renesas Electronics Canada Limited**  
9251 Yonge Street, Suite 8309 Richmond Hill, Ontario Canada L4C 9T3  
Tel: +1-905-237-2004

**Renesas Electronics Europe GmbH**  
Arcadisstrasse 10, 40472 Düsseldorf, Germany  
Tel: +49-211-6503-0, Fax: +49-211-6503-1327

**Renesas Electronics (China) Co., Ltd.**  
Room 101-T01, Floor 1, Building 7, Yard No. 7, 8th Street, Shangdi, Haidian District, Beijing 100085, China  
Tel: +86-10-8235-1155, Fax: +86-10-8235-7679

**Renesas Electronics (Shanghai) Co., Ltd.**  
Unit 301, Tower A, Central Towers, 555 Lango Road, Putuo District, Shanghai 200333, China  
Tel: +86-21-2226-0695, Fax: +86-21-2226-0599

**Renesas Electronics Hong Kong Limited**  
Unit 1601-1611, 16/F., Tower 2, Grand Century Place, 193 Prince Edward Road West, Mongkok, Kowloon, Hong Kong  
Tel: +852-2265-6688, Fax: +852-2886-9022

**Renesas Electronics Taiwan Co., Ltd.**  
13F, No. 363, Fu Shing North Road, Taipei 10543, Taiwan  
Tel: +886-2-8175-9600, Fax: +886-2-8175-9670

**Renesas Electronics Singapore Pte. Ltd.**  
80 Bendemeer Road, Unit #03-02 Hyflux Innovation Centre, Singapore 339949  
Tel: +65-6213-0200, Fax: +65-6213-0300

**Renesas Electronics Malaysia Sdn.Bhd.**  
Unit No 3A-1 Level 3A Tower 8 UOA Business Park, No 1 Jalan Pengaturcara U1/51A, Seksyen U1, 40150 Shah Alam, Selangor, Malaysia  
Tel: +60-3-5022-1298, Fax: +60-3-5022-1290

**Renesas Electronics India Pvt. Ltd.**  
No.777C, 100 Feet Road, HAL 2nd Stage, Indiranagar, Bangalore 560 038, India  
Tel: +91-80-67208700

**Renesas Electronics Korea Co., Ltd.**  
17F, KAMCO Yangjae Tower, 262, Gangnam-daero, Gangnam-gu, Seoul, 06265 Korea  
Tel: +82-2-558-3737, Fax: +82-2-558-9338

© 2019 Renesas Electronics Corporation. All rights reserved.

Colophon 8.0

# Mouser Electronics

Authorized Distributor

Click to View Pricing, Inventory, Delivery & Lifecycle Information:

[Renesas Electronics:](#)

[REAR56958BGSM#HC0](#)