

Description

The GX62474B is a high-performance parallel low V_{pi} linear/limiting Mach-Zender Modulator (MZM) driver designed for long-haul optical transmitters. The GX62474B is a small form factor (SFF) with differential inputs and single ended outputs. The GX62474B is a surface mount device (SMD) packaged solution consisting of 4 x 32Gb/s broadband amplifiers, each capable of driving a limiting output voltage of 7.0V_{pp}. Device, under suitable bias, can also be used for multilevel modulation applications.

Device Diagram

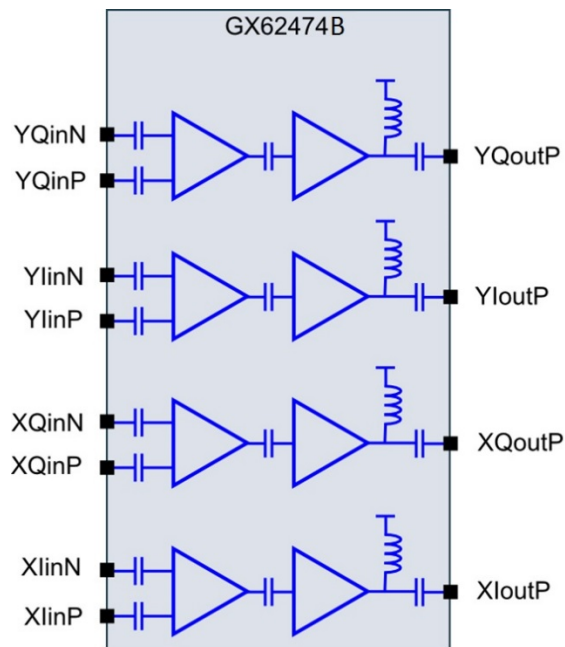


Figure 1: Device diagram

Applications

- 100Gb/s Coherent Systems using DP-QPSK
- 200Gb/s advanced multi-level modulation systems

Features

- Data rate up to 32Gb/s per channel for 100G DP-QPSK or 200G 16QAM coherent applications
- Low inter channel crosstalk
- Small form factor SMD
- No external RF supply chokes & RF decoupling required
- Internal RF input and output DC blocking
- Output amplitude control independent for each channel
- Integrated peak detector for each channel

Ordering Information

Part	Temperature Range	Package
GX62474B-HIU	-5°C to +85°C	SMD 13mm x 19mm

For price, delivery schedules, and to place orders, please contact IDT: www.IDT.com/go/sales

IMPORTANT NOTICE AND DISCLAIMER

RENESAS ELECTRONICS CORPORATION AND ITS SUBSIDIARIES (“RENESAS”) PROVIDES TECHNICAL SPECIFICATIONS AND RELIABILITY DATA (INCLUDING DATASHEETS), DESIGN RESOURCES (INCLUDING REFERENCE DESIGNS), APPLICATION OR OTHER DESIGN ADVICE, WEB TOOLS, SAFETY INFORMATION, AND OTHER RESOURCES “AS IS” AND WITH ALL FAULTS, AND DISCLAIMS ALL WARRANTIES, EXPRESS OR IMPLIED, INCLUDING, WITHOUT LIMITATION, ANY IMPLIED WARRANTIES OF MERCHANTABILITY, FITNESS FOR A PARTICULAR PURPOSE, OR NON-INFRINGEMENT OF THIRD PARTY INTELLECTUAL PROPERTY RIGHTS.

These resources are intended for developers skilled in the art designing with Renesas products. You are solely responsible for (1) selecting the appropriate products for your application, (2) designing, validating, and testing your application, and (3) ensuring your application meets applicable standards, and any other safety, security, or other requirements. These resources are subject to change without notice. Renesas grants you permission to use these resources only for development of an application that uses Renesas products. Other reproduction or use of these resources is strictly prohibited. No license is granted to any other Renesas intellectual property or to any third party intellectual property. Renesas disclaims responsibility for, and you will fully indemnify Renesas and its representatives against, any claims, damages, costs, losses, or liabilities arising out of your use of these resources. Renesas' products are provided only subject to Renesas' Terms and Conditions of Sale or other applicable terms agreed to in writing. No use of any Renesas resources expands or otherwise alters any applicable warranties or warranty disclaimers for these products.

(Rev.1.0 Mar 2020)

Corporate Headquarters

TOYOSU FORESIA, 3-2-24 Toyosu,
Koto-ku, Tokyo 135-0061, Japan
www.renesas.com

Contact Information

For further information on a product, technology, the most up-to-date version of a document, or your nearest sales office, please visit:
www.renesas.com/contact/

Trademarks

Renesas and the Renesas logo are trademarks of Renesas Electronics Corporation. All trademarks and registered trademarks are the property of their respective owners.

Mouser Electronics

Authorized Distributor

Click to View Pricing, Inventory, Delivery & Lifecycle Information:

[Renesas Electronics:](#)

[GX62474B-HIU](#)