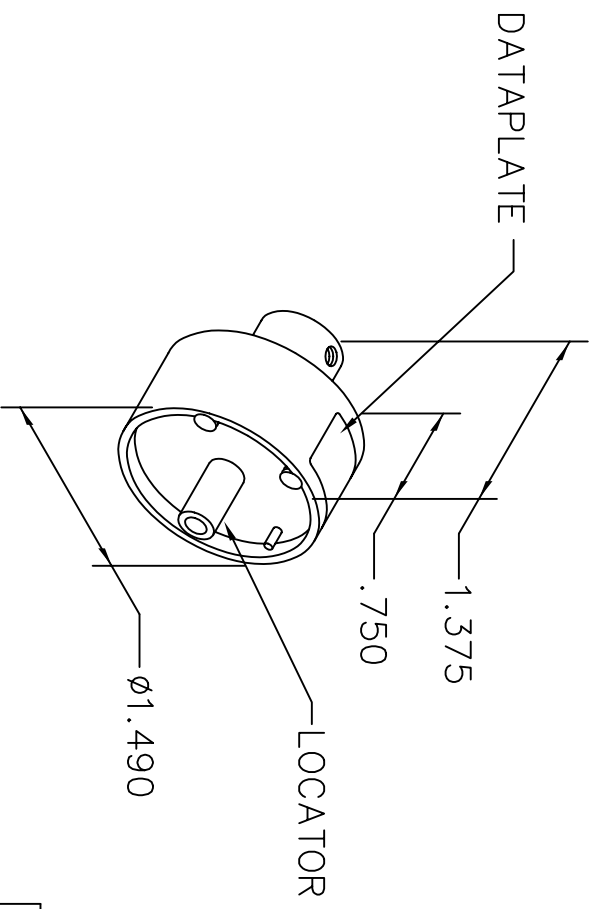


REVISIONS				
REV. SYM.	E.C.O. NUMBER	DESCRIPTION	BY DATE	APP'D DATE
1		REDRAWN	JMC 8-7-03	JWJ 3-7-00

**UNCONTROLLED DOCUMENT
WILL NOT BE UPDATED**



CONTACTS	24	22	20	RG141A, 142A, 142B, 178B, 180B, 188, 195A, 196A, 303, 316/U	RG55B, 58C, 223/U	CABLE OR WIRE SIZE
M24308/10-1	1	1	2			
M24308/11-1						
M24308/16 & /17 -1 THRU -5 INNER P & S				1		1 SEL. NO.

DATAPLATE

LOCATOR	
HOLE DIMENSIONS	ADDITIONAL FEATURES
φ.078	L φ.094
∓ φ1.14 MIN	∓ .005

RESTRICTED & CONFIDENTIAL

CONFIDENTIAL PROPERTY OF DANIELS MANUFACTURING CORP. NOT TO BE DISCLOSED TO OTHERS, REPRODUCED OR USED FOR ANY OTHER PURPOSE, EXCEPT AS AUTHORIZED IN WRITING BY DANIELS MANUFACTURING. MUST BE RETURNED TO DANIELS MANUFACTURING CORP. ON COMPLETION OF ORDER OR OTHER PURPOSE FOR WHICH LENT.

DO NOT SCALE DRAWING

DRN.	JMC	DATE	8-7-03
CHK'D.	JWJ	DATE	8-7-03
APP'D.		DATE	
APP'D.		DATE	

NOTE: THIS DRAWING IS AN OUTLINE DRAWING OF THE RESPECTIVE DMC PART NUMBER INDICATED. ACTUAL DMC PART NUMBER IS DRAWING NUMBER WITHOUT THE "-ENV" SUFFIX.

WHERE USED: AF8

DMC DANIELS MANUFACTURING CORP.
ORLANDO, FLORIDA
CAGE 11851

TITLE
SINGLE POSITION HEAD
ENVELOPE DRAWING

SIZE	SCALE	CAD P/N	SHEET	OF
A	NTS	TP585-ENV	1	1
POSTING		DWG. NO.		REV.
		TP585-ENV		1

Mouser Electronics

Authorized Distributor

Click to View Pricing, Inventory, Delivery & Lifecycle Information:

[Daniels Manufacturing:](#)

[TP585](#)