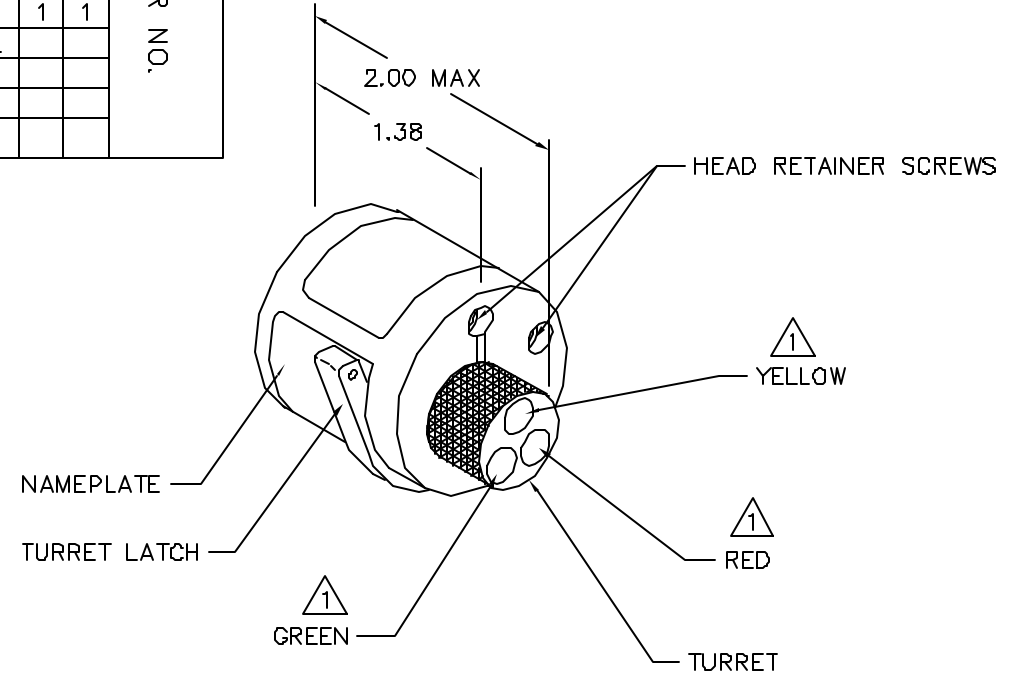
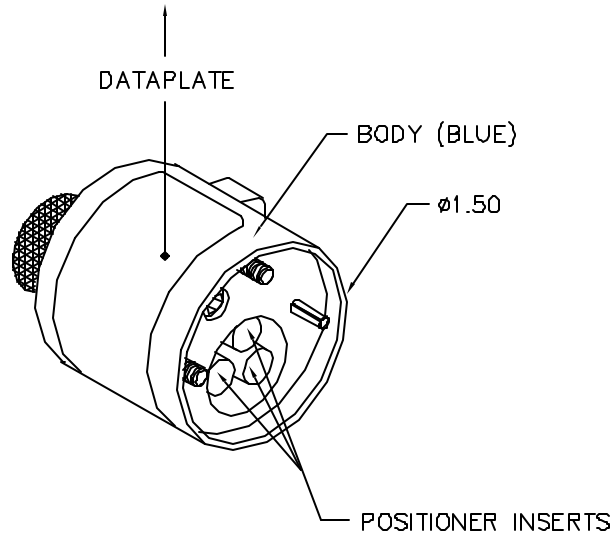


AMP	COLOR	14	16	18	20	22	24	26	28	30	32	WIRE
201627 201554	RED									1	1	SELECTOR NO.
201613 201609 201353 201332 201649 202411							3	2	2			
200679 201580 201328 201584 200334 200331 201647					3	2	1					
202508			5	4								
201625	YEL									1	1	
201607 202189 201354							3	2	2			
201582					3	2	1					
201568			5									
204219	GRN		5	4								

REVISIONS				
REV. STN.	E.C.D. NUMBER	DESCRIPTION	BY DATE	APP'D DATE
2		REDRAWN	AAM 1-26-01	RRR 1-26-01

**UNCONTROLLED DOCUMENT
WILL NOT BE UPDATED**



POSITIONER COLOR	HOLE DIMENSIONS	ADDITIONAL FEATURES
RED	Ø.078 ▽.639	└┘ Ø.156 ▽.519
YELLOW	Ø.078 ▽.632	└┘ Ø.156 ▽.549
GREEN	Ø.156 ▽1.004	

HOLE AND COUNTERBORE DEPTHS ARE MEASURED FROM TOP OF POSITIONER INSERTS.

RESTRICTED & CONFIDENTIAL CONFIDENTIAL PROPERTY OF DANIELS MANUFACTURING CORP. NOT TO BE DISCLOSED TO OTHERS, REPRODUCED OR USED FOR ANY OTHER PURPOSE, EXCEPT AS AUTHORIZED IN WRITING BY DANIELS MANUFACTURING. MUST BE RETURNED TO DANIELS MANUFACTURING CORP. ON COMPLETION OF ORDER OR OTHER PURPOSE FOR WHICH LENT.	ITEM	PART NO.	QTY.	DESCRIPTION/REMARKS
	DRN.	DC	DATE 8-18-00	DANIELS MANUFACTURING CORP. ORLANDO, FLORIDA CAGE 11851
	CHKD.	DP	DATE 8-18-00	
	APP'D.		DATE	
APP'D.		DATE		
DO NOT SCALE DRAWING				TITLE ENVELOPE DRAWING TURRET HEAD
WHERE USED: AFB				
SIZE	SCALE	CAD P/N	SHEET	OF
B	NTS	TH501-ENV	1	1
POSTING	P/N	TH501-ENV	REV.	
			2	

Mouser Electronics

Authorized Distributor

Click to View Pricing, Inventory, Delivery & Lifecycle Information:

[Daniels Manufacturing:](#)

[TH501](#)