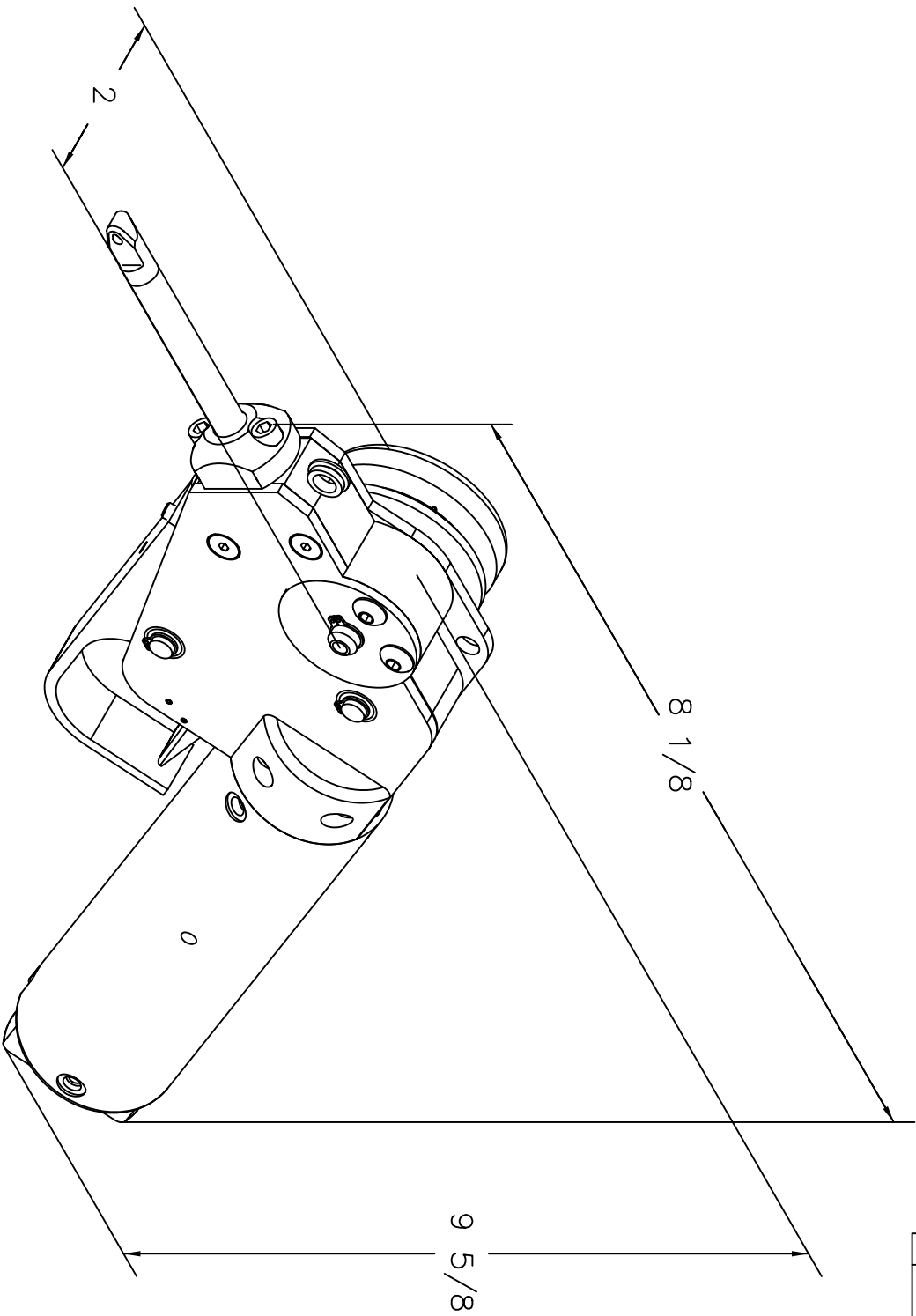


REV.	E.C.O. NUMBER	DESCRIPTION	BY	APP'D
1		ORIGINAL RELEASE	8/17/83	9/17/83



**UNCONTROLLED DOCUMENT
WILL NOT BE UPDATED**

RESTRICTED & CONFIDENTIAL		COMPARTMENTAL PROPERTY OF DANIELS MANUFACTURING CORP. DISCLOSED TO OTHERS, REPRODUCED OR USED FOR ANY OTHER PURPOSES WITHOUT THE WRITTEN PERMISSION OF DANIELS MANUFACTURING CORP. MUST BE RETURNED TO COMPANY OR DESTROYED BY THE USER AT THE END OF ORDER OR OTHER PURPOSE FOR WHICH LENT.	
MATERIAL	HEAT TREAT	FINISH	
ITEM	PART NO.	QTY.	DESCRIPTION/REMARKS
TRN	J. JOYCE	DATE	DATE
CHKD.	RRR	DATE	DATE
APPR.		DATE	
APPR.		DATE	
NOTE: THIS DRAWING IS AN OUTLINE DRAWING OF THE RESPECTIVE PART NUMBER IS DRAWING THE "ENV" PART.			
WHERE USED:	SCALE	CAD P/N	SHEET OF
	C	SCTPR323-ENV	1
	NTS		1
		DWG. NO.	1
		SCTPR323-ENV	1

DO NOT SCALE DRAWING

Mouser Electronics

Authorized Distributor

Click to View Pricing, Inventory, Delivery & Lifecycle Information:

[Daniels Manufacturing:](#)

[SCTPR323](#)