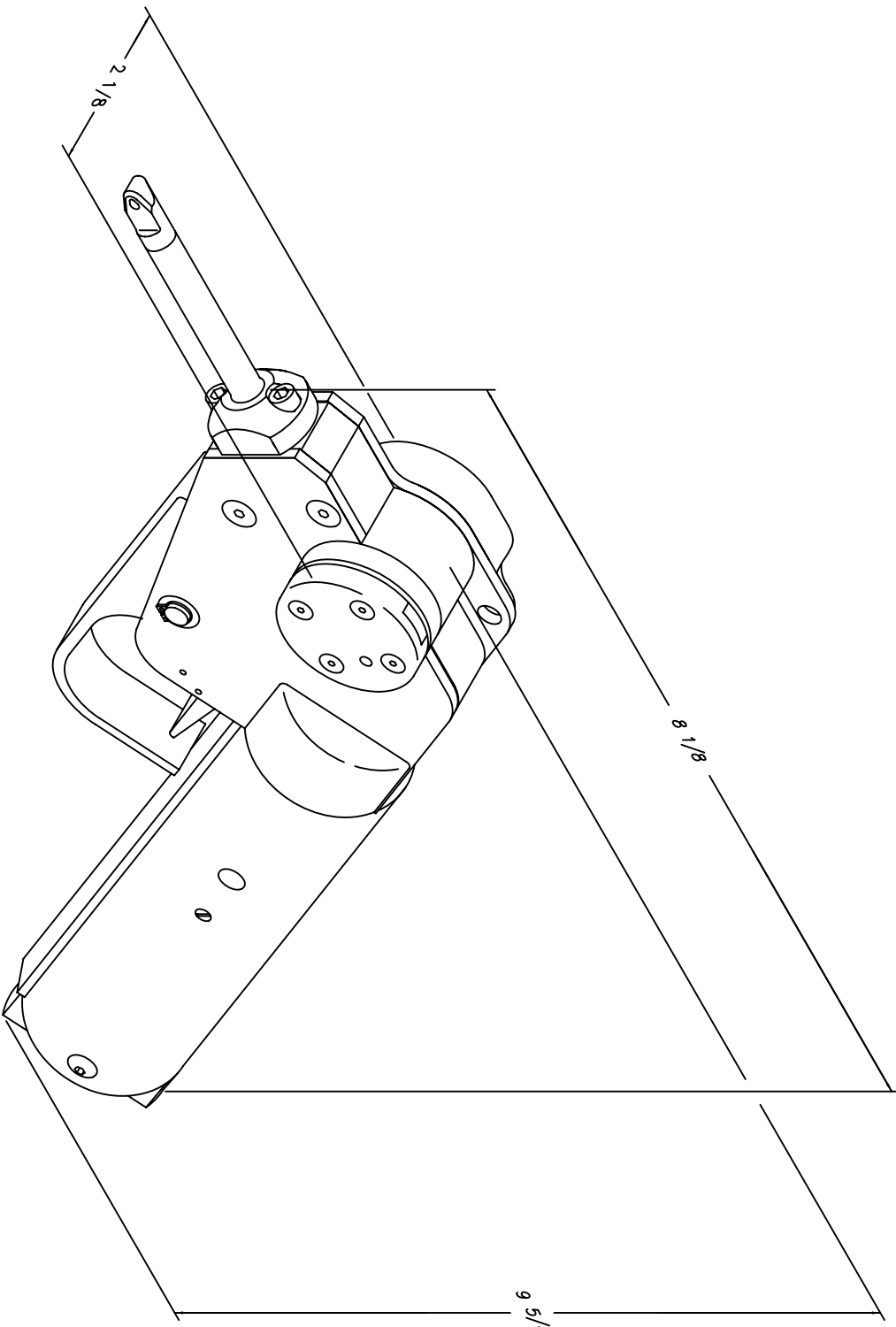


REV.	E.C.O. NUMBER	DESCRIPTION	BY DATE	APP'D DATE
1		ORIGINAL RELEASE	9/17/08	9/27/08



**UNCONTROLLED DOCUMENT
WILL NOT BE UPDATED**

RESTRICTED & CONFIDENTIAL		MATERIAL		ITEM		PART NO.		DESCRIPTION/REMARKS	
COMMERCIAL PROPERTY OF DANIELS DISCLOSED TO OTHERS, REPRODUCED OR USED FOR ANY OTHER PURPOSE WITHOUT THE WRITTEN PERMISSION BY DANIELS MANUFACTURING, MUST BE RETURNED TO DANIELS OF ORDER OR OTHER PURPOSE FOR WHICH SENT.		HEAT TREAT		DATE		DATE		DMC DANIELS MANUFACTURING CORP. ONE WAY DRIVE OAKLAND, FLORIDA 32067-1180	
		FINISH		APPR.		DATE			
DO NOT SCALE DRAWING		NOTE: IN ALL CASES DRAWING OF THE RESPECTIVE PART NUMBER IS DRAWING THE "ENV" SUFFIX.		WHERE USED:		SCALE		SHEET OF	
		THIS DRAWING IS AN OUTLINE DRAWING OF THE RESPECTIVE PART NUMBER IS DRAWING THE "ENV" SUFFIX.		C NTS		3/4" DIA SCLP203-ENV		1 1	

Mouser Electronics

Authorized Distributor

Click to View Pricing, Inventory, Delivery & Lifecycle Information:

[Daniels Manufacturing:](#)

[SCTP203](#)