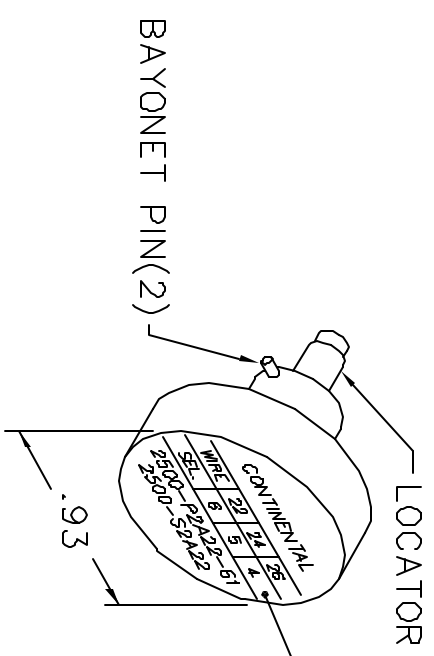
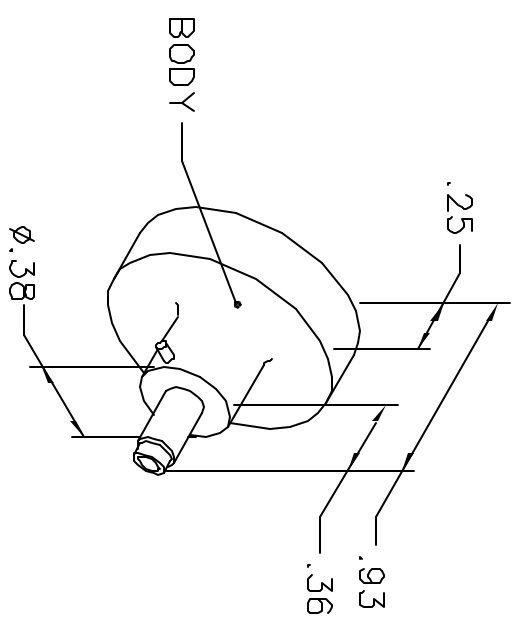


REVISIONS				
REV. SYM.	E.C.O. NUMBER	DESCRIPTION	BY DATE	APP'D DATE
1		ORIGINAL RELEASE	DH 11-1-89	TS 11-1-89

**UNCONTROLLED DOCUMENT
WILL NOT BE UPDATED**



CONTINENTAL			
WIRE	22	24	26
SEL.	6	5	4
2500-P2A22-61			
2500-S2A22			

NOTE: FOR USE WITH DANIELS CRIMP TOOLS
ACCOMMODATING "K" SERIES POSITIONNERS

LOCATOR	ADDITIONAL FEATURES
HOLE DIMENSIONS	∅.032
	∇.58 MIN.
	∇.330

RESTRICTED & CONFIDENTIAL

CONFIDENTIAL PROPERTY OF DANIELS MANUFACTURING CORP. NOT TO BE DISCLOSED TO OTHERS, REPRODUCED OR USED FOR ANY OTHER PURPOSE, EXCEPT AS AUTHORIZED IN WRITING BY DANIELS MANUFACTURING. MUST BE RETURNED TO DANIELS MANUFACTURING CORP. ON COMPLETION OF ORDER OR OTHER PURPOSE FOR WHICH LENT.

DO NOT SCALE DRAWING

DRN.	DH	DATE
CHK'D.	TS	DATE
APP'D.	AAM	DATE
APP'D.		DATE

TITLE		DANIELS MANUFACTURING CORP. ORLANDO, FLORIDA CAGE 11851	
WHERE USED: AFMB		ENVELOPE DRAWING POSITIONNER	
SIZE	SCALE	CAD P/N	SHEET OF
A	NTS	K187-ENV	1 OF 1
POSTING		P/N	REV.
		K187-ENV	1

Mouser Electronics

Authorized Distributor

Click to View Pricing, Inventory, Delivery & Lifecycle Information:

[Daniels Manufacturing:](#)

[K187](#)