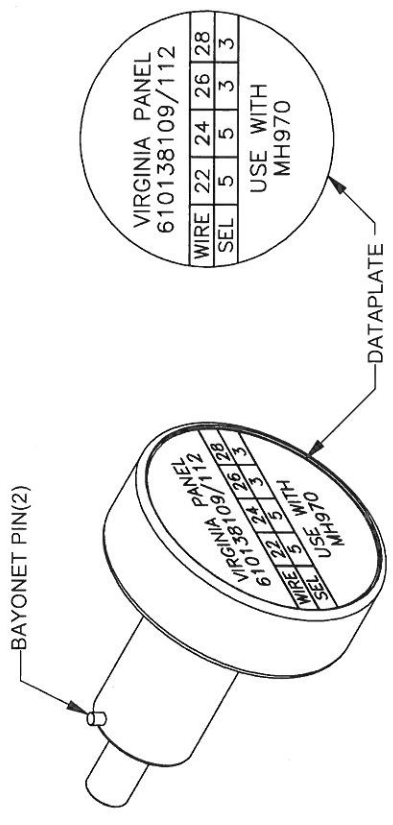
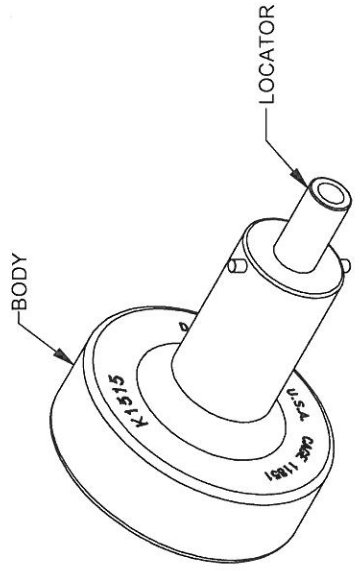
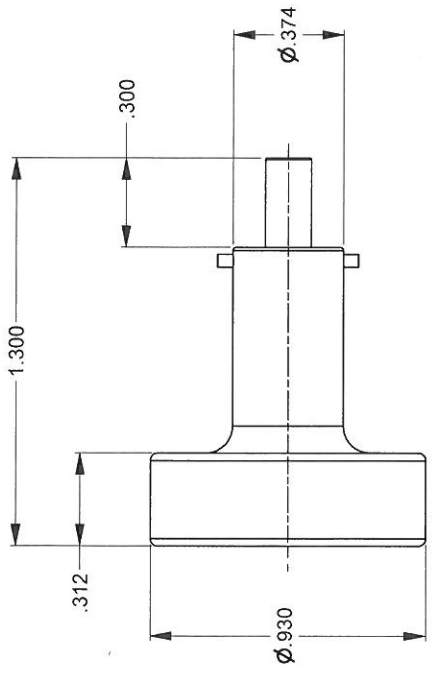


REV. SYM		ECO NUMBER		DESCRIPTION		DATE	
1				ORIGINAL RELEASE			03-03-00

**UNCONTROLLED DOCUMENT
WILL NOT BE UPDATED**

DIMENSIONS IN INCHES - UNLESS OTHERWISE SPECIFIED



VIRGINIA PANEL
610138109/112

WIRE	22	24	26	28
SEL	5	5	3	3

USE WITH
MH970

LOCATOR	
HOLE DIMENSIONS	Ø.097 ▽.768
ADDITIONAL FEATURES	

ITEM	PART No.	QTY.	DESCRIPTION/REMARKS
DRN: <i>Jerry Blumhardt</i>	DATE: 03-03-00		DANIELS MANUFACTURING CORP. ORLANDO, FLORIDA CAGE 11851
CRD:	DATE:		
APPD:	DATE:		POSITIONER ENVELOPE DRAWING
APPD:	DATE:		
WHERE USED: SIZE: B SCALE: 2.5X CAD PIN: K1515-ENV SHEET OF: 11 POSTING: B P/N: K1515-ENV REL: 1			
NOTE: THIS DRAWING IS AN OUTLINE DRAWING OF THE RESPECTIVE DMC PART NUMBER INDICATED. ACTUAL DMC PART NUMBER IS DRAWING NUMBER. DRAWING NUMBER SUFFIX THE "EN" SUFFIX.			
RESTRICTED & CONFIDENTIAL CONFIDENTIAL PROPERTY OF DANIELS MANUFACTURING CORP. NOT TO BE DISCLOSED TO OTHERS, REPRODUCED OR USED FOR ANY OTHER PURPOSE EXCEPT AS AUTHORIZED IN WRITING BY DANIELS MANUFACTURING CORP. ON COMPLETION OF ORDER OR OTHER PURPOSE FOR WHICH INT.			
CREATED FROM AN INVENTOR MODEL. CHANGES MUST BE REFLECTED IN THE 3D PART DO NOT SCALE DRAWING			

Mouser Electronics

Authorized Distributor

Click to View Pricing, Inventory, Delivery & Lifecycle Information:

[Daniels Manufacturing:](#)

[K1515](#)