

HD37 HYDRAULIC CRIMP TOOL

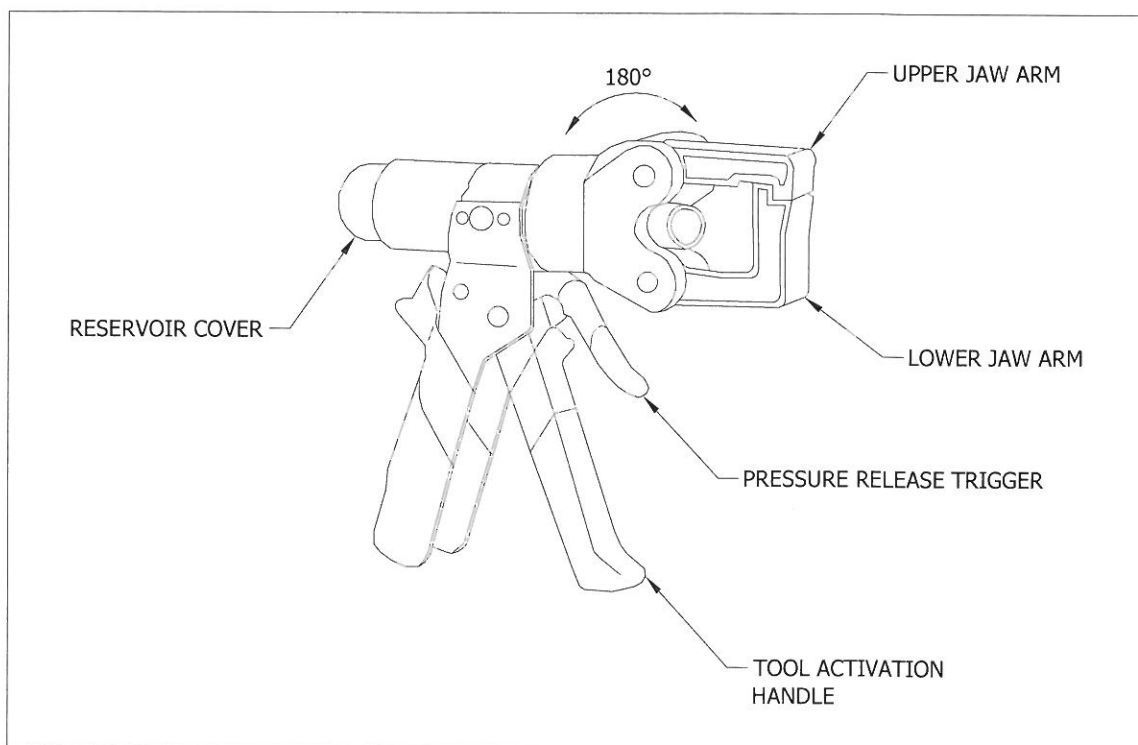


FIGURE 1

INTRODUCTION:

This datasheet covers the proper use of the HD37 Hydraulic Crimp Tool. Read the information contained in this datasheet carefully before using the tool.

DESCRIPTION:

The hydraulic tool is operated with one hand only. It has a force output of 3.5 tons and weighs 3.1lb. The tool has an automatic relief valve with audible "click" to prevent over compression. It also has a 180° rotating head to accommodate various applications, and working areas.

SELECTION OF CRIMP DIES:

This hydraulic tool is designed to accept M22520/5-XX (Daniels "Y") type dies for crimping terminals, lugs, or any other special applications. The recommended wire/terminal range for this tool is 12 AWG thru 2 AWG.

Determine proper crimping die set to be used for the crimp you are performing.

HD37 HYDRAULIC CRIMP TOOL

DATASHEET

OPERATION (SEE FIGURE 1):

1. Open the crimp jaws by lifting upward on the upper jaw arm until the lower jaw arm disengages, and falls open.
2. To insert the stationary die half of the die set into the lower jaw arm, align the dies rail slot with the die rail in the arm. Then push the shank of the die half into the hole in the arm until it snaps into place.
3. To insert the movable die half of the die set, push the shank of the die half into the tools pushrod with the dies rail slot oriented toward the lower jaw arm. Push in until it snaps in place.
4. Close the crimp jaws by lifting the lower jaw arm up to the upper jaw arm until the arms re-engage. The movable dies rail slot should be engaged to the die rail in the arm as well now.
5. Position the crimp head as needed within its 180° rotation for the terminal to be crimped.
6. Position the terminal or lug to be crimped within the crimp cavities of the installed die set.
7. Repeatedly pump the tool activation handle to close the die set.
8. When the tool reaches full pressure, and audible click will be heard and felt by the operator.
9. Activate the pressure release trigger to retract movable die half.

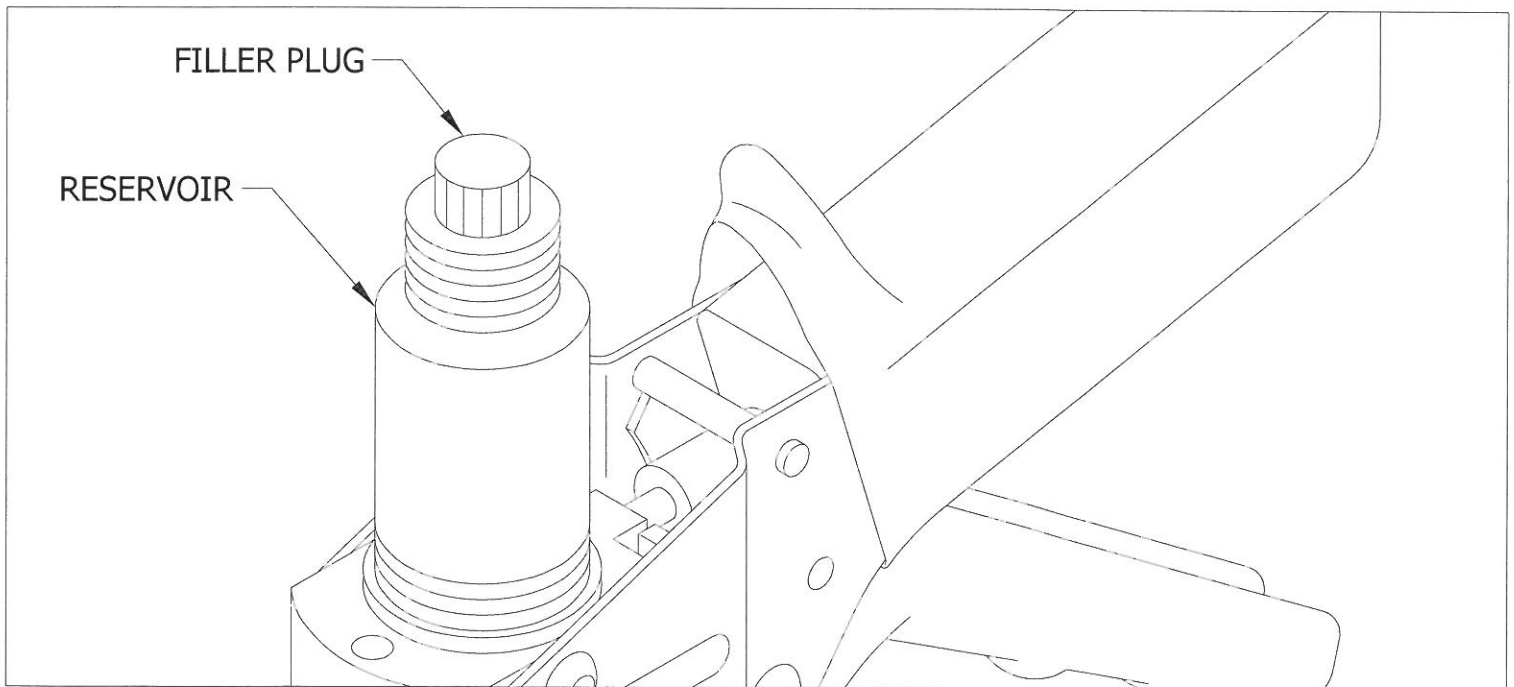


FIGURE 2

HD37

HYDRAULIC CRIMP TOOL



DATASHEET

REFILLING THE RESERVOIR AND BLEEDING THE TOOL (SEE FIGURE 2):

1. Install a die set into the tool, and activate the tool to fully close the dies, or as far as the die will close.
2. Orient the tool so the reservoir is pointed straight up, to allow the air in the system to rise to the top.
3. Unscrew the reservoir cover, and remove the filler plug.
4. Fill the reservoir with oil.
5. Depress the pressure release trigger. Excess oil will be ejected from the reservoir as the ram retracts.
6. Replace the filler plug, and reservoir cover.
7. Perform two full closures with the oil reservoir pointed straight up.

DMC offers complete refurbishing and recalibration services.

DMC specially engineers and manufactures complete tool kits to satisfy individual customer requirements, such as total aircraft support general shop maintenance or production, on board ship and vehicle service, etc.

Limitation of Liability

DANIELS MANUFACTURING CORPORATION IS NOT LIABLE FOR CONSEQUENTIAL OR SPECIAL DAMAGES OF ANY NATURE OR KIND RESULTING FROM THE USE, OR MISUSE, OF ANY OF ITS PRODUCTS. OWNERS AND USERS OF DMC PRODUCTS ASSUME FULL RESPONSIBILITY FOR INSTRUCTING THEIR EMPLOYEES IN THE PROPER AND SAFE USE OF SUCH PRODUCTS.

Limited Warranty

DMC (Daniels Manufacturing Corporation) warrants each new product sold by it to be free from defects in material and workmanship under normal use and service. DMC's obligation under this warranty is limited to the free correction or, at DMC's option, the refund of the purchase price of any such product which proves defective in normal service within ninety (90) days after delivery to the first user, provided that the product is returned to DMC with all transportation charges prepaid and which shall appear to DMC's satisfaction, after DMC's inspection, to have been defective in material and workmanship, it being understood that DMC products are not consumer products. This warranty shall not cover any damage to any product which, in the opinion of DMC, was caused by normal wear, misuse, improper operation, tampering, neglect or accident. This warranty is in lieu of all other warranties express or implied. No warranty, express or implied, is made or authorized to be made or assumed with respect to products of Daniels Manufacturing Corporation other than those herein set forth.

Mouser Electronics

Authorized Distributor

Click to View Pricing, Inventory, Delivery & Lifecycle Information:

[Daniels Manufacturing:](#)

[HD37-212](#)