

DBS-R05 ROLLOVER TOOL

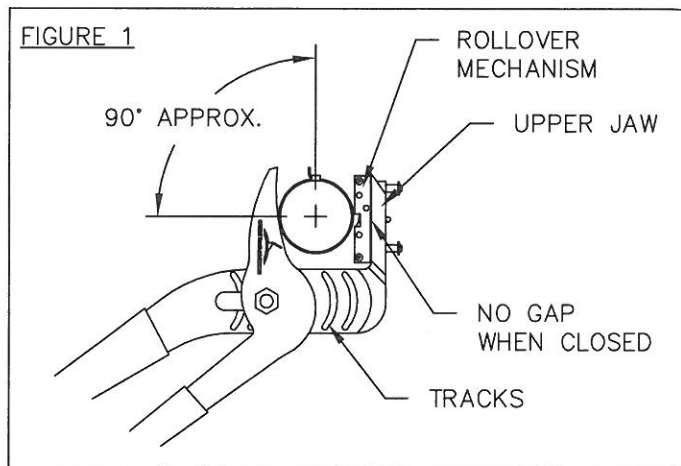
SEE REVERSE SIDE FOR IMPORTANT INFORMATION CONCERNING LIMITED WARRANTY, AND LIMITATION OF LIABILITY.

INTRODUCTION

TO COMPLETE THE BAND TERMINATION, THE EXTENDED BAND TAB MUST BE ROLLED OVER THE BUCKLE. FOR THIS PURPOSE, THE DBS-R05 (M81306/2-02D) ROLLOVER TOOL IS ADJUSTABLE FOR BACKSHELLS RANGING FROM 1/4 INCH TO 2-5/8 INCH DIAMETER.

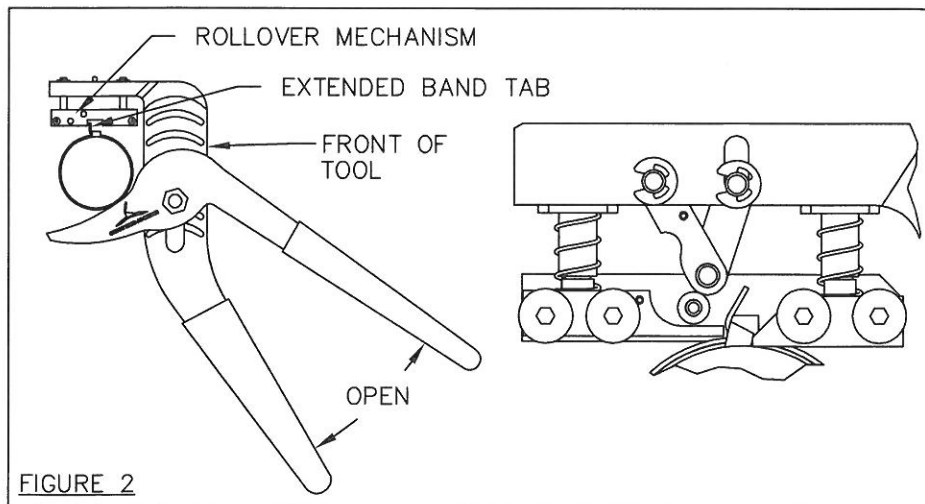
SET-UP

TO CHOOSE THE PROPER SETTING, SELECT THE TRACK THAT ALLOWS BOTH THE BACKSHELL TO FIT INTO THE PLIER JAWS, WHEN OPEN AND THE ROLLOVER MECHANISM TO CLOSE COMPLETELY AGAINST THE UPPER JAW (LEAVING NO GAP). THIS ADJUSTMENT CAN BE DONE SIMPLY BY ROTATING THE TOOL APPROXIMATELY 90° FROM THE BUCKLE AND CLOSING THE JAWS TO INSURE THAT THE REQUIREMENTS STATED ABOVE HAVE BEEN ACHIEVED (SEE FIGURE 1).



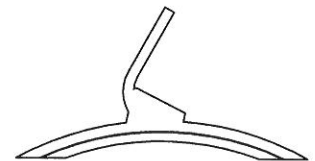
OPERATION

AFTER INSURING THAT THE TOOL HAS BEEN PROPERLY SET, INSERT THE EXTENDED BAND TAB INTO THE ROLLOVER MECHANISM MOUNTED ON THE UPPER JAW. THE EXTENDED TAB MUST BE FACING THE FRONT OF THE TOOL AS SHOWN IN FIGURE 2.



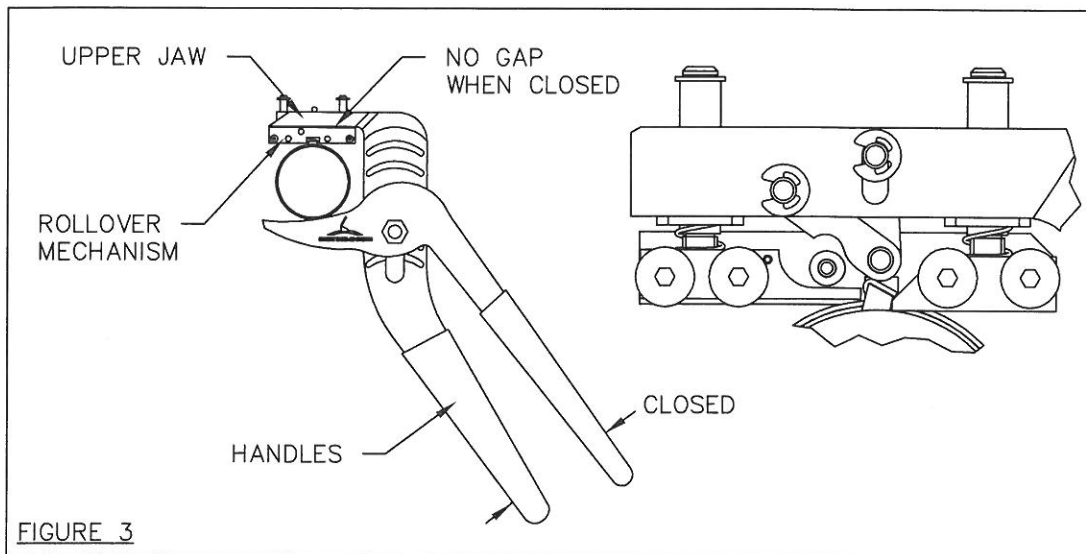
CAUTION:

ALWAYS POSITION THE TERMINATED BAND INTO THE TOOL WITH THE TAB ORIENTED TOWARD THE FRONT OF THE TOOL (AS SHOWN ON THE LABEL BELOW). IMPROPER POSITIONING WILL CAUSE A FAULTY TERMINATION.



ORIENT BAND AS SHOWN

TO COMPLETE THE ROLLOVER, SIMPLY SQUEEZE THE HANDLES UNTIL THE ROLLOVER MECHANISM IS CLOSED COMPLETELY AGAINST THE UPPER JAW (LEAVING NO GAP) AS SHOWN IN FIGURE 3. OPEN THE HANDLES TO REMOVE THE TERMINATED BACKSHELL ASSEMBLY.



WARNING: DO NOT USE EXCESSIVE PRESSURE WHEN CLOSING THE ROLLOVER TOOL ON THE BAND. THIS MAY CAUSE DEFORMATION OR CRACKING.

LIMITATION OF LIABILITY

DANIELS MANUFACTURING CORPORATION IS NOT LIABLE FOR CONSEQUENTIAL OR SPECIAL DAMAGES OF ANY NATURE OR KIND RESULTING FROM THE USE, OR MISUSE, OF ANY OF ITS PRODUCTS. OWNERS AND USERS OF DMC PRODUCTS ASSUME FULL RESPONSIBILITY FOR INSTRUCTING THEIR EMPLOYEES IN THE PROPER AND SAFE USE OF SUCH PRODUCTS.

LIMITED WARRANTY

DMC (Daniels Manufacturing Corporation) warrants each new product sold by it to be free from defects in material and workmanship under normal use and service. DMC's obligation under this warranty is limited to the free correction or, at DMC's option, the refund of the purchase price of any such product which proves defective in normal service within ninety (90) days after delivery to the first user, provided that the product is returned to DMC with all transportation charges prepaid and which shall appear to DMC's satisfaction, after DMC's inspection, to have been defective in material or workmanship, it being understood that DMC products are not consumer products. This warranty shall not cover any damage to any product which, in the opinion of DMC, was caused by normal wear, misuse, improper operation, tampering, neglect or accident. This warranty is in lieu of all other warranties express or implied. No warranty, express or implied, is made or authorized to be made or assumed with respect to products of Daniels Manufacturing Corporation other than those herein set forth.

Mouser Electronics

Authorized Distributor

Click to View Pricing, Inventory, Delivery & Lifecycle Information:

[Daniels Manufacturing:](#)

[DBS-RO5](#)