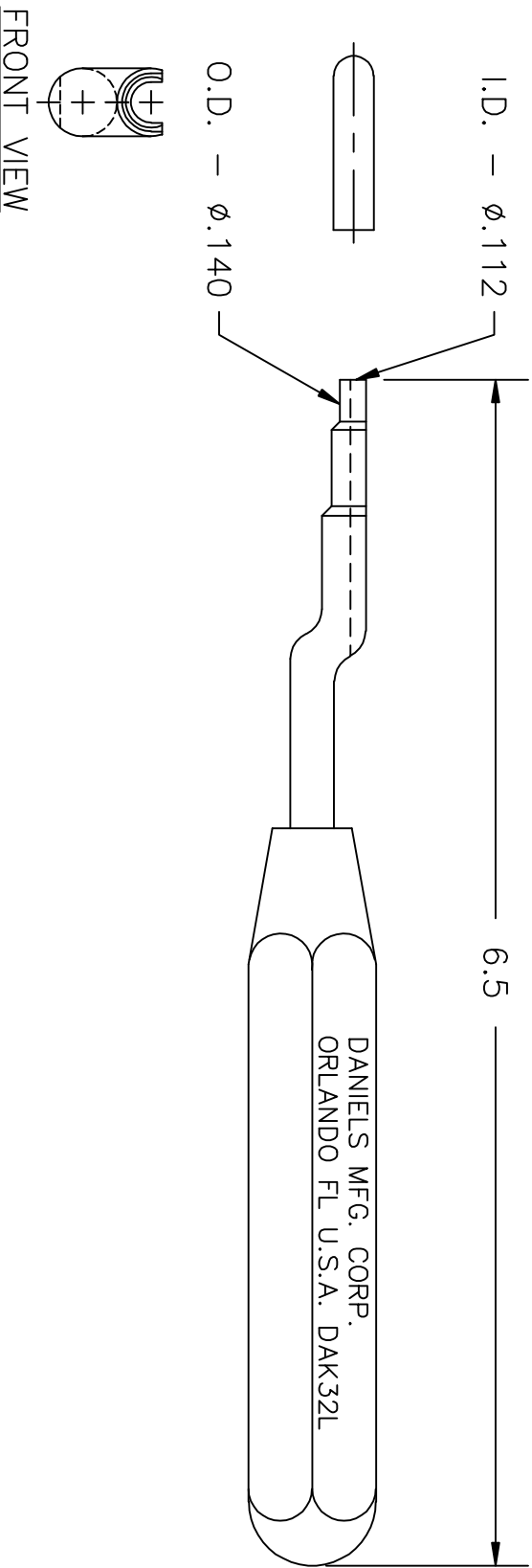


REVISIONS				
REV. SYM.	E.C.O. NUMBER	DESCRIPTION	BY DATE	APP'D DATE
1		ORIGINAL RELEASE	DUNG CAO 8-14-95	DE 8-95
2	21481	ADDED FRONT VIEW	KDH 10/30/09	RRR 10/30/09

**UNCONTROLLED DOCUMENT
WILL NOT BE UPDATED**



RESTRICTED & CONFIDENTIAL

CONFIDENTIAL PROPERTY OF DANIELS MANUFACTURING CORP. NOT TO BE DISCLOSED TO OTHERS. REPRODUCED OR USED FOR ANY OTHER PURPOSE, EXCEPT AS AUTHORIZED IN WRITING BY DANIELS MANUFACTURING. MUST BE RETURNED TO DANIELS MANUFACTURING CORP. ON COMPLETION OF ORDER OR OTHER PURPOSE FOR WHICH LENT.

MATERIAL	
HEAT TREAT	
FINISH	

ITEM	PART NO.	DATE
DRN. DUNG CAO		8-14-95
CHK'D. DE		8-95
APP'D.	DATE	
APP'D.	DATE	

NOTE:
THIS DRAWING IS AN OUTLINE DRAWING OF THE RESPECTIVE DMC PART NUMBER INDICATED. ACTUAL DMC PART NUMBER IS DRAWING NUMBER WITHOUT THE "-ENV" SUFFIX.

QTY.	DESCRIPTION/REMARKS
	DANIELS MANUFACTURING CORP. ORLANDO, FLORIDA CAGE 11851
TITLE	INSTALLING TOOL ENVELOPE DRAWING
WHERE USED:	

SIZE	SCALE	CAD P/N	SHEET	OF
A	NTS	DAK32L-ENV	1	1
POSTING		DWG. NO. DAK32L-ENV	REV.	2

DO NOT SCALE DRAWING

Mouser Electronics

Authorized Distributor

Click to View Pricing, Inventory, Delivery & Lifecycle Information:

[Daniels Manufacturing:](#)

[DAK32L](#)