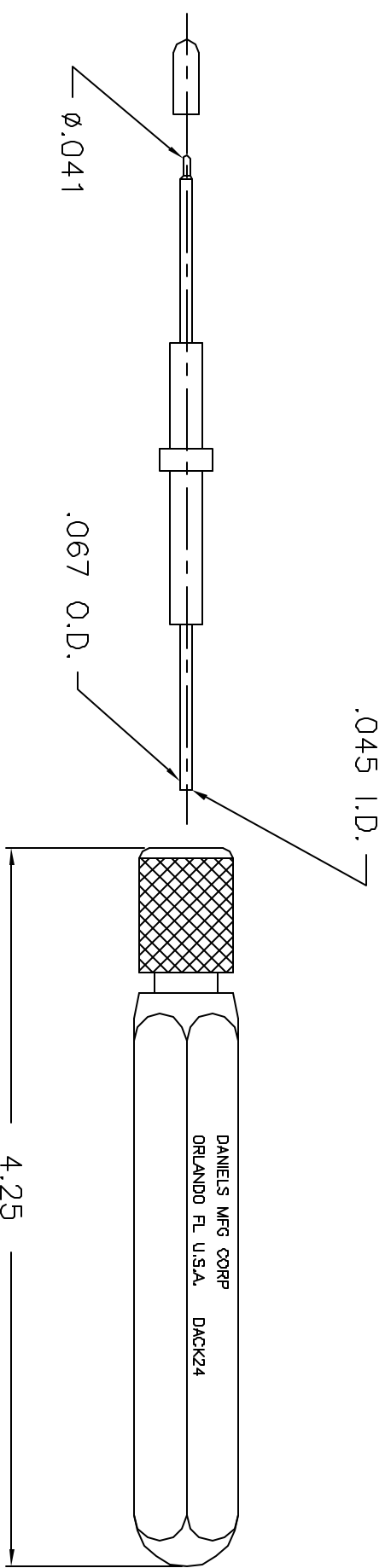


REVISIONS				
REV. SYM.	E.C.O. NUMBER	DESCRIPTION	BY DATE	APP'D DATE
1		ORIGINAL RELEASE	JWJ 1/24/01	RRR 1/24/01

**UNCONTROLLED DOCUMENT
WILL NOT BE UPDATED**



1. REF: CANNON CET20-4.

NOTES:

RESTRICTED & CONFIDENTIAL
 CONFIDENTIAL PROPERTY OF DANIELS MANUFACTURING CORP. NOT TO BE DISCLOSED TO OTHERS, REPRODUCED OR USED FOR ANY OTHER PURPOSE EXCEPT AS AUTHORIZED IN WRITING BY DANIELS MANUFACTURING. MUST BE RETURNED TO DANIELS MANUFACTURING CORP. ON COMPLETION OF ORDER OR OTHER PURPOSES FOR WHICH LENT.

MATERIAL		HEAT TREAT		FINISH			
ITEM		PART NO.		QTY.		DESCRIPTION/REMARKS	
DRN.	J. JOYCE	DATE	1/24/01				
CHK'D.	RRR	DATE	1/24/01				
APP'D.		DATE					
APP'D.		DATE					
NOTE: THIS DRAWING IS AN OUTLINE DRAWING OF THE RESPECTIVE DMG PART NUMBER INDICATED. ACTUAL DMG PART NUMBER IS DRAWING NUMBER WITHOUT THE "-ENV" SUFFIX				TITLE REMOVAL TOOL ENVELOPE DRAWING			
WHERE USED:				SIZE		SCALE	
				A		4X	
				POSTING		CAD P/N	
						DACK24-ENV	
						SHEET	
						1	
						OF	
						1	
						REV.	
						1	

DO NOT SCALE DRAWING



DANIELS MANUFACTURING CORP.
 ORLANDO, FLORIDA
 CAGE 11851

Mouser Electronics

Authorized Distributor

Click to View Pricing, Inventory, Delivery & Lifecycle Information:

[Daniels Manufacturing:](#)

[DACK24](#)