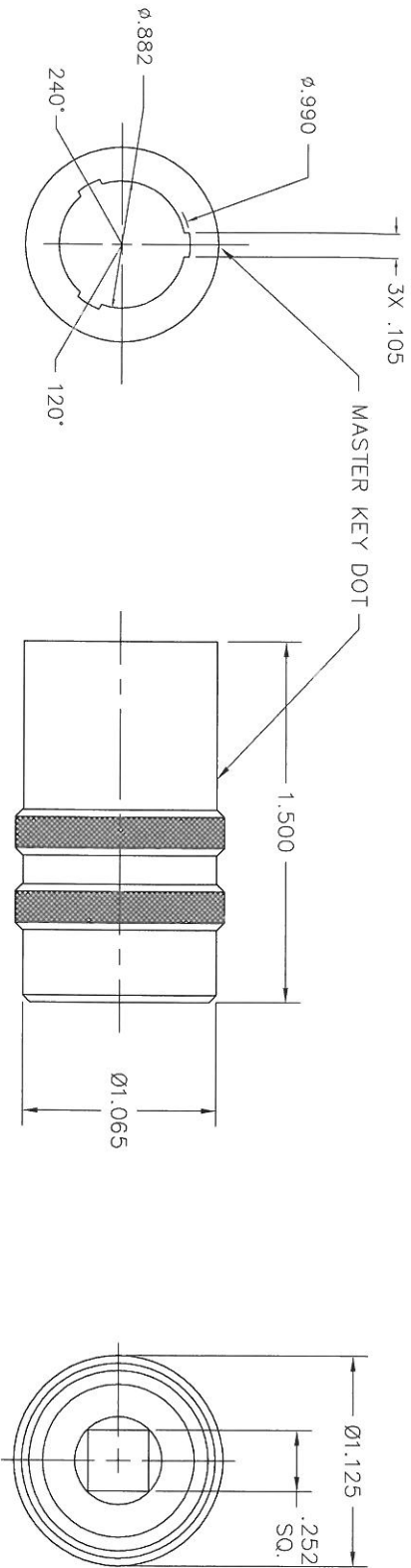


REV		E.C.D.		REVISIONS		BY		APP'D	
NO.	SYM.	NUMBER	DESCRIPTION	DATE	DATE	DATE	DATE	DATE	DATE
1			ORIGINAL RELEASE	5-20-14					



**UNCONTROLLED DOCUMENT
WILL NOT BE UPDATED
DIMENSIONS IN INCHES - UNLESS OTHERWISE SPECIFIED**

RESTRICTED & CONFIDENTIAL		MATERIAL		ITEM		PART NO.		QTY.		DESCRIPTION/REMARKS	
CONFIDENTIAL PROPERTY OF DANIELS MANUFACTURING CORP. THIS DRAWING IS NOT TO BE DISCLOSED TO OTHERS, REPRODUCED OR USED FOR ANY OTHER PURPOSE, EXCEPT AS AUTHORIZED IN WRITING BY DANIELS MANUFACTURING MANUFACTURING CORP. ON COMPLETION OF ORDER OR OTHER PURPOSE FOR WHICH INT.		HEAT TREAT		DIN		TD		DATE		DATE	
		FINISH		CHK'D.		DATE		DATE		DATE	
NOTE:		APPROVED		APPROVED		DATE		DATE		DATE	
THIS DRAWING IS AN OUTLINE DRAWING OF THE RESPECTIVE PART NUMBER IS DRAWING NUMBER WITHOUT THE "-ENV" SUFFIX.		APPROVED		DATE		DATE		DATE		DATE	
WHERE USED:		SCALE		SIZE		POSTING		SHEET		OF	
MIL-C-38999 & MIL-C-26482 BAYONET RECEPTACLES		CM/264R-14-ENV		CM/264R-14-ENV		CM/264R-14-ENV		1		1	
DANIELS MANUFACTURING CORP. ORLANDO, FLORIDA CAGE 11851		P/N		P/N		P/N		1		1	
TITLE ADAPTOR TOOL SERIES 2		CM264R-14-ENV		CM264R-14-ENV		CM264R-14-ENV		1		1	

Mouser Electronics

Authorized Distributor

Click to View Pricing, Inventory, Delivery & Lifecycle Information:

[Daniels Manufacturing:](#)

[CM264R-14](#)