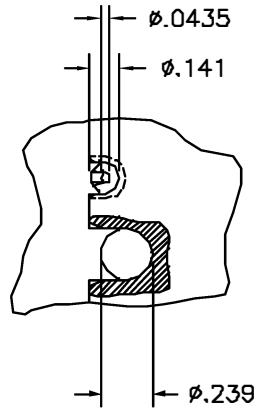
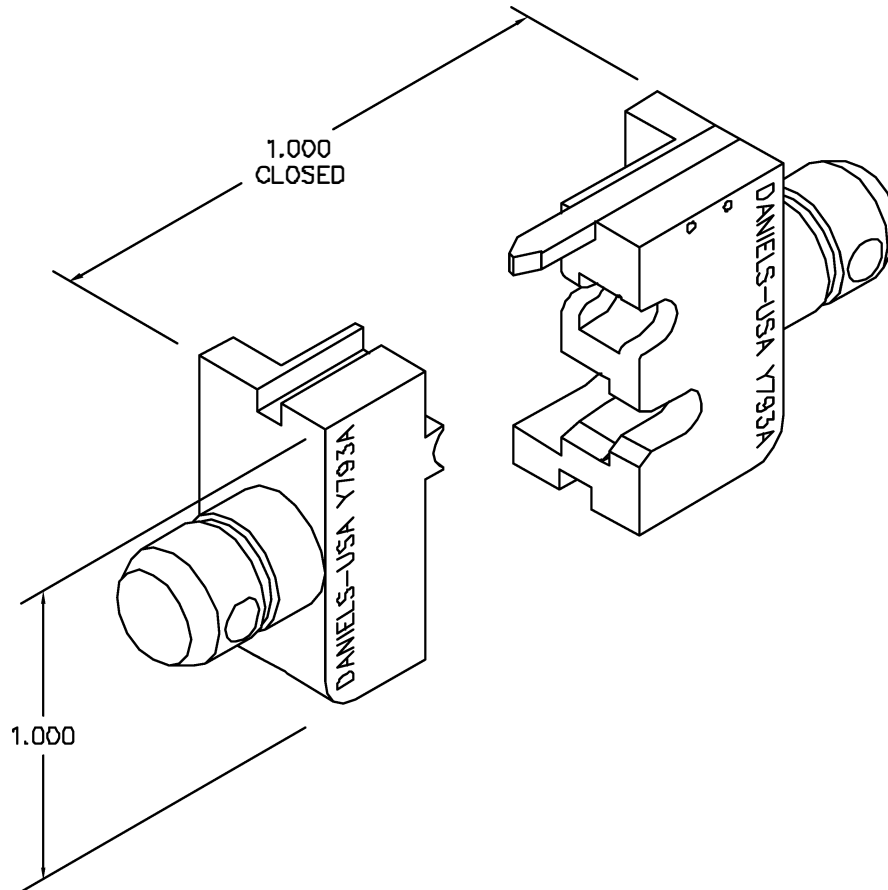



REVISIONS				
REV. SYM.	EGG. NUMBER	DESCRIPTION	BY DATE	APPD. DATE
2		REVISED DIM'S	M. CARRERO 10-6-82	DE 10-82
3		P/N WAS Y793	M. CARRERO 3-20-83	DE 3-83
4		ADDED AUX. VIEW	E.D. 8-16-84	DE 8-84



GAGING DIMENSIONS



**UNCONTROLLED DOCUMENT  
WILL NOT BE UPDATED**

<b>RESTRICTED &amp; CONFIDENTIAL</b>  CONFIDENTIAL PROPERTY OF DANIELS MANUFACTURING CORP. NOT TO BE DISCLOSED TO OTHERS, REPRODUCED OR USED FOR ANY OTHER PURPOSE EXCEPT AS AUTHORIZED IN WRITING BY DANIELS MANUFACTURING. MUST BE RETURNED TO DANIELS MANUFACTURING CORP. ON COMPLETION OF ORDER OR OTHER PURPOSE FOR WHICH LENT.  DO NOT SCALE DRAWING	MATERIAL	ITEM	PART NO.	QTY.	DESCRIPTION/REMARKS
	HEAT TREAT	CHKL J. STRAITON DE	DATE 8-1-81 DATE 5-8-81		 DANIELS MANUFACTURING CORP. ORLANDO, FLORIDA CAGE 11851
	FINISH	APPD. APPD.	DATE DATE		

# Mouser Electronics

Authorized Distributor

Click to View Pricing, Inventory, Delivery & Lifecycle Information:

[Daniels Manufacturing:](#)

[Y793A](#)