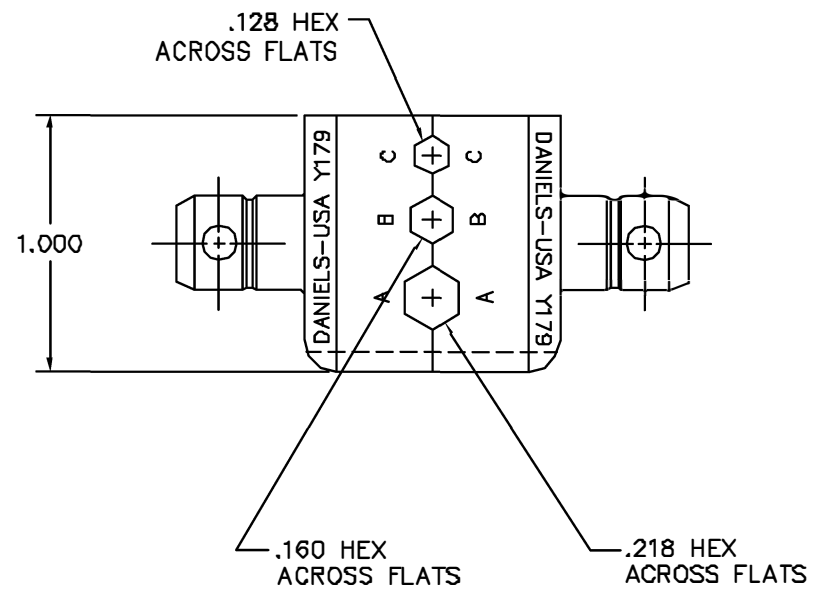
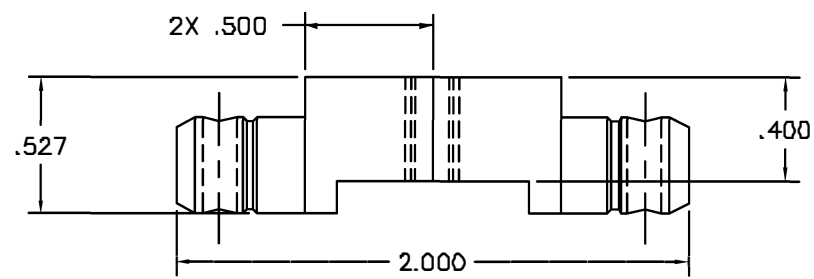



| REVISIONS |               |                  |                |            |
|-----------|---------------|------------------|----------------|------------|
| REV. SYM. | E.C.D. NUMBER | DESCRIPTION      | BY DATE        | APP'D DATE |
| 1         |               | ORIGINAL RELEASE | DVC<br>8/11/84 | DE<br>8/84 |



**UNCONTROLLED DOCUMENT  
WILL NOT BE UPDATED**

| RESTRICTED & CONFIDENTIAL   |  | MATERIAL   | ITEM   | PART NO.          | QTY.  | DESCRIPTION/REMARKS   |                          |
|---|--|------------|--|-------------------|---|---|--------------------------|
| CONFIDENTIAL PROPERTY OF DANIELS MANUFACTURING CORP. NOT TO BE DISCLOSED TO OTHERS, REPRODUCED OR USED FOR ANY OTHER PURPOSE, EXCEPT AS AUTHORIZED IN WRITING BY DANIELS MANUFACTURING. MUST BE RETURNED TO DANIELS MANUFACTURING CORP. ON COMPLETION OF ORDER OR OTHER PURPOSE FOR WHICH LENT.<br><br>DO NOT SCALE DRAWING |  | HEAT TREAT | DRN  | DVC               | DATE 8/11/84                                  |  DANIELS MANUFACTURING CORP.<br>ORLANDO, FLORIDA<br>CAGE 11851 |                          |
|   |  |            | CHK'D.   | DE                | DATE 8/84                                     |   |                          |
|   |  |            | APP'D.   |                   | DATE  | TITLE   | DIE SET ENVELOPE DRAWING |
|   |  |            | APP'D.   |                   | DATE  | WHERE USED:   |                          |
|   |  | FINISH     | NOTE:<br>THIS DRAWING IS AN OUTLINE DRAWING OF THE RESPECTIVE DMC PART NUMBER INDICATED. ACTUAL DMC PART NUMBER IS DRAWING NUMBER WITHOUT THE "-ENV" SUFFIX. |                   | SIZE B SCALE 2X CAD P/N Y179-ENV SHEET 1 OF 1 |   |                          |
|   |  |            | POSTING  | DWG. NO. Y179-ENV | REV. 1  |   |                          |

# Mouser Electronics

Authorized Distributor

Click to View Pricing, Inventory, Delivery & Lifecycle Information:

[Daniels Manufacturing:](#)

[Y179](#)