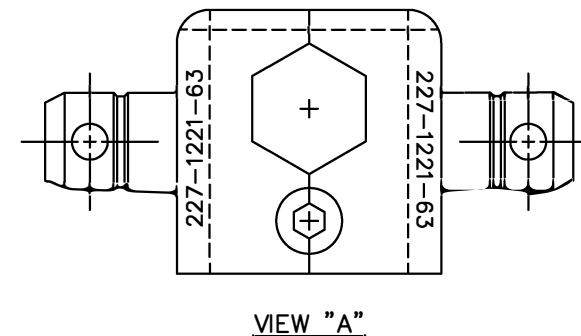
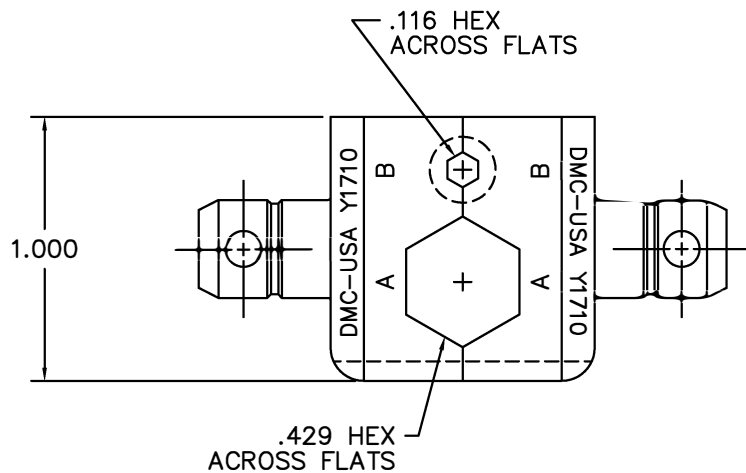
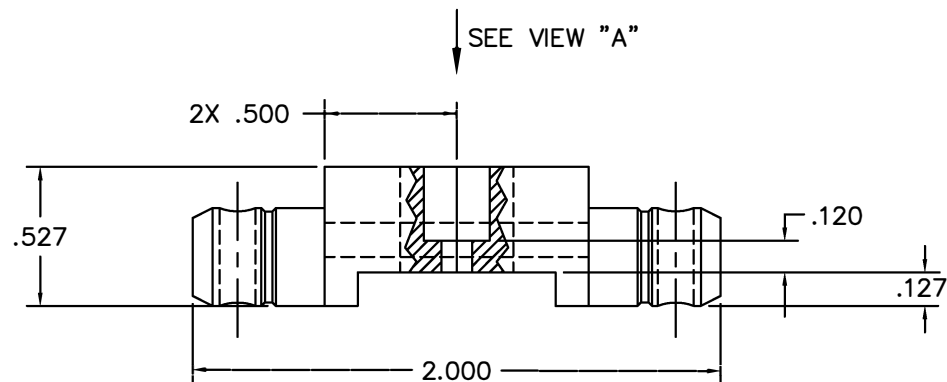


REVISIONS				
REV. SYM.	E.C.O. NUMBER	DESCRIPTION	BY DATE	APP'D DATE
1		ORIGINAL RELEASE	JWJ 4/7/00	RRR 4/7/00



**UNCONTROLLED DOCUMENT
WILL NOT BE UPDATED**

1. AMPHENOL 227-1221-63

NOTES:

RESTRICTED & CONFIDENTIAL		MATERIAL	ITEM	PART NO.	QTY.	DESCRIPTION/REMARKS		
CONFIDENTIAL PROPERTY OF DANIELS MANUFACTURING CORP. NOT TO BE DISCLOSED TO OTHERS; REPRODUCED OR USED FOR ANY OTHER PURPOSE, EXCEPT AS AUTHORIZED IN WRITING BY DANIELS MANUFACTURING. MUST BE RETURNED TO DANIELS MANUFACTURING CORP. ON COMPLETION OF ORDER OR OTHER PURPOSE FOR WHICH LENT.		HEAT TREAT	DRN.	J. JOYCE	DATE	4/7/00		
			CHK'D.	RRR	DATE	4/7/00		
			APP'D.		DATE			
			APP'D.		DATE			
DO NOT SCALE DRAWING		FINISH	NOTE: THIS DRAWING IS AN OUTLINE DRAWING OF THE RESPECTIVE DMC PART NUMBER INDICATED. ACTUAL DMC PART NUMBER IS DRAWING NUMBER WITHOUT THE "-ENV" SUFFIX.					
			WHERE USED:		SIZE	SCALE	CAD P/N	SHEET OF
			B		2X	Y1710-ENV	1 1	
			POSTING	DWG. NO.	REV.			
				Y1710-ENV	1			



TITLE
DIE SET
ENVELOPE DRAWING

Mouser Electronics

Authorized Distributor

Click to View Pricing, Inventory, Delivery & Lifecycle Information:

[Daniels Manufacturing:](#)

[Y1710](#)