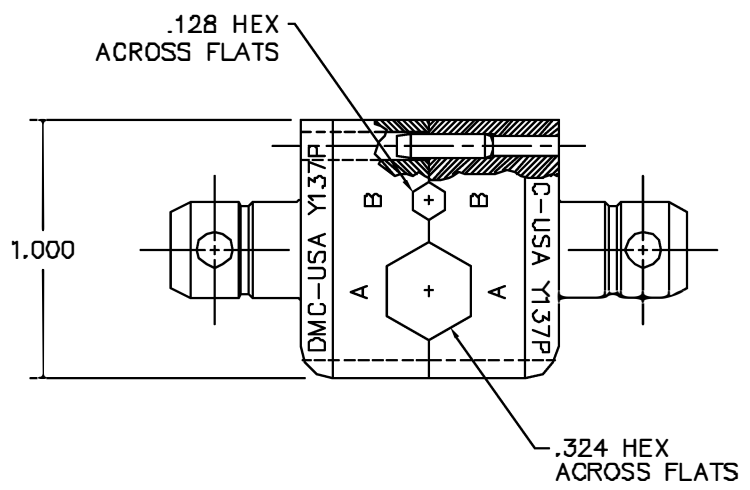
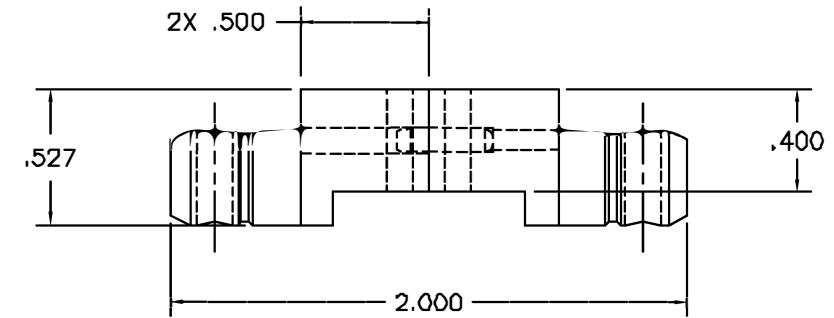



REVISIONS				
REV. SYN.	E.C.O. NUMBER	DESCRIPTION	BY DATE	APP'D DATE
1		ORIGINAL RELEASE	JU 3/11/02	RRR 3/11/02



**UNCONTROLLED DOCUMENT
WILL NOT BE UPDATED**

<p>RESTRICTED & CONFIDENTIAL</p> <p>CONFIDENTIAL PROPERTY OF DANIELS MANUFACTURING CORP. NOT TO BE DISCLOSED TO OTHERS, REPRODUCED OR USED FOR ANY OTHER PURPOSE, EXCEPT AS AUTHORIZED IN WRITING BY DANIELS MANUFACTURING. MUST BE RETURNED TO DANIELS MANUFACTURING CORP. ON COMPLETION OF ORDER OR OTHER PURPOSE FOR WHICH LENT.</p>	MATERIAL	ITEM	PART NO.	QTY.	DESCRIPTION/REMARKS
	HEAT TREAT	WRN. J. JOYCE	DATE 3/11/02		 <p>DANIELS MANUFACTURING CORP. ORLANDO, FLORIDA CAGE 11851</p>
FINISH	CHK'D: RRR	DATE 3/11/02		TITLE	
DO NOT SCALE DRAWING		APPR'D:	DATE	DIE SET ENVELOPE DRAWING	
		APPR'D:	DATE	WHERE USED:	
				SIZE B	SCALE 2X
				CAD P/N Y137P-ENV	SHEET 1 OF 1
				POSTING	P/N Y137P-ENV
					REV. 1

Mouser Electronics

Authorized Distributor

Click to View Pricing, Inventory, Delivery & Lifecycle Information:

[Daniels Manufacturing:](#)

[Y137P](#)