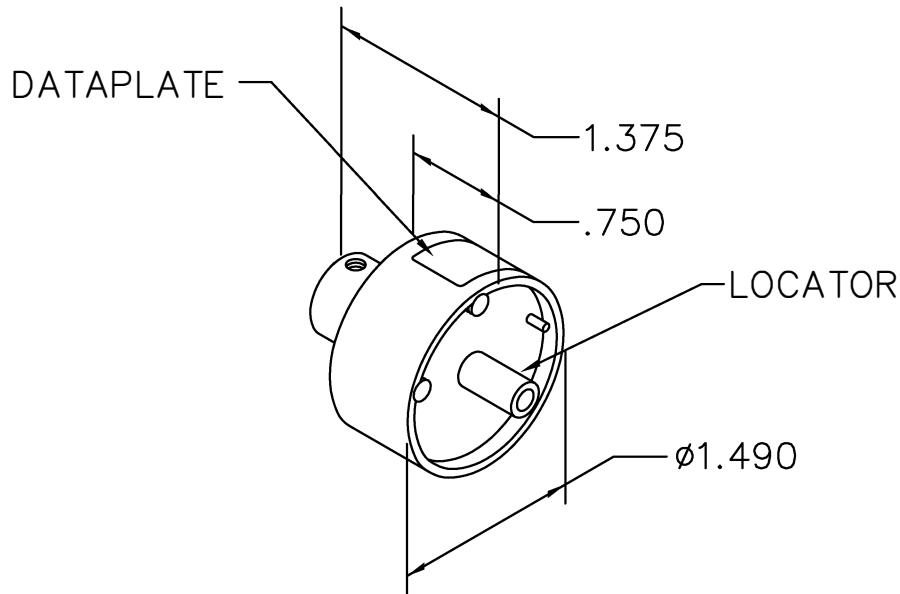


REVISIONS				
REV. SYM.	E.C.O. NUMBER	DESCRIPTION	BY DATE	APP'D DATE
1		ORIGINAL RELEASE	AAM 11-18-99	RRR 11-18-99

**UNCONTROLLED DOCUMENT
WILL NOT BE UPDATED**



GRAVINER	16	18	WIRE
D5653-1 51444-129MOD-1	7	6	SEL NO.

DATAPLATE

LOCATOR	
HOLE DIMENSIONS	ADDITIONAL FEATURES
Ø.140 ∇ 1.14 MIN.	└┘ Ø.209 ∇ .085

RESTRICTED & CONFIDENTIAL

CONFIDENTIAL PROPERTY OF DANIELS MANUFACTURING CORP. NOT TO BE DISCLOSED TO OTHERS, REPRODUCED OR USED FOR ANY OTHER PURPOSE, EXCEPT AS AUTHORIZED IN WRITING BY DANIELS MANUFACTURING. MUST BE RETURNED TO DANIELS MANUFACTURING CORP. ON COMPLETION OF ORDER OR OTHER PURPOSE FOR WHICH LENT.

DO NOT SCALE DRAWING

DRN. A. MOO-YOUNG	DATE 11-18-99
CHK'D. RRR	DATE 11-18-99
APP'D.	DATE
APP'D.	DATE

NOTE:
THIS DRAWING IS AN OUTLINE DRAWING OF THE RESPECTIVE DMC PART NUMBER INDICATED. ACTUAL DMC PART NUMBER IS DRAWING NUMBER WITHOUT THE "-ENV" SUFFIX.



DANIELS MANUFACTURING CORP.
ORLANDO, FLORIDA
CAGE 11851

TITLE
**ENVELOPE DRAWING
SINGLE POSITION HEAD**

WHERE USED: AF8

SIZE A	SCALE NTS	CAD P/N TP875-ENV	SHEET 1	OF 1
POSTING	DWG. NO. TP875-ENV	REV. 1		

Mouser Electronics

Authorized Distributor

Click to View Pricing, Inventory, Delivery & Lifecycle Information:

[Daniels Manufacturing:](#)

[TP875](#)