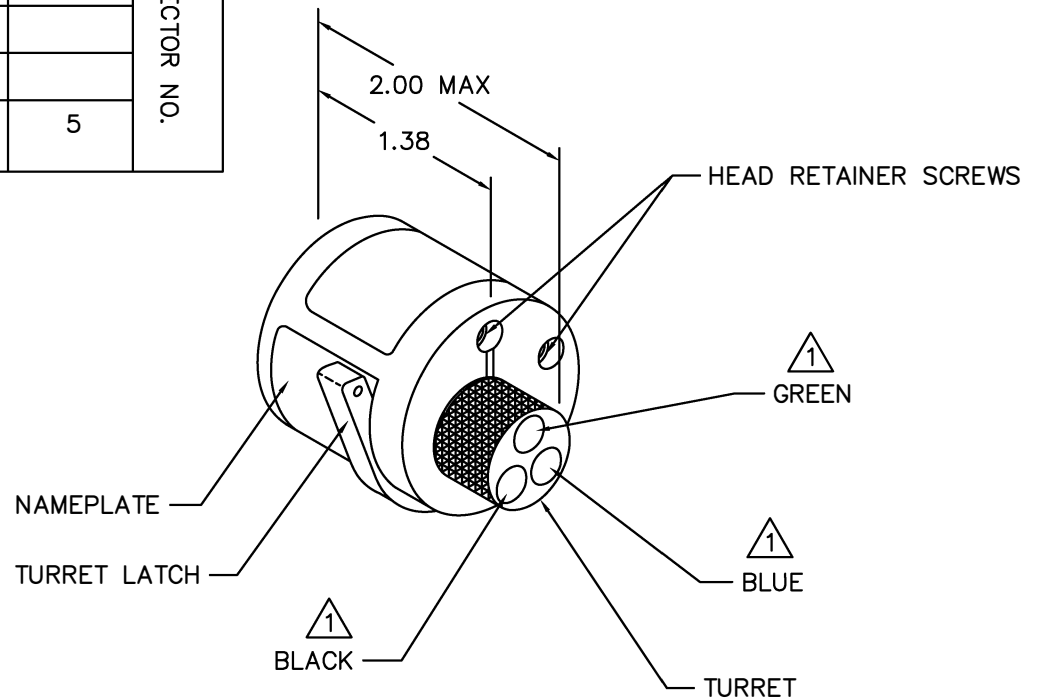
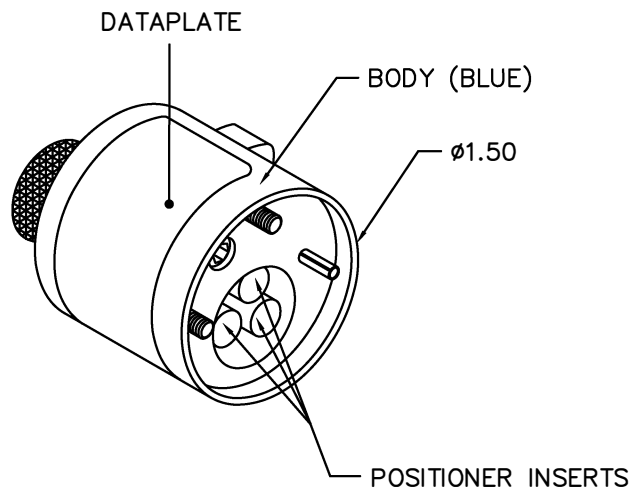


| CONTACTS BICC VERO | COLOUR CODE | 28 | 1/.4mm 26 | 7/.2mm 24 | 16/.2mm 20 | 24/.2mm 18/20 | WIRE SIZE |
|-----------------------|-------------------------|----|--------------|--------------|---------------|------------------|--------------|
| 26 SIZE MALE & FEMALE | (STD. PIN) BLUE | 1 | 2 | | | | SELECTOR NO. |
| 24 SIZE MALE & FEMALE | (SOCKET) GREEN | | | 3 | | | |
| 22 SIZE MALE & FEMALE | (EARTH PIN) BLACK | | | | 3 | | |
| 20 SIZE MALE & FEMALE | | | | | 4 | | |
| 16 SIZE MALE & FEMALE | | | | | | 5 | |

| REVISIONS | | | | |
|-----------|---------------|------------------|-----------------|-----------------|
| REV. SYM. | E.C.O. NUMBER | DESCRIPTION | BY DATE | APP'D DATE |
| 1 | | ORIGINAL RELEASE | DC 1-4-95 | DD 1-4-95 |
| 2 | | ADDED 28 & SEL 1 | AAM 10-11-05 | RRR 10-11-05 |

**UNCONTROLLED DOCUMENT
WILL NOT BE UPDATED**



△ 1 RANDOM ORDER OF ROTATION IS ACCEPTABLE.

| POSITIONER COLOR | HOLE DIMENSIONS | ADDITIONAL FEATURES |
|------------------|----------------------|---------------------|
| BLACK | ø.070 ↕ .845 MIN. | ┌ ø.147 ↕ .295 |
| GREEN | ø.106 ↕ .405 | ┌ ø.147 ↕ .275 |
| BLUE | ø.070 ↕ .717 | ┌ ø.147 ↕ .452 |

* HOLE AND COUNTERBORE DEPTHS ARE MEASURED FROM TOP OF POSITIONER INSERTS.

| RESTRICTED & CONFIDENTIAL | | ITEM | PART NO. | QTY. | DESCRIPTION/REMARKS |
|---|--|--|-----------------------|--|--|
| CONFIDENTIAL PROPERTY OF DANIELS MANUFACTURING CORP. NOT TO BE DISCLOSED TO OTHERS, REPRODUCED OR USED FOR ANY OTHER PURPOSE, EXCEPT AS AUTHORIZED IN WRITING BY DANIELS MANUFACTURING. MUST BE RETURNED TO DANIELS MANUFACTURING CORP. ON COMPLETION OF ORDER OR OTHER PURPOSE FOR WHICH LENT. | | DRN. | DC | DATE 1-4-95 | DMC DANIELS MANUFACTURING CORP. ORLANDO, FLORIDA CAGE 11851 |
| | | CHK'D. | DD | DATE 1-4-95 | |
| | | APP'D. | | DATE | |
| | | APP'D. | | DATE | |
| DO NOT SCALE DRAWING | | NOTE: THIS DRAWING IS AN OUTLINE DRAWING OF THE RESPECTIVE DMC PART NUMBER INDICATED. ACTUAL DMC PART NUMBER IS DRAWING NUMBER WITHOUT THE "-ENV" SUFFIX. | | TITLE ENVELOPE DRAWING TURRET HEAD | |
| | | SIZE B | SCALE NTS | CAD P/N TH499-ENV | SHEET 1 OF 1 |
| | | POSTING | DWG. NO. TH499-ENV | REV. 2 | |

Mouser Electronics

Authorized Distributor

Click to View Pricing, Inventory, Delivery & Lifecycle Information:

[Daniels Manufacturing:](#)

[TH499](#)