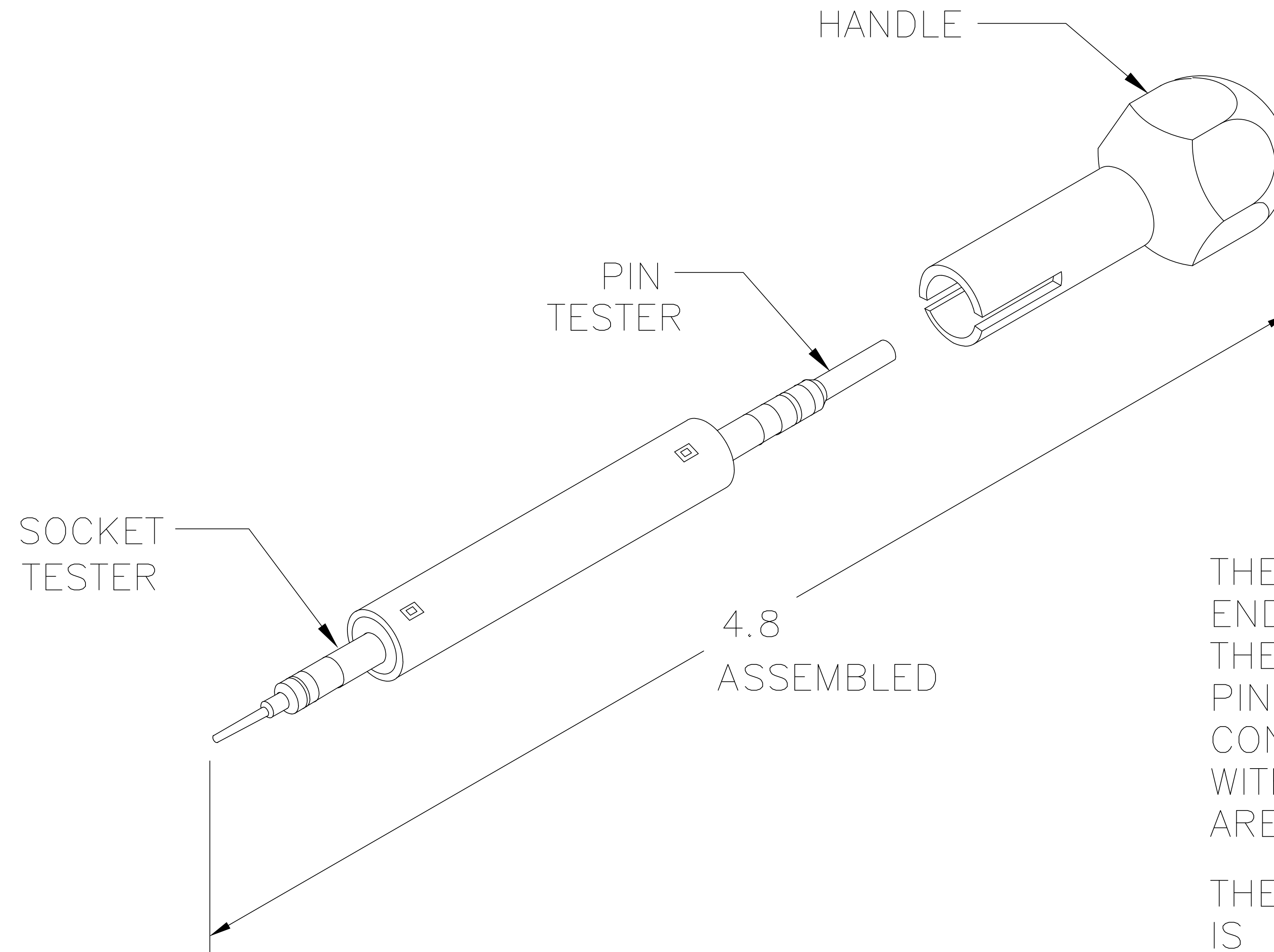



REVISIONS				
REV. SYM.	E.C.O. NUMBER	DESCRIPTION	BY DATE	APP'D DATE
A		ORIGINAL RELEASE	AAM 8-26-98	



TOOL DESCRIPTION AND USAGE

THE RETENTION TESTER IS A DOUBLE-ENDED TOOL, DESIGNED FOR CHECKING THE INSTALLATION OF CONTACTS. THE PIN TESTER TIP IS USED WITH PIN CONTACTS, AND THE SOCKET TESTER TIP WITH SOCKET CONTACTS. BOTH TIPS ARE REPLACEABLE.

THE CALIBRATED FORCE OF THIS TOOL IS  $10 \pm 3$  LBS.

<u>RESTRICTED &amp; CONFIDENTIAL</u>  CONFIDENTIAL PROPERTY OF DANIELS MANUFACTURING CORP. NOT TO BE DISCLOSED TO OTHERS, REPRODUCED OR USED FOR ANY OTHER PURPOSE, EXCEPT AS AUTHORIZED IN WRITING BY DANIELS MANUFACTURING. MUST BE RETURNED TO DANIELS MANUFACTURING CORP. ON COMPLETION OF ORDER OR OTHER PURPOSE FOR WHICH LENT.	DRN. A. MOO-YOUNG	DATE 8-26-98	 DANIELS MANUFACTURING CORP. ORLANDO, FLORIDA CAGE 11851
	CHK'D.	DATE	
	APP'D.	DATE	
	APP'D.	DATE	
	TITLE <b>ENVELOPE DRAWING          RETENTION TESTER</b>		
WHERE USED:			
SIZE A	SCALE NTS	CAD P/N HT210-16-ENV	SHEET 1 OF 1
POSTING		P/N HT210-16-ENV	REV. A

# Mouser Electronics

Authorized Distributor

Click to View Pricing, Inventory, Delivery & Lifecycle Information:

[Daniels Manufacturing:](#)

[HT210-16-SF-CERT](#) [HT210-16-LF-CERT](#)