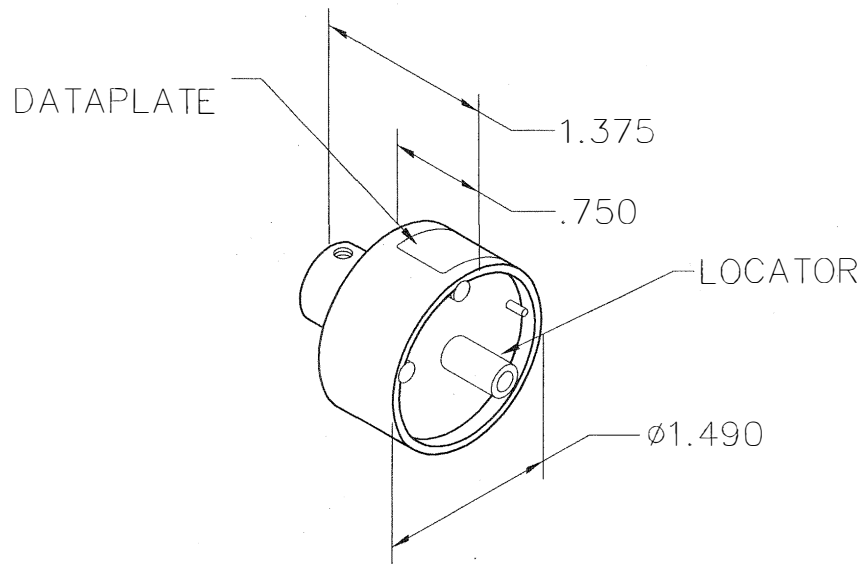


REV. SYM.	E.C.O. NUMBER	REVISIONS DESCRIPTION	BY DATE	APP'D DATE
2		ADDED RADIALL REF	TD 11-21-11	



**UNCONTROLLED DOCUMENT  
WILL NOT BE UPDATED**  
DIMENSIONS IN INCHES - UNLESS OTHERWISE SPECIFIED

RADIALL SERIE EPX		
617130	617131	617132
617030	617031	617032
USE WITH M22520/4-01 BASIC TOOL		

DATAPLATE

REF: RADIALL 282 556

LOCATOR	
HOLE DIMENSIONS	ADDITIONAL FEATURES
$\phi$ .116 $\nabla$ 1.14 MIN.	$\square$ $\phi$ .138 $\nabla$ .047

**RESTRICTED & CONFIDENTIAL**

CONFIDENTIAL PROPERTY OF DANIELS MANUFACTURING CORP. NOT TO BE DISCLOSED TO OTHERS, REPRODUCED OR USED FOR ANY OTHER PURPOSE, EXCEPT AS AUTHORIZED IN WRITING BY DANIELS MANUFACTURING. MUST BE RETURNED TO DANIELS MANUFACTURING CORP. ON COMPLETION OF ORDER OR OTHER PURPOSE FOR WHICH LENT.

DRN. <i>Tony Dilworth</i>	DATE 11/29/07
CHK'D.	DATE
APP'D.	DATE
APP'D.	DATE

NOTE:  
THIS DRAWING IS AN OUTLINE DRAWING OF THE RESPECTIVE DMC PART NUMBER INDICATED. ACTUAL DMC PART NUMBER IS DRAWING NUMBER WITHOUT THE "-ENV" SUFFIX.

**DMC** DANIELS MANUFACTURING CORP.  
ORLANDO, FLORIDA  
CAGE 11851

TITLE  
**ENVELOPE DRAWING  
SINGLE POSITION HEAD**

WHERE USED: GS100-1

SIZE A	SCALE NTS	CAD P/N GP926-ENV	SHEET 1	OF 1
POSTING	P/N GP926-ENV	REV. 2		

# Mouser Electronics

Authorized Distributor

Click to View Pricing, Inventory, Delivery & Lifecycle Information:

[Daniels Manufacturing:](#)

[GP926](#)