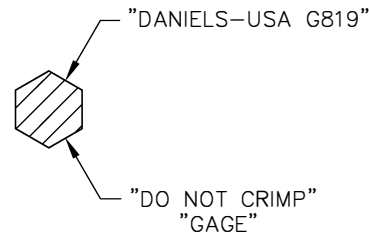
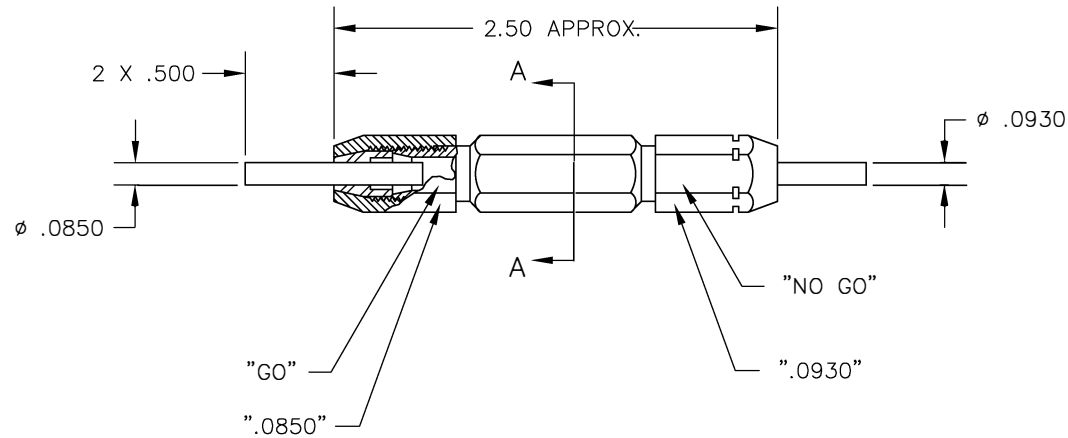



REVISIONS				
REV. SYM.	E.C.O. NUMBER	DESCRIPTION	BY DATE	APP'D DATE
1		ORIGINAL RELEASE	D.A.D. 10-24-97	



SECTION A-A



**UNCONTROLLED DOCUMENT  
WILL NOT BE UPDATED**

<p><b>RESTRICTED &amp; CONFIDENTIAL</b></p> <p>CONFIDENTIAL PROPERTY OF DANIELS MANUFACTURING CORP. NOT TO BE DISCLOSED TO OTHERS, REPRODUCED OR USED FOR ANY OTHER PURPOSE, EXCEPT AS AUTHORIZED IN WRITING BY DANIELS MANUFACTURING. MUST BE RETURNED TO DANIELS MANUFACTURING CORP. ON COMPLETION OF ORDER OR OTHER PURPOSE FOR WHICH LENT.</p>	MATERIAL	ITEM	PART NO.	QTY.	DESCRIPTION/REMARKS
	HEAT TREAT	DRN. D.DEPAIVA	DATE 10-24-97		 <p>DANIELS MANUFACTURING CORP. ORLANDO, FLORIDA GAGE 11851</p>
	FINISH	CHK'D.	DATE		
		APP'D.	DATE		TITLE
	APP'D.	DATE		WHERE USED:	
		NOTE:			
		THIS DRAWING IS AN OUTLINE DRAWING OF THE RESPECTIVE DMC PART NUMBER INDICATED. ACTUAL DMC PART NUMBER IS DRAWING NUMBER WITHOUT THE "-ENV" SUFFIX.		SIZE B	SCALE
				POSTING	CAD P/N
					P/N G819-ENV
					SHEET 1 OF 1
					REV. 1

# Mouser Electronics

Authorized Distributor

Click to View Pricing, Inventory, Delivery & Lifecycle Information:

[Daniels Manufacturing:](#)

[G819](#)