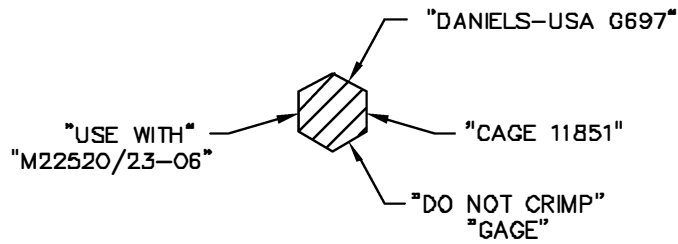
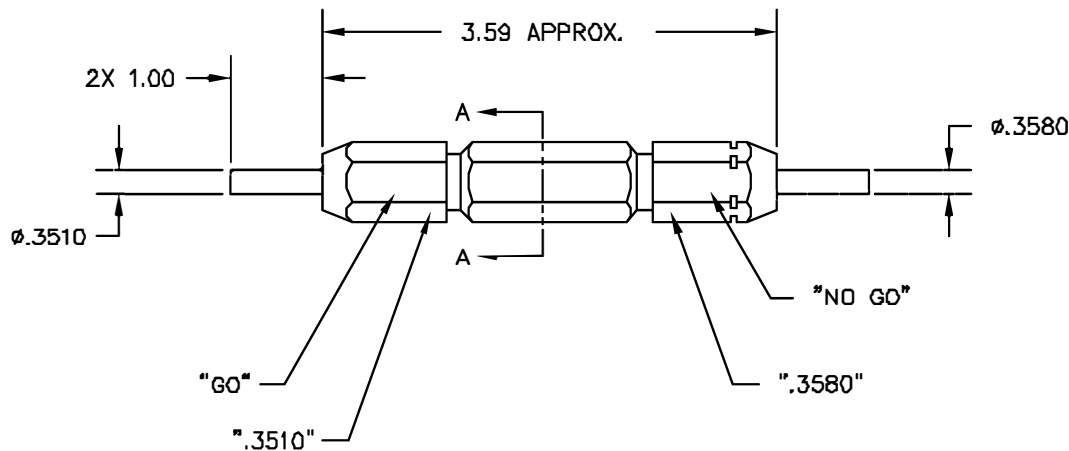



REVISIONS				
REV. SYM.	E.C.D. NUMBER	DESCRIPTION	BY DATE	APP'D DATE
1		ORIGINAL RELEASE	JWJ 7/13/01	RRR 7/13/01



SECTION A-A



**UNCONTROLLED DOCUMENT  
 WILL NOT BE UPDATED**

<b>RESTRICTED &amp; CONFIDENTIAL</b> CONFIDENTIAL PROPERTY OF DANIELS MANUFACTURING CORP. NOT TO BE DISCLOSED TO OTHERS, REPRODUCED OR USED FOR ANY OTHER PURPOSE, EXCEPT AS AUTHORIZED IN WRITING BY DANIELS MANUFACTURING. MUST BE RETURNED TO DANIELS MANUFACTURING CORP. ON COMPLETION OF ORDER OR OTHER PURPOSE FOR WHICH LENT.	MATERIAL	ITEM	PART NO.	QTY.	DESCRIPTION/REMARKS
	HEAT TREAT	DRN:	J. JOYCE	DATE	7/13/01
		CHK'D:	RRR	DATE	7/13/01
	FINISH	APP'D:	DATE	 DANIELS MANUFACTURING CORP. ORLANDO, FLORIDA CAGE 11851	
APP'D:		DATE			
DO NOT SCALE DRAWING	TITLE		GO/NO-GO GAGE ENVELOPE DRAWING		
WHERE USED		SIZE	SCALE	CAD P/N	SHEET OF
		B	NTS	G697-ENV	1 1
		POSTING	P/N	G697-ENV	REV. 1

# Mouser Electronics

Authorized Distributor

Click to View Pricing, Inventory, Delivery & Lifecycle Information:

[Daniels Manufacturing:](#)

[G697](#)