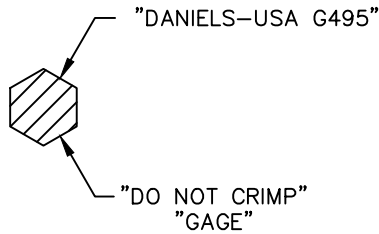


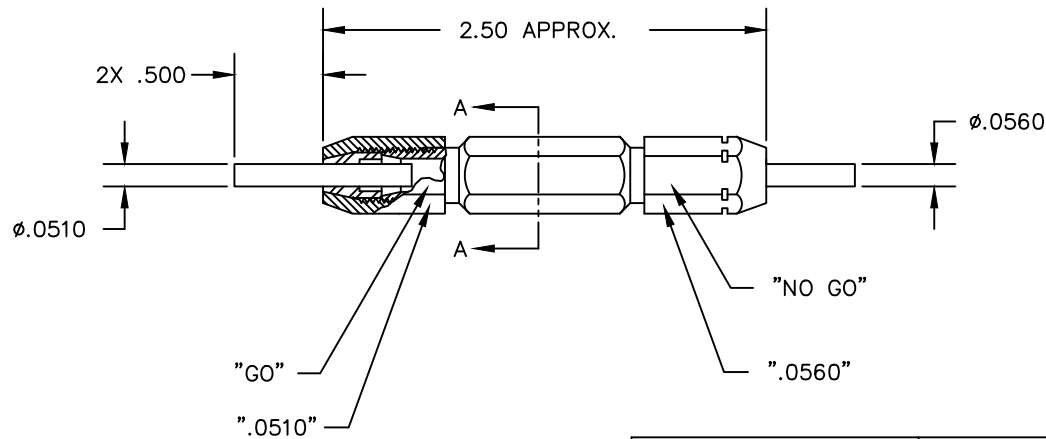
**UNCONTROLLED DOCUMENT
WILL NOT BE UPDATED**

DIMENSIONS IN INCHES - UNLESS OTHERWISE SPECIFIED


REVISIONS				
REV. SYM.	E.C.O. NUMBER	DESCRIPTION	BY DATE	APP'D DATE
1		ORIGINAL RELEASE	K. KOONS 4.22.15	



SECTION A-A



NOTES:

<p>RESTRICTED & CONFIDENTIAL</p> <p>CONFIDENTIAL PROPERTY OF DANIELS MANUFACTURING CORP. NOT TO BE DISCLOSED TO OTHERS, REPRODUCED OR USED FOR ANY OTHER PURPOSE, EXCEPT AS AUTHORIZED IN WRITING BY DANIELS MANUFACTURING. MUST BE RETURNED TO DANIELS MANUFACTURING CORP. ON COMPLETION OF ORDER OR OTHER PURPOSE FOR WHICH LENT.</p>	MATERIAL	N/A	ITEM	PART NO.	QTY.	DESCRIPTION/REMARKS			
	HEAT TREAT	N/A	DRN. K. KOONS	DATE 4.22.15		 <p>DANIELS MANUFACTURING CORP. ORLANDO, FLORIDA GAGE 11851</p>			
	FINISH	N/A	CHK'D.	DATE					
	DO NOT SCALE DRAWING			APP'D.	DATE	TITLE	GO/NO-GO GAGE ENV. DRAWING		
			NOTE:		WHERE USED:				
			THIS DRAWING IS AN OUTLINE DRAWING OF THE RESPECTIVE DMC PART NUMBER INDICATED. ACTUAL DMC PART NUMBER IS DRAWING NUMBER WITHOUT THE "--ENV" SUFFIX		SIZE	SCALE	DWG. NO.	SHEET	OF
					B	NTS	G495-ENV	1	1
					POSTING	P/N	G495	REV.	1

Mouser Electronics

Authorized Distributor

Click to View Pricing, Inventory, Delivery & Lifecycle Information:

[Daniels Manufacturing:](#)

[G495](#)