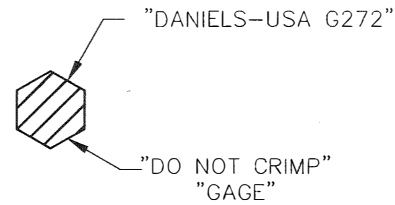
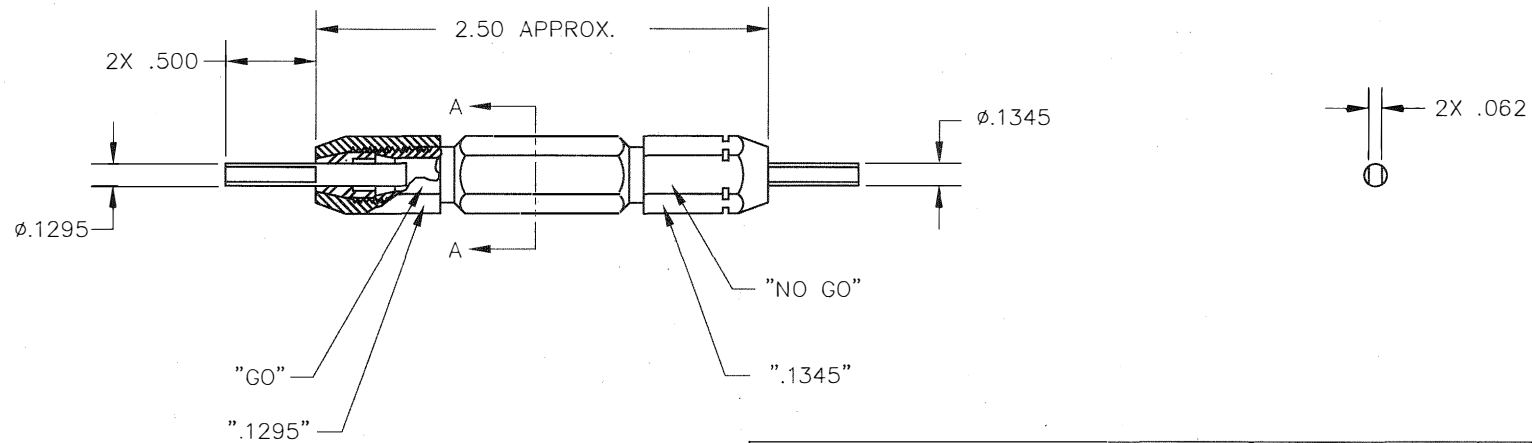


REVISIONS				
REV. SYM.	E.C.O. NUMBER	DESCRIPTION	BY DATE	APP'D DATE
1		ORIGINAL RELEASE	K. KOONS 6.3.08	D. EBY 6.3.08



SECTION A-A

UNCONTROLLED DOCUMENT
WILL NOT BE UPDATED
DIMENSIONS IN INCHES - UNLESS OTHERWISE SPECIFIED



RESTRICTED & CONFIDENTIAL CONFIDENTIAL PROPERTY OF DANIELS MANUFACTURING CORP. NOT TO BE DISCLOSED TO OTHERS, REPRODUCED OR USED FOR ANY OTHER PURPOSE, EXCEPT AS AUTHORIZED IN WRITING BY DANIELS MANUFACTURING. MUST BE RETURNED TO DANIELS MANUFACTURING CORP. ON COMPLETION OF ORDER OR OTHER PURPOSE FOR WHICH LENT.	MATERIAL	ITEM	PART NO.	QTY.	DESCRIPTION/REMARKS
	HEAT TREAT	DRN. KIRK C KOONS	DATE 6.3.08		DANIELS MANUFACTURING CORP. ORLANDO, FLORIDA GAGE 11851
	FINISH	CHK'D. D. EBY	DATE 6.3.08		
	DO NOT SCALE DRAWING		APP'D.	DATE	TITLE
		APP'D.	DATE	WHERE USED:	
		TOLERANCE: UNLESS OTHERWISE SPECIFIED FRACTIONS ±1/32 ANGLES ±1/2° DECIMAL INCHES: .X ±.020 .XX ±.010 .XXX ±.005 .XXXX ±.0005 REMOVE BURRS & BREAK SHARP EDGES .005-.015		SIZE B SCALE NTS POSTING	CAD P/N G272-ENV P/N G272-ENV SHEET 1 OF 1 REV. 1

Mouser Electronics

Authorized Distributor

Click to View Pricing, Inventory, Delivery & Lifecycle Information:

[Daniels Manufacturing:](#)

[G272](#)