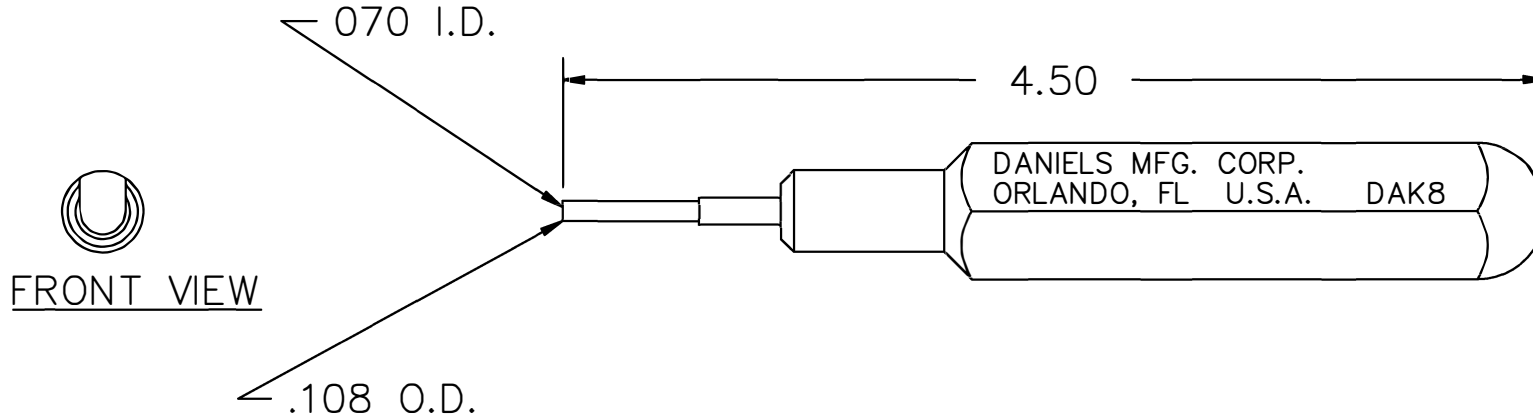



REVISIONS				
REV. SYM.	E.C.O. NUMBER	DESCRIPTION	BY DATE	APP'D DATE
1		ORIGINAL RELEASE	JWJ 12/17/01	RRR 12/17/01
2	21481	ADDED FRONT VIEW	KDH 10/30/09	RRR 10/30/09



NOTES:
1. FRONT VIEW SCALED 3X

<u>RESTRICTED & CONFIDENTIAL</u> CONFIDENTIAL PROPERTY OF DANIELS MANUFACTURING CORP. NOT TO BE DISCLOSED TO OTHERS, REPRODUCED OR USED FOR ANY OTHER PURPOSE, EXCEPT AS AUTHORIZED IN WRITING BY DANIELS MANUFACTURING. MUST BE RETURNED TO DANIELS MANUFACTURING CORP. ON COMPLETION OF ORDER OR OTHER PURPOSE FOR WHICH LENT.	MATERIAL	ITEM	PART NO.	QTY.	DESCRIPTION/REMARKS		
	HEAT TREAT	DRN.	J. JOYCE	DATE	12/17/01	 DANIELS MANUFACTURING CORP. ORLANDO, FLORIDA CAGE 11851	INSTALLING TOOL ENVELOPE DRAWING
		CHK'D.	RRR	DATE	12/17/01		
	FINISH	APP'D.	DATE	TITLE			
APP'D.		DATE	WHERE USED:				
DO NOT SCALE DRAWING	NOTE: THIS DRAWING IS AN OUTLINE DRAWING OF THE RESPECTIVE DMC PART NUMBER INDICATED. ACTUAL DMC PART NUMBER IS DRAWING NUMBER WITHOUT THE "-ENV" SUFFIX.			SIZE	SCALE	CAD P/N	SHEET OF
	POSTING		DAK8-ENV	1	1	DWG. NO.	REV.
		DAK8-ENV				2	

Mouser Electronics

Authorized Distributor

Click to View Pricing, Inventory, Delivery & Lifecycle Information:

[Daniels Manufacturing:](#)

[DAK8](#)