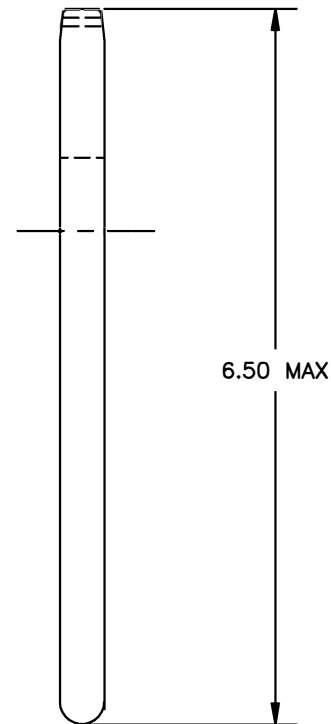


REVISIONS				
REV. SYM.	E.C.O. NUMBER	DESCRIPTION	BY DATE	APP'D DATE
1		ORIGINAL RELEASE	JWJ 5/20/99	RRR 5/20/99
2	21481	"COMPARABLE TO" WAS "EQUIVALENT"	KDH 10/30/09	RRR 10/30/09



**UNCONTROLLED DOCUMENT  
WILL NOT BE UPDATED**

1. COMPARABLE TO AMP 69421. ②

NOTES:

RESTRICTED & CONFIDENTIAL		MATERIAL	ITEM	PART NO.	QTY.	DESCRIPTION/REMARKS
CONFIDENTIAL PROPERTY OF DANIELS MANUFACTURING CORP. NOT TO BE DISCLOSED TO OTHERS, REPRODUCED OR USED FOR ANY OTHER PURPOSE, EXCEPT AS AUTHORIZED IN WRITING BY DANIELS MANUFACTURING. MUST BE RETURNED TO DANIELS MANUFACTURING CORP. ON COMPLETION OF ORDER OR OTHER PURPOSE FOR WHICH LEVEL.		HEAT TREAT	DRN.	J. JOYCE	DATE	5/20/99
			CHK'D.	RRR	DATE	5/20/99
			APP'D.		DATE	
			APP'D.		DATE	
DO NOT SCALE DRAWING		FINISH	NOTE:			<b>DMC</b> DANIELS MANUFACTURING CORP. ORLANDO, FLORIDA CAGE 11851  TITLE INSERTION TOOL ENVELOPE DRAWING  WHERE USED: SIZE B SCALE NTS CAD P/N DAK627 ENV SHEET 1 OF 1 POSTING DWG. NO. DAK627-ENV REV. 2
			THIS DRAWING IS AN OUTLINE DRAWING OF THE RESPECTIVE DMG PART NUMBER INDICATED. ACTUAL DMG PART NUMBER IS DRAWING NUMBER WITHOUT THE "-ENV" SUFFIX.			

# Mouser Electronics

Authorized Distributor

Click to View Pricing, Inventory, Delivery & Lifecycle Information:

[Daniels Manufacturing:](#)

[DAK627](#)